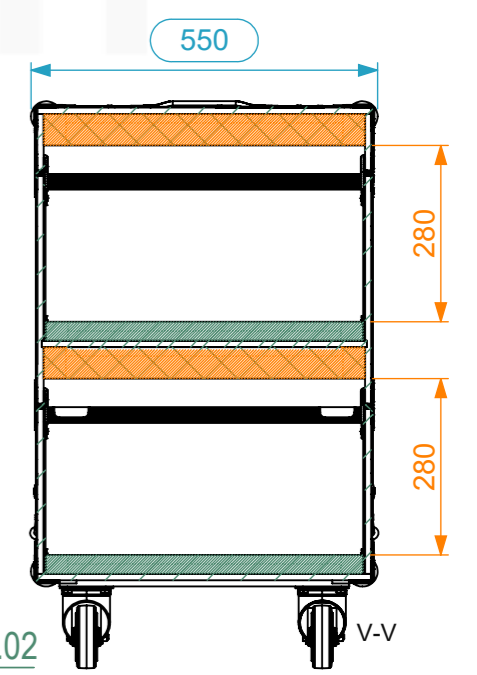
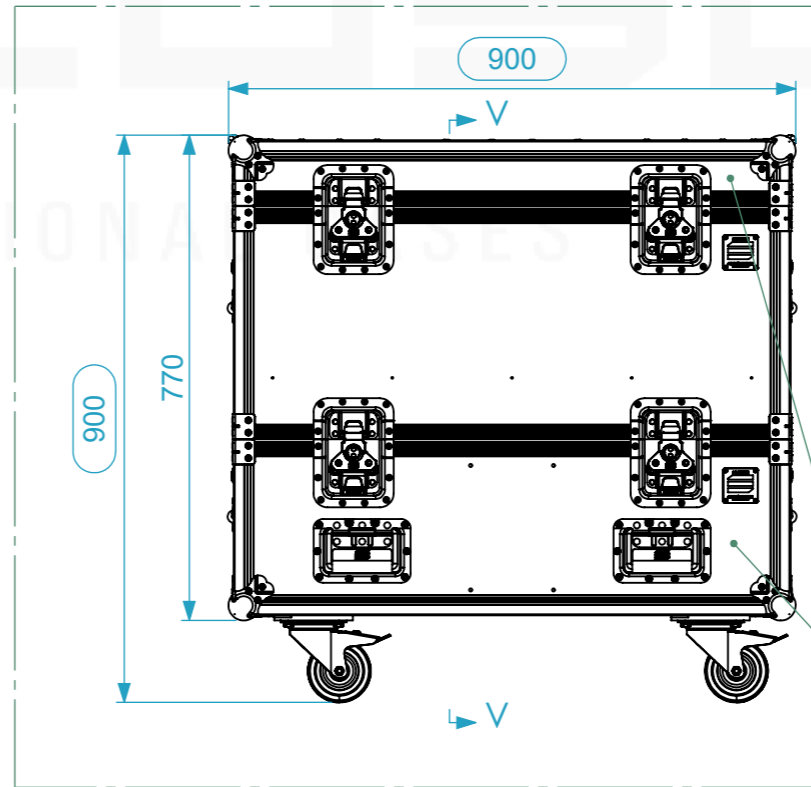
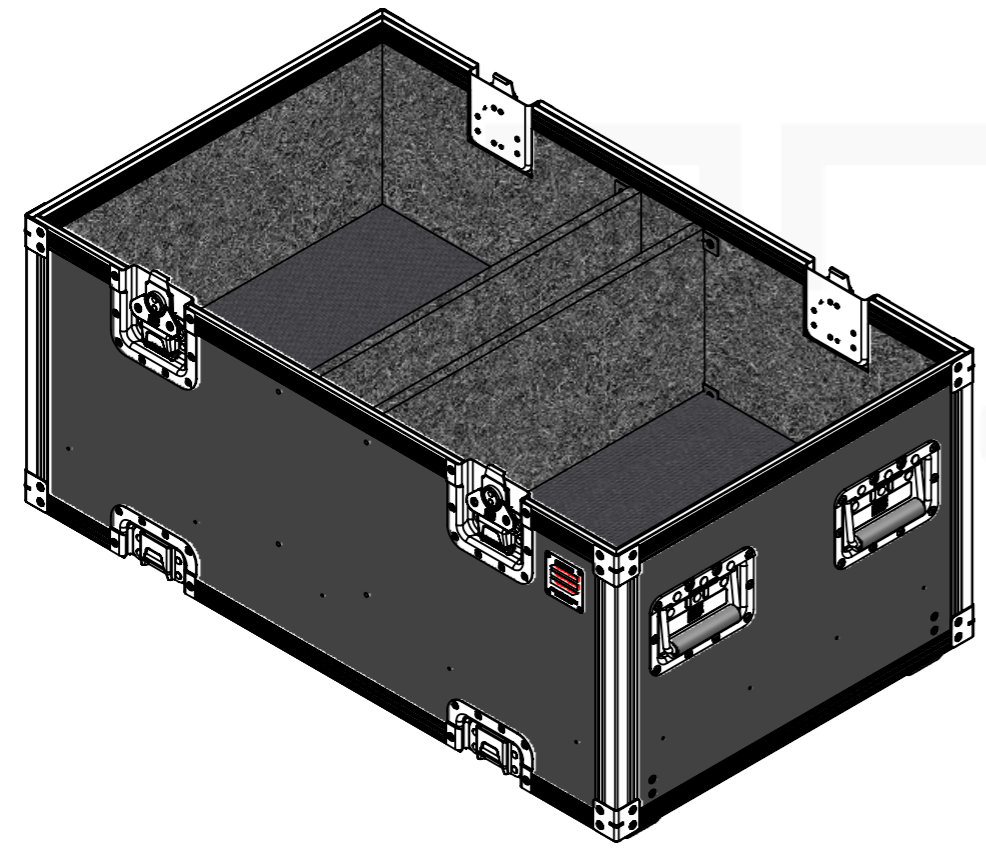
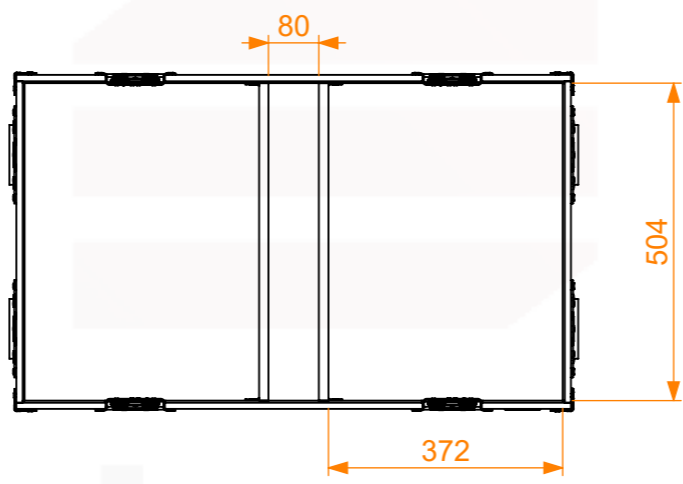
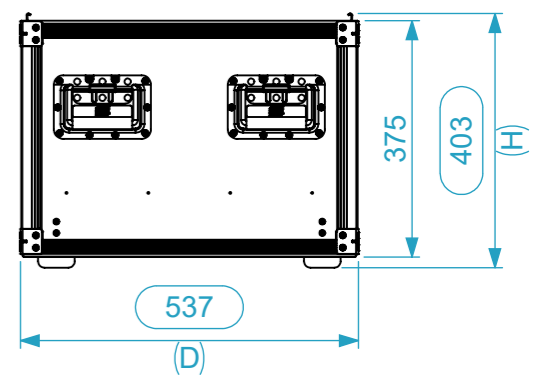
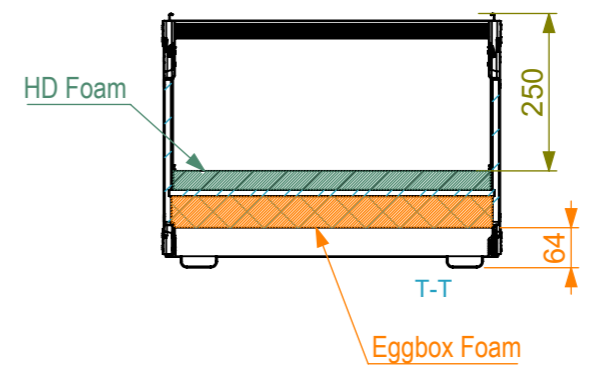
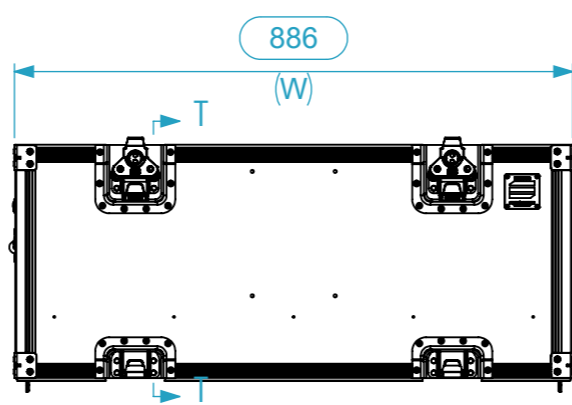


Internal Dimensions		
Width	Depth	Height
372	504	250
Weight	Approx. 28 Kg	
Wall Thickness	10mm	



Optional:  
LSP2S.0905540.02

General External Dimensions		Usable Inner Dimensions	
W	Width	Wi	Inside Width
D	Depth	Di	Inside Depth
H	Height	Hi	Inside Height

A3 This drawing must not be copied or disclosed without consent of the owner

1st Angle projection

Scale 1:12  
units in mm DO NOT SCALE  
general tolerance 0.8mm

Drawn by projects  
Reference LSP2S.0804840.02P1  
Date 27/02/2025



Extensão para FC X13H