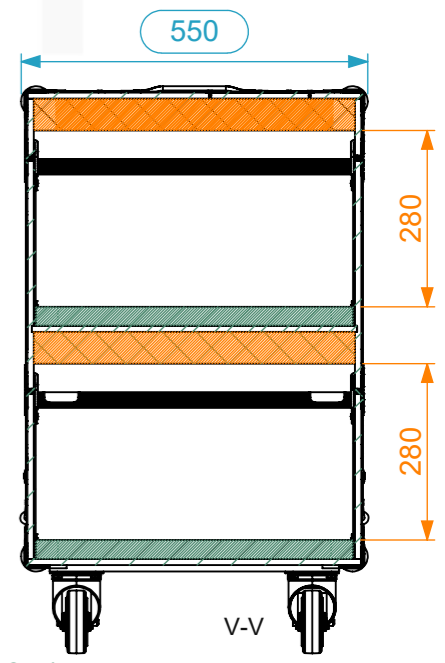
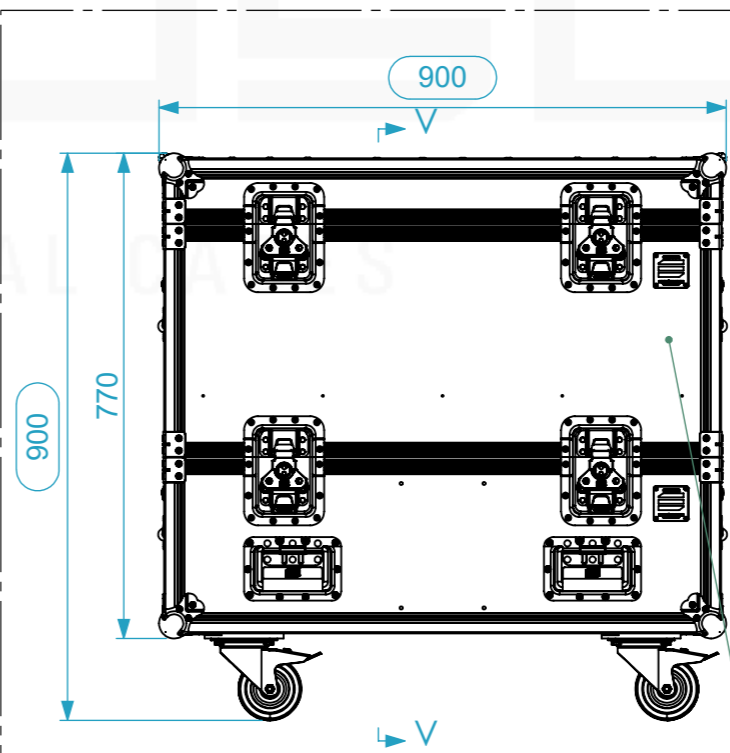
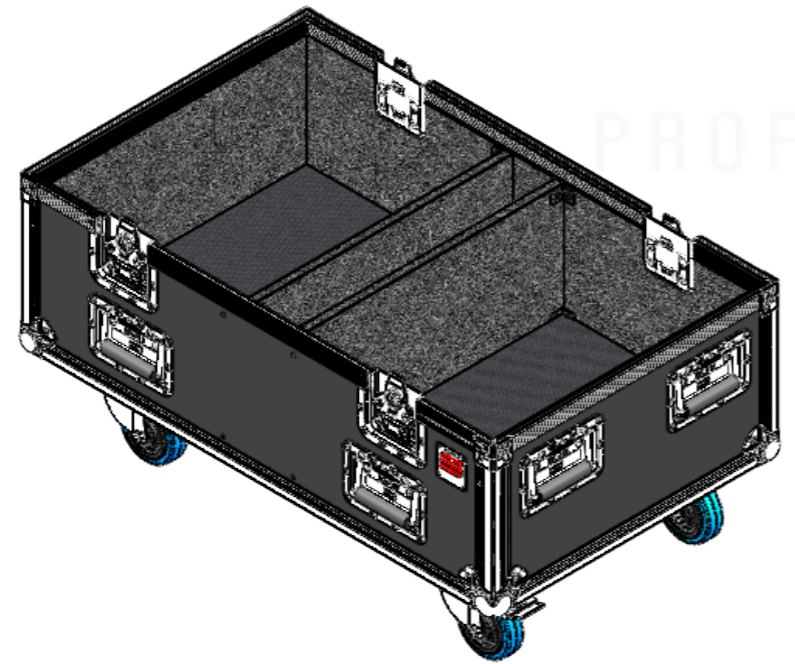
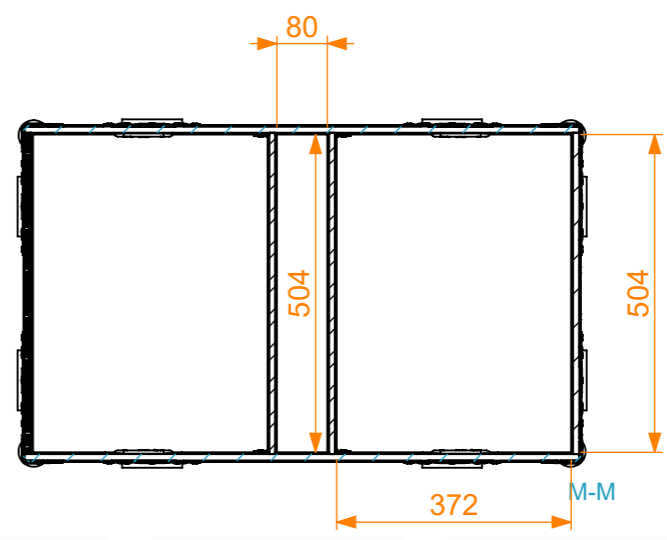
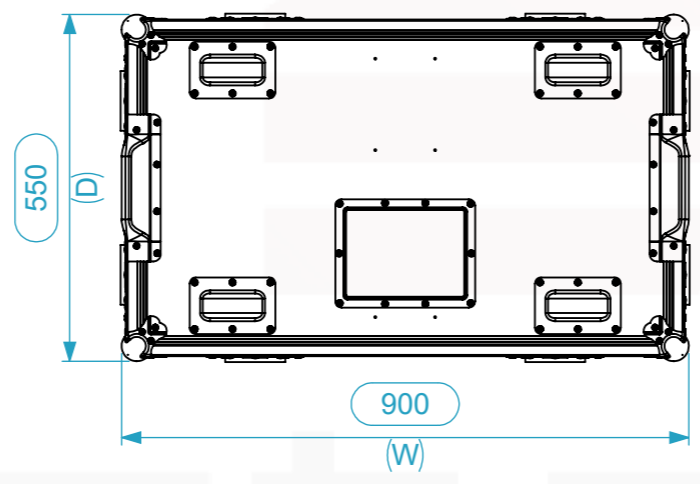
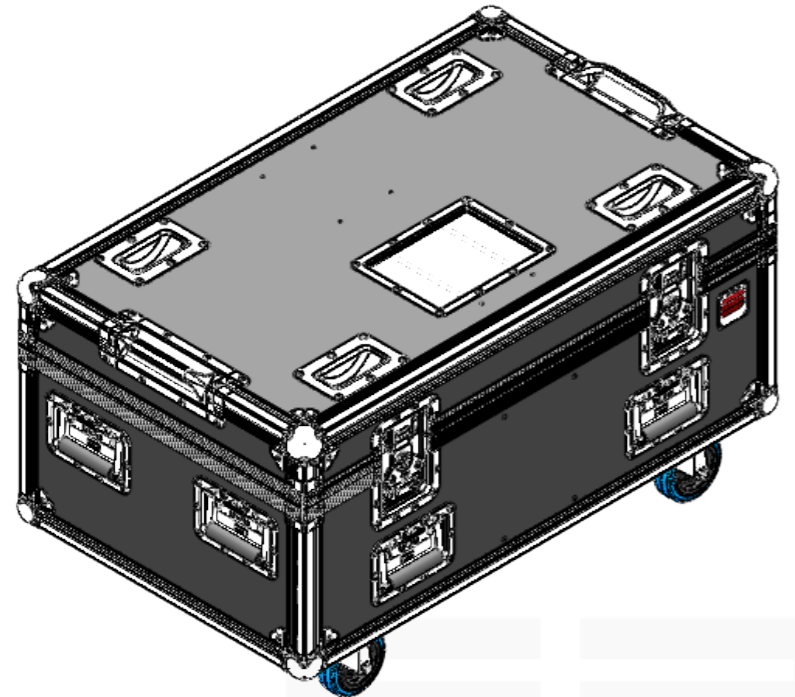
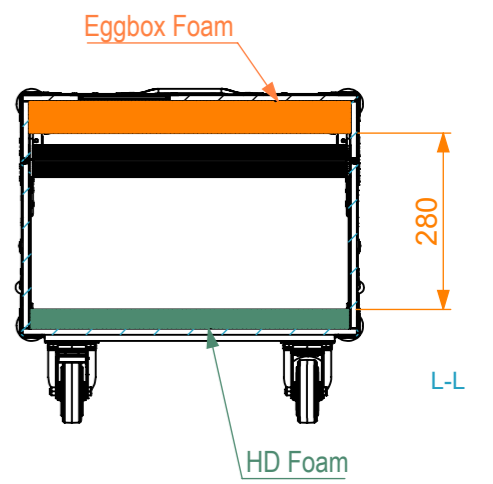
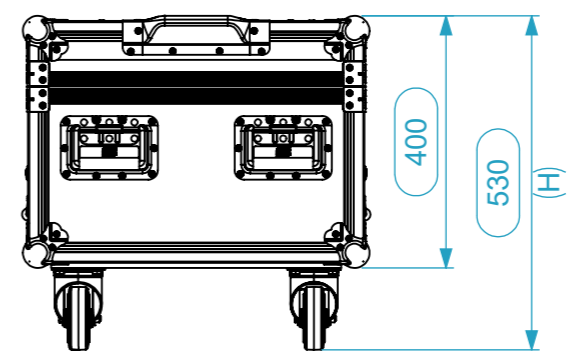
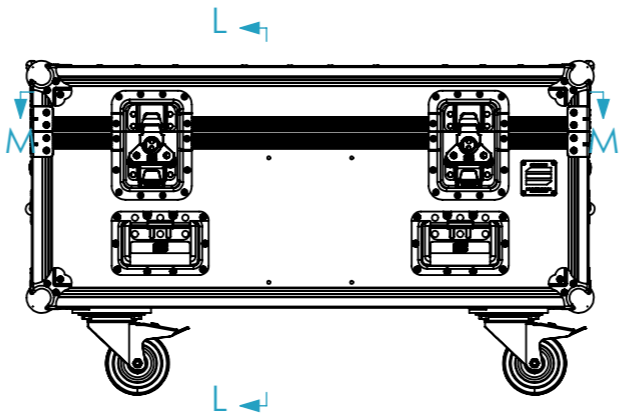


Internal Dimensions		
Width	Depth	Height
504	372	280
FC Weight	Approx. 32 Kg	
Wall Thickness	10mm	



Optional:
LSP2S.0905540.02P1

General External Dimensions		Usable Inner Dimensions	
W	Width	Wi	Inside Width
D	Depth	Di	Inside Depth
H	Height	Hi	Inside Height

Name	Date
Drawn by	projects
Reference	LSP2S.0905540.02
Scale	1:12
units in mm	general tolerance 0.8mm
DO NOT SCALE	
1st Angle projection	Flight case PRO-AS



This drawing must not be copied or disclosed without consent of the owner

A3