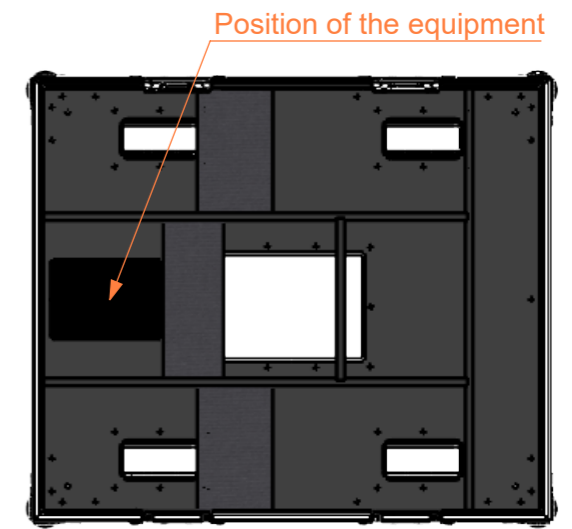
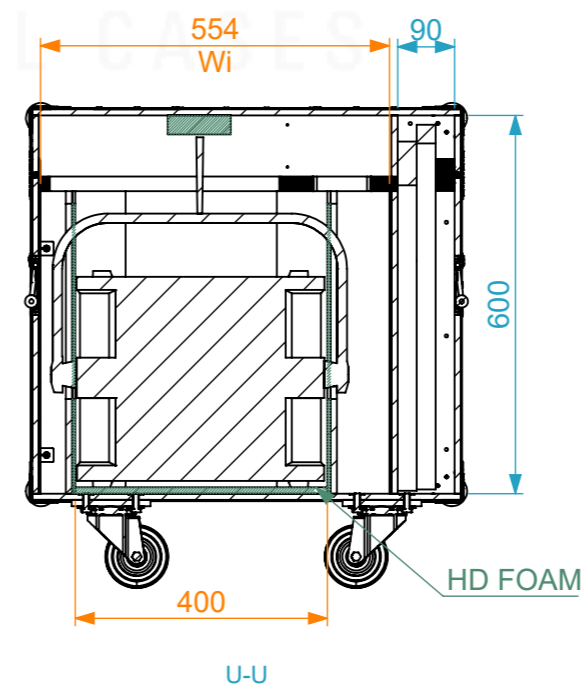
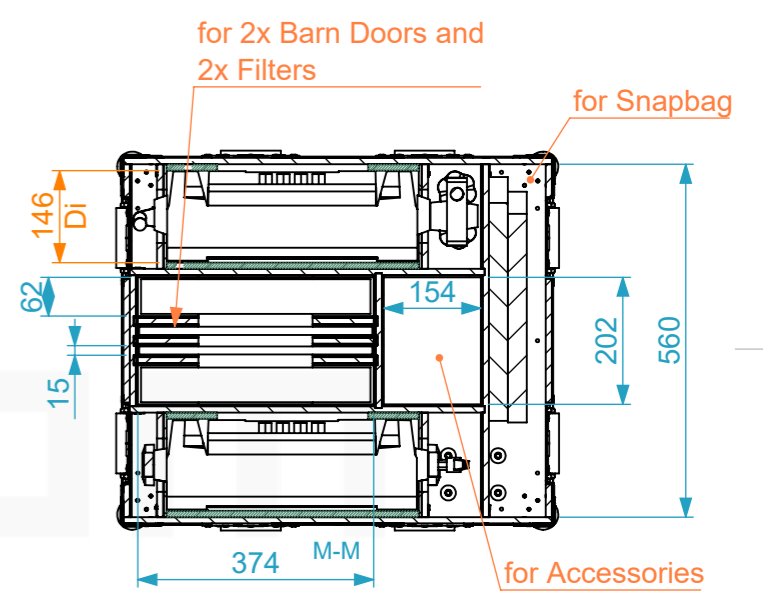
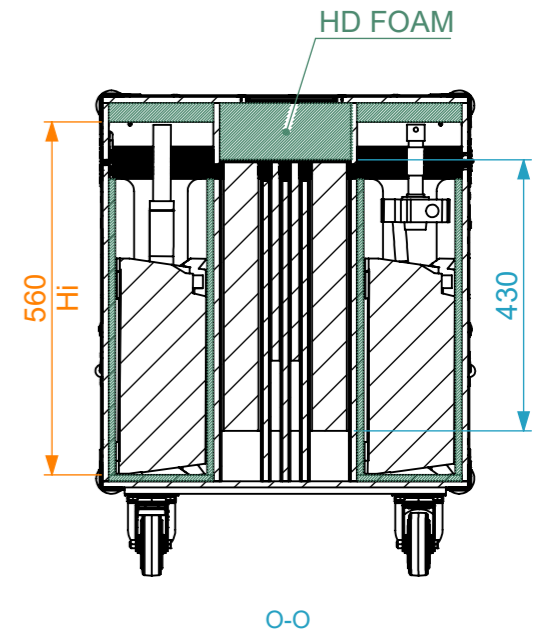
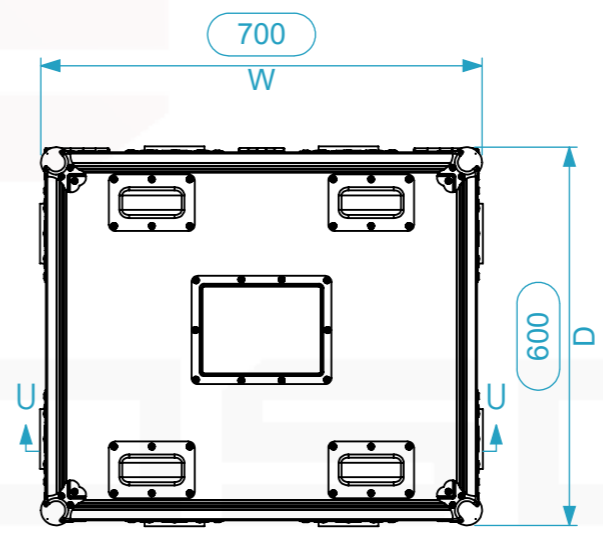
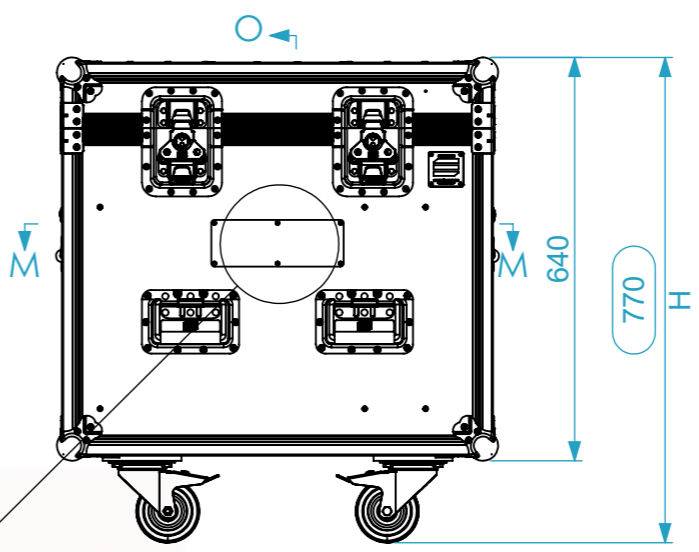
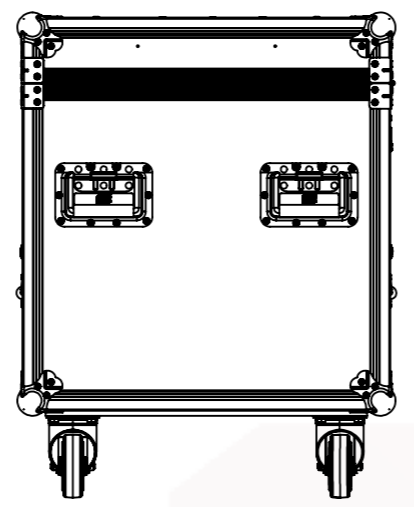
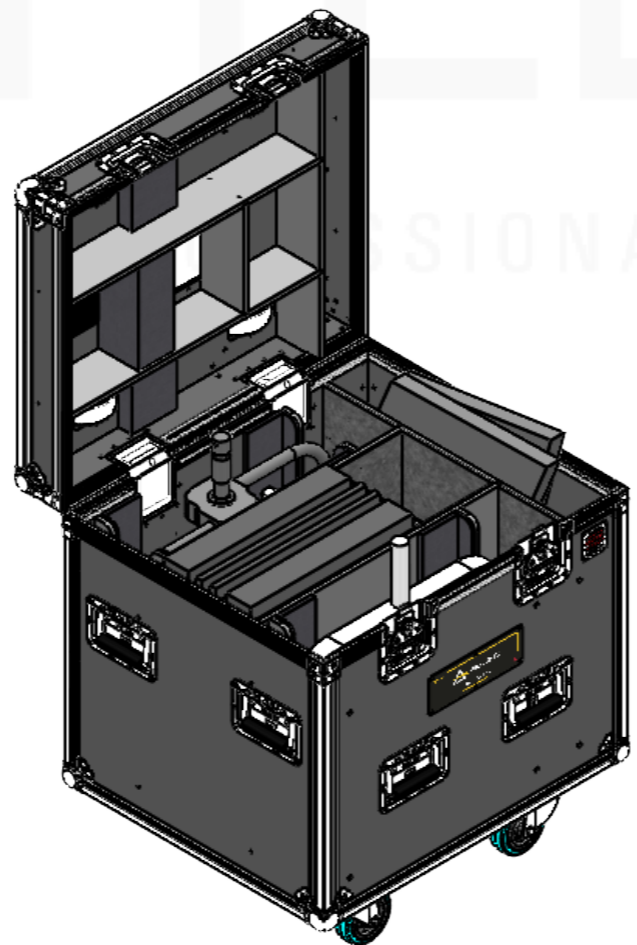
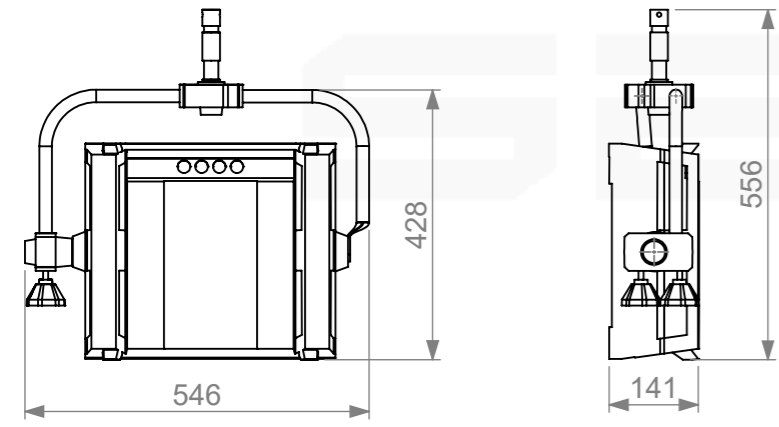
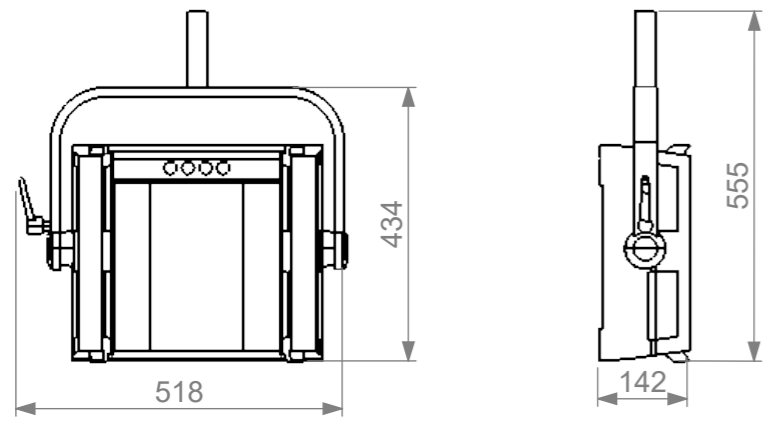


Equipment			PROLIGHTS EciPanel IPSoft1x1		
Width	Depth	Height			
529	443	142			
Weight	Approx. 12 Kg				
Internal Dimensions					
Width	Depth	Height			
554	146	560			
Weight	Approx. 43.36 Kg				
Wall Thickness					10mm



General External Dimensions		Usable Inner Dimensions	
W	Width	Wi	Inside Width
D	Depth	Di	Inside Depth
H	Height	Hi	Inside Height

This drawing must not be copied or disclosed without consent of the owner

Name	Date
rita.monteiro	18/05/2026
Reference	LSP2.PRLIPS1X1.02
Scale	1:12
units in mm	general tolerance 0.8mm
DO NOT SCALE	
Flight case PRO 2x PROLIGHTS EciPanel IPSoft1x1	



A3

