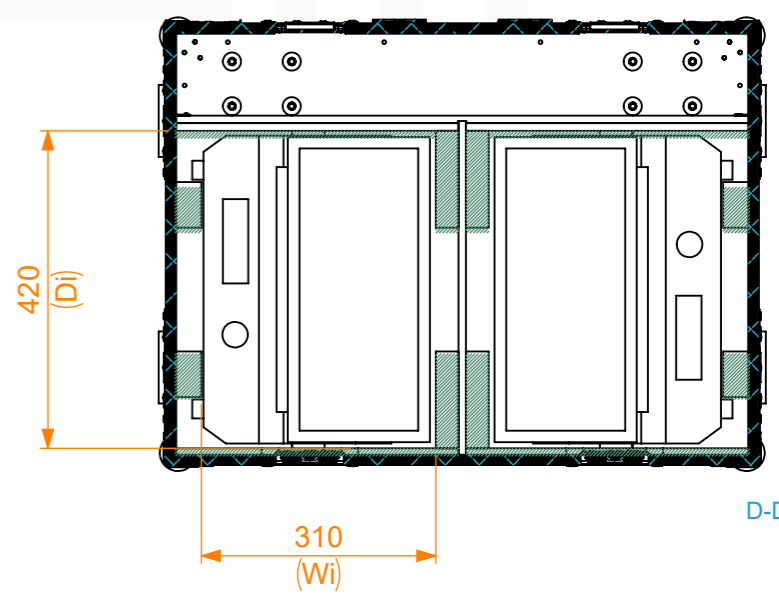
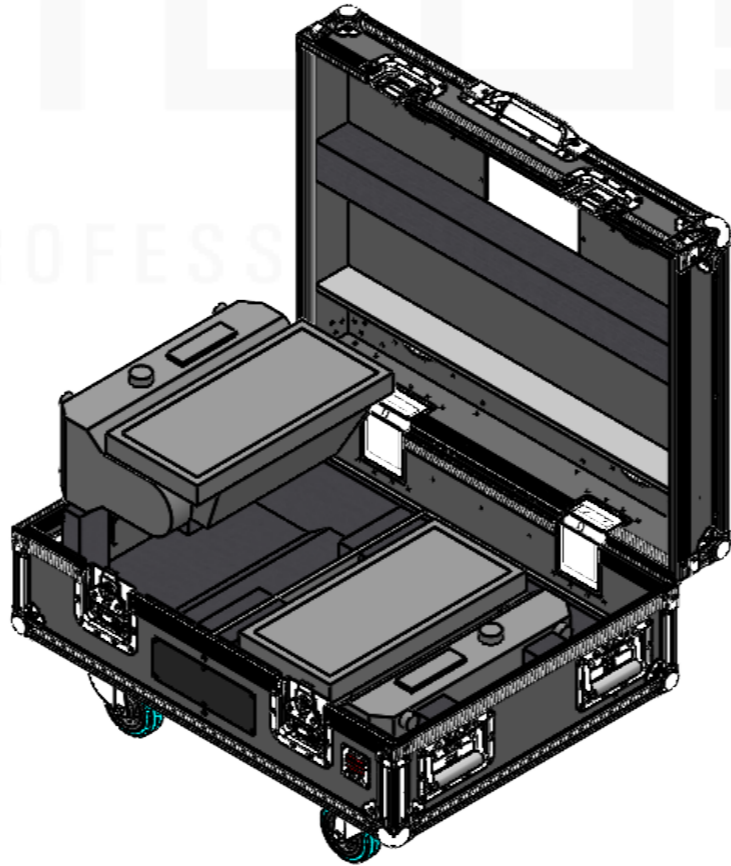
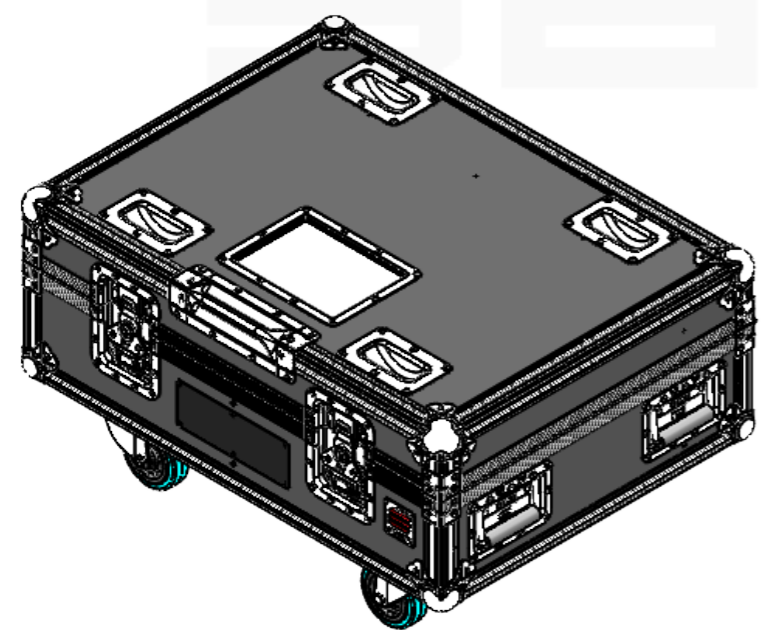
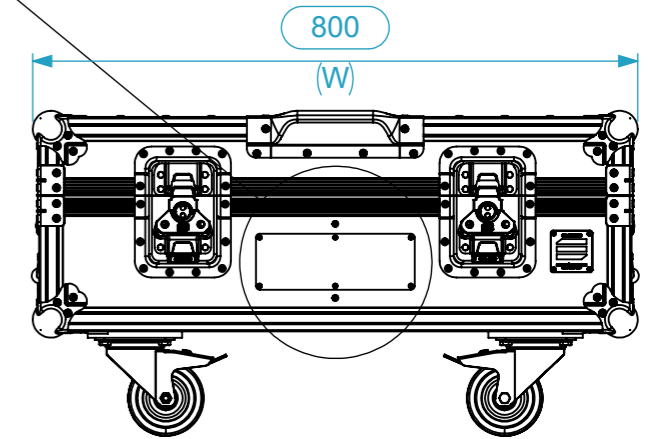
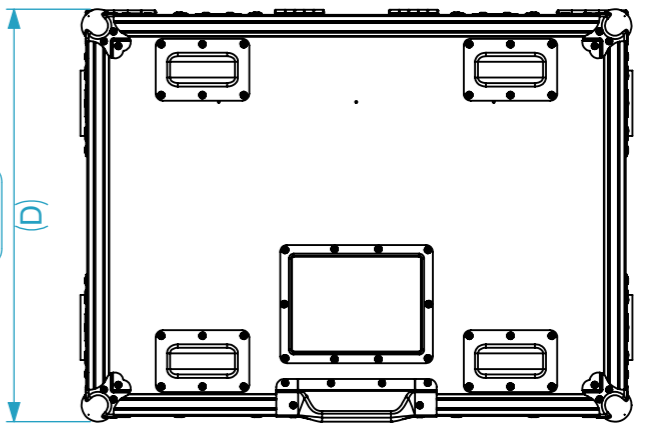
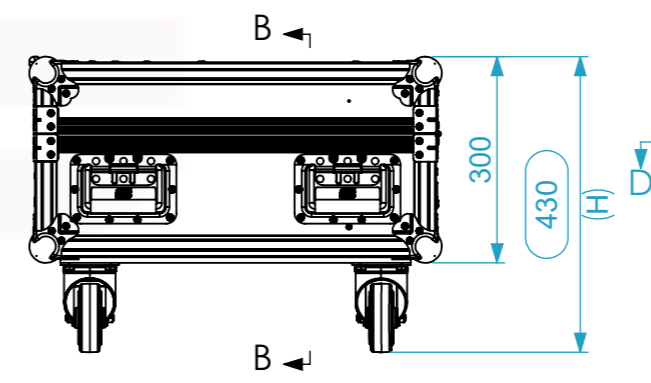
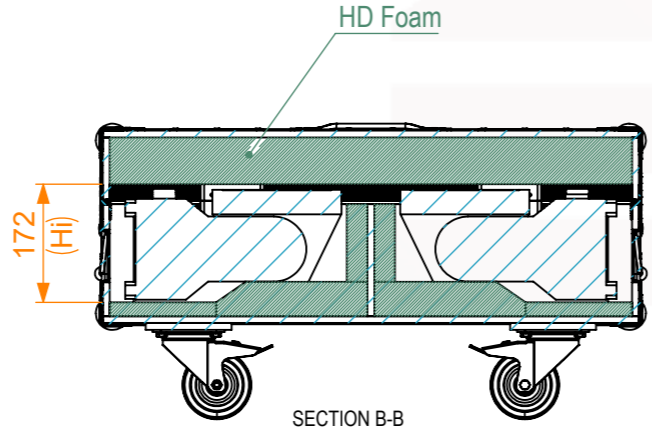
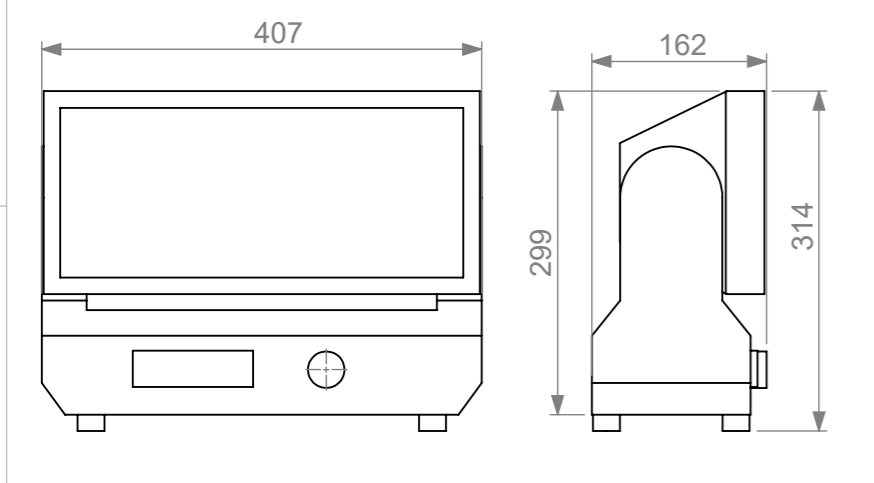


Equipment	Chauvet Strike M	
Width	Depth	Height
407	162	314
Weight	Approx. 12 Kg	
Internal Dimensions		
Width	Depth	Height
310	420	172
Weight	Approx. 26 Kg	
Wall Thickness	mm	



General External Dimensions		Usable Inner Dimensions	
W	Width	Wi	Inside Width
D	Depth	Di	Inside Depth
H	Height	Hi	Inside Height

A3 This drawing must not be copied or disclosed without consent of the owner

Drawn by	Name	Date
tiago.pais	tiago.pais	09/06/2026
Reference	LSP2.CHVSTKM.02A	
Scale	units in mm	general tolerance
1:1	DO NOT SCALE	0.8mm
1st Angle projection	Flight Case PRO, 2x Chauvet Strike M	

