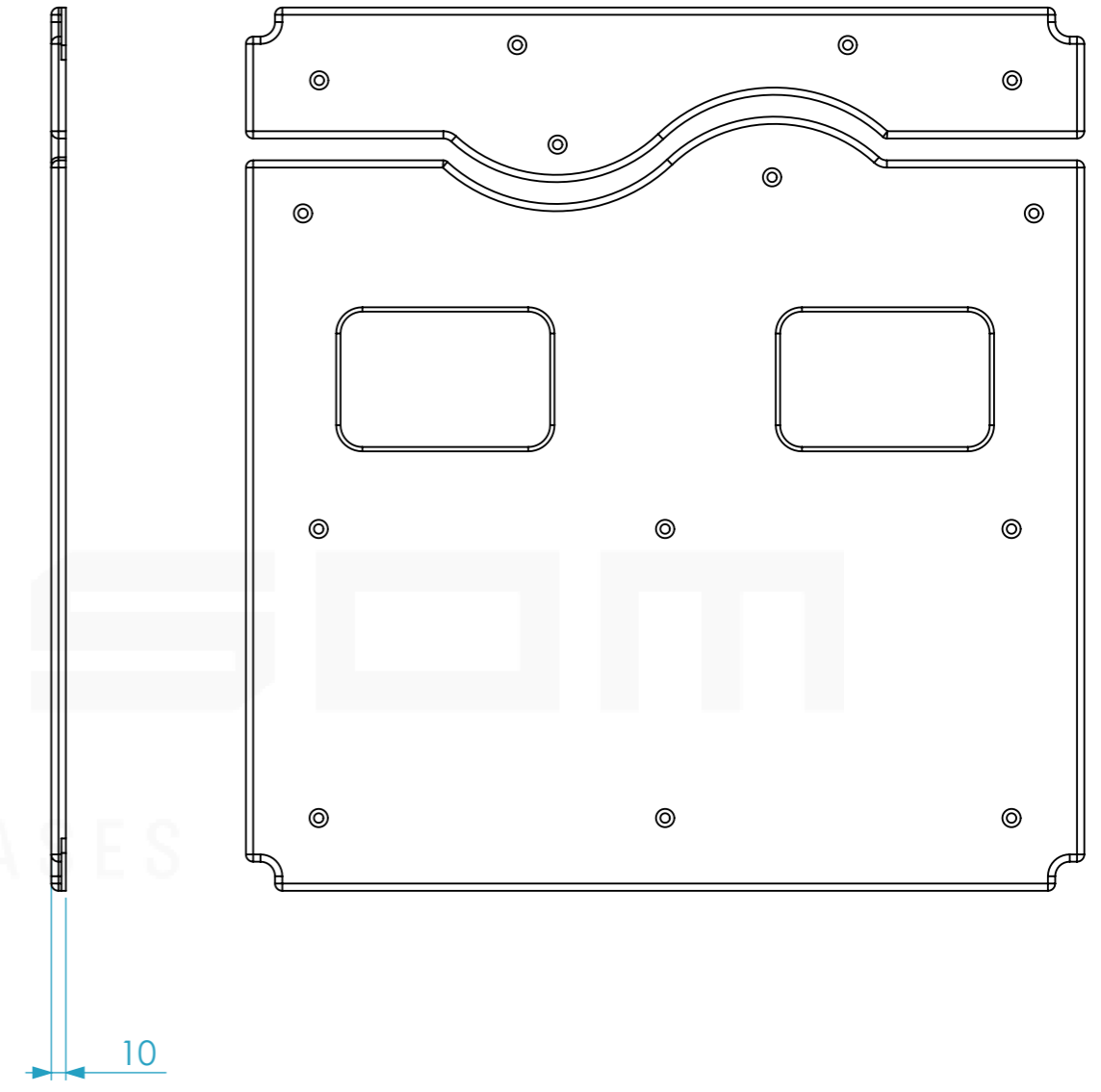
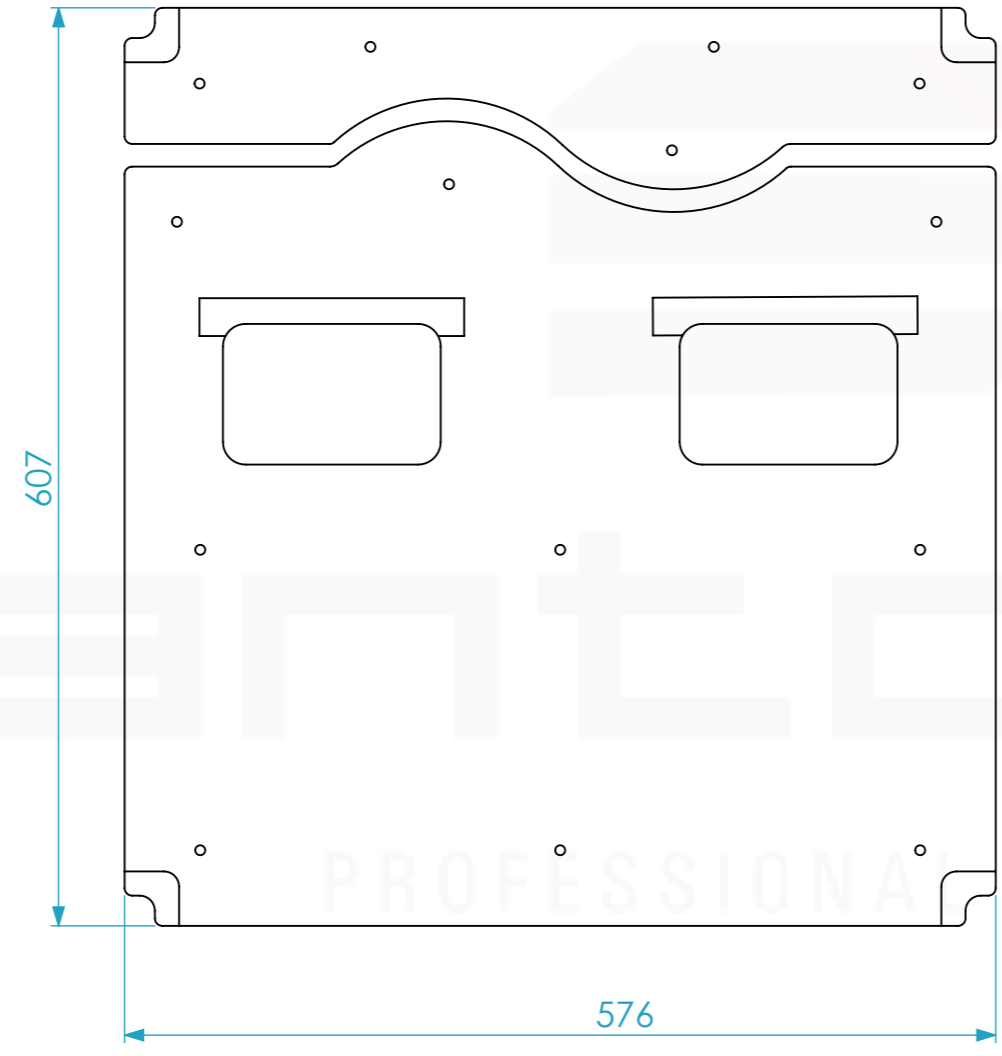
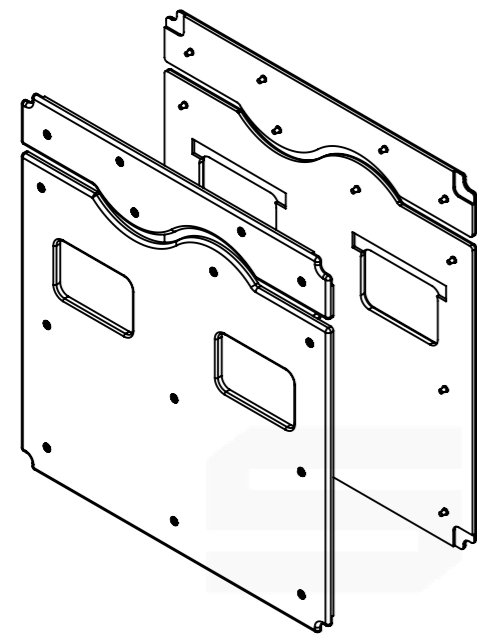


### Dimensions

<b>Width</b>	<b>Depth</b>	<b>Height</b>
576	607	-
<b>Weight</b>	Approx. 6.07Kg	
<b>Wall Thickness</b>		10mm



### Lista Acessórios

Qty	Designação	Ref.
28	PARAFUSO EMB. SEXT.INT.M6X30 OXI	DIN7991.M62 0.OX
28	PORCA BUSSOLA, AÇO M6X13 - ZINCADO	DIN0935.M61 3.ZC

This drawing must not be copied or disclosed without consent of the owner

Drawn by	Name	Date
CarlaSilva	CarlaSilva	24/01/2018
Reference	LMLR.01	
Scale	units in mm	general tolerance
1:5	DO NOT SCALE	0.8mm
PE HD KIT LATERAL FOR MLR		

