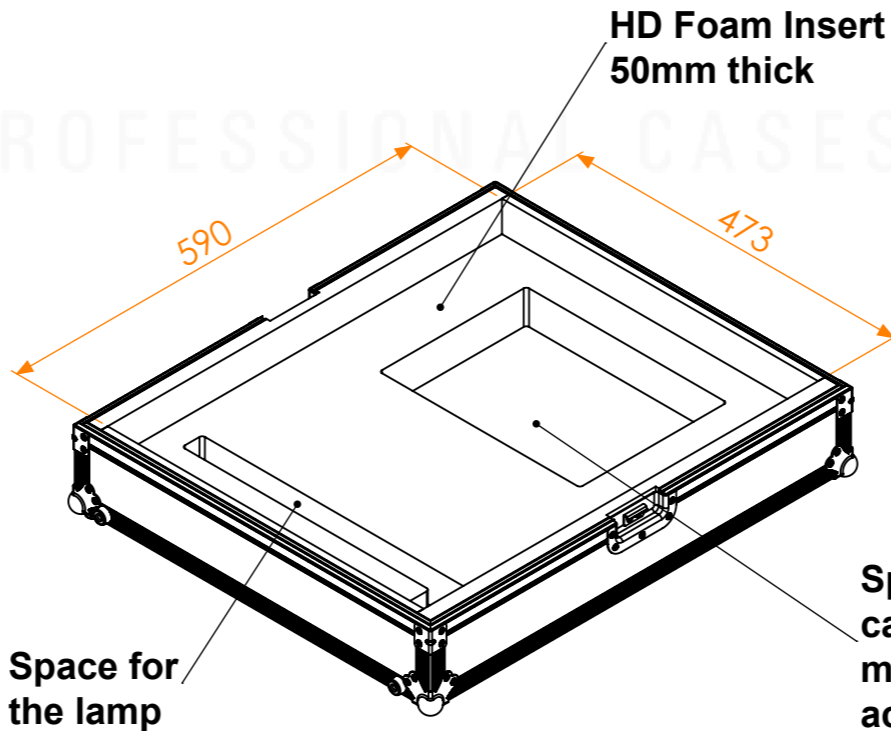
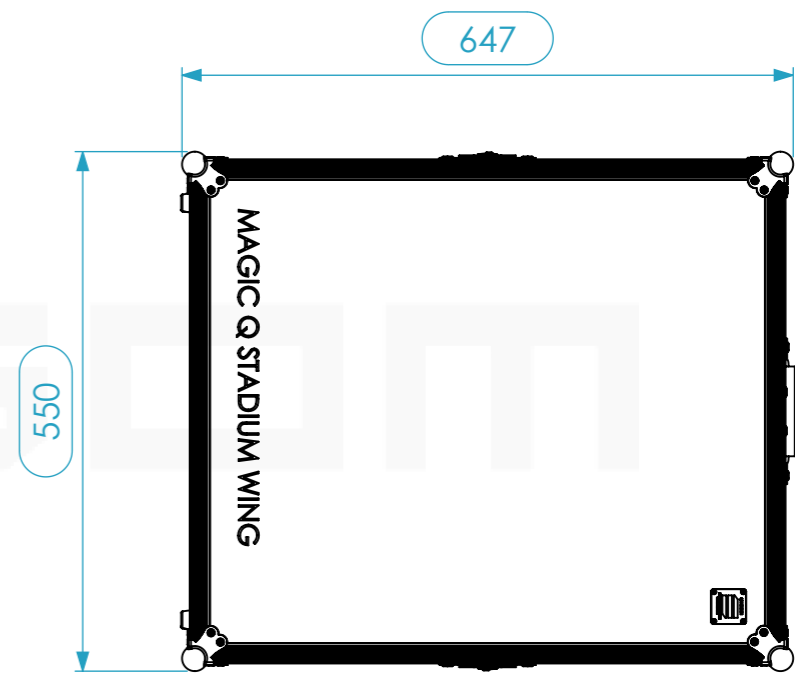
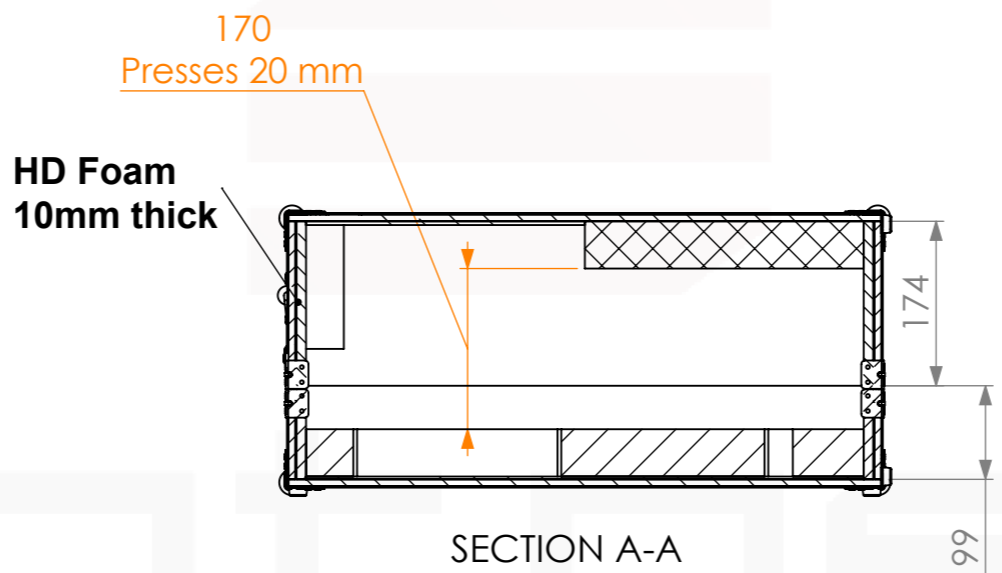
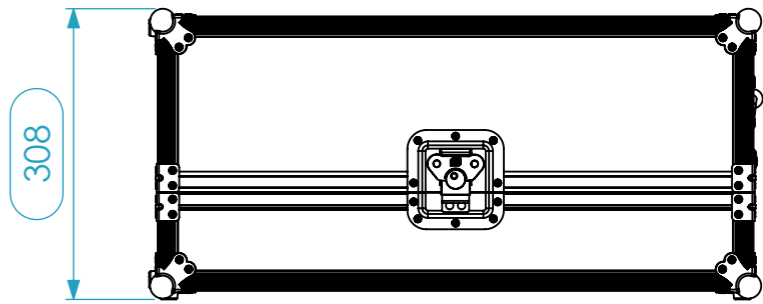
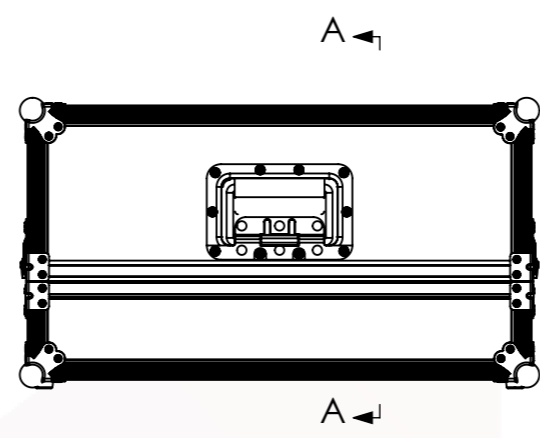
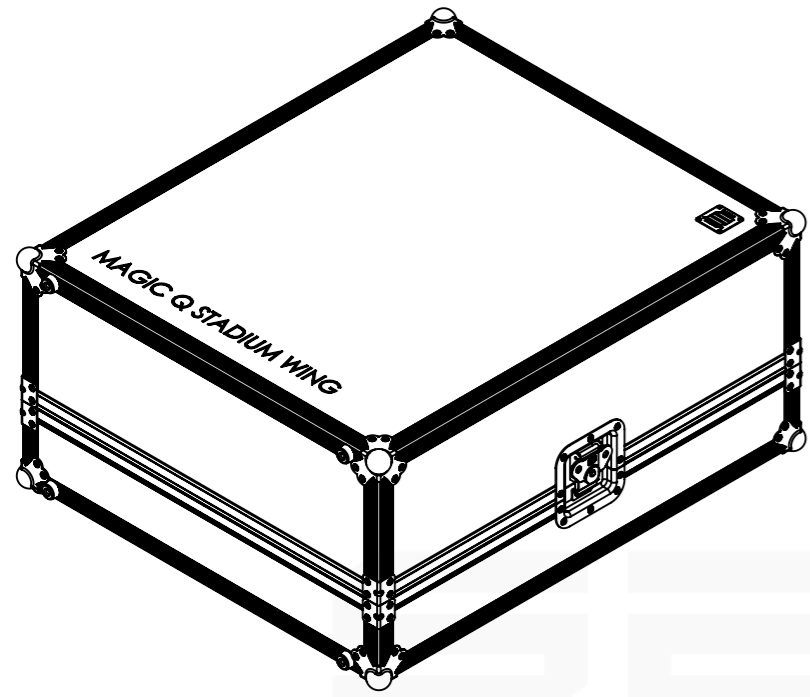


Equipment		
CHAMSYS MAGIC Q STADIUM WING		
Width	Depth	Height
587	471	190
Internal Dimensions		
Width	Depth	Height
550	473	170
Weight	Approx. 7 Kg	
Wall Thickness	7mm	



Space for the lamp

Space for cables / manual / accessories

Drawn by	Name	Date
CarlaSilva	CarlaSilva	09/01/2019
Reference	LMIXER.304	
Scale	units in mm	general tolerance
1:8	DO NOT SCALE	0.8mm
FLIGHTCASE, CHAMSYS MAGIC Q STADIUM WING		



This drawing must not be copied or disclosed without consent of the owner



A3