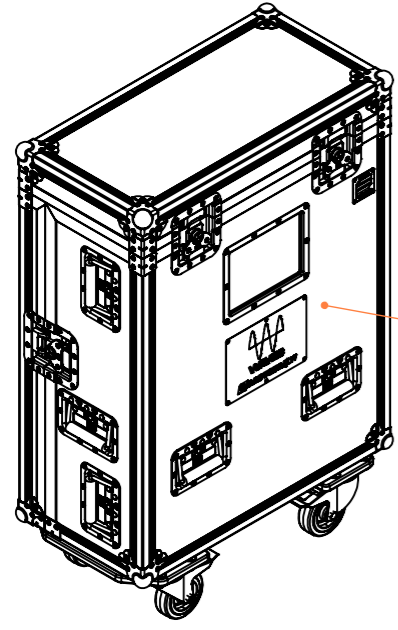
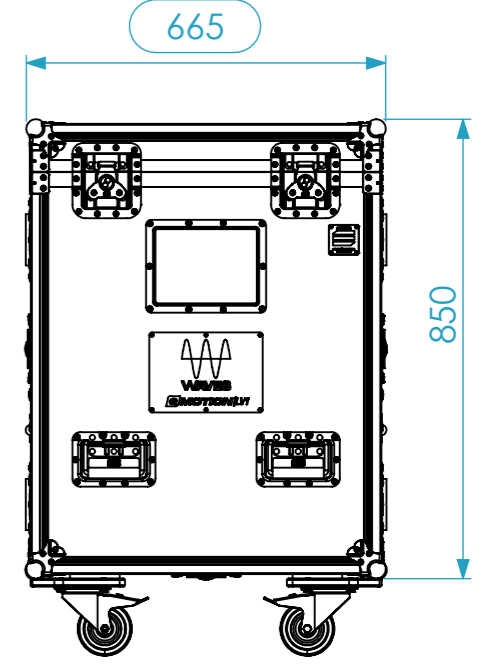
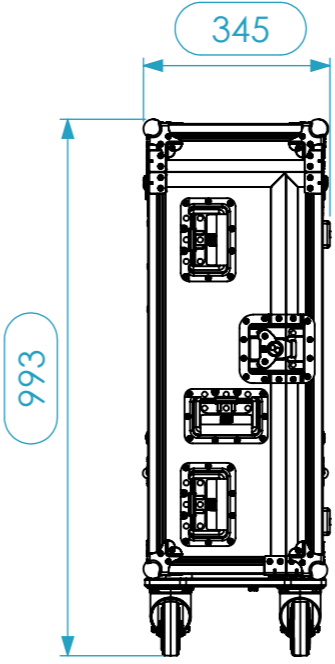
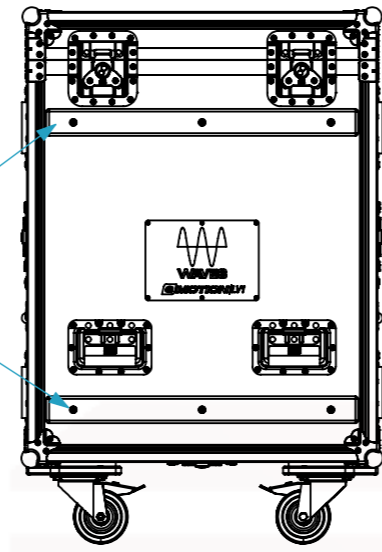


<b>Equipment</b>	Dell P2418HT	
<b>Width</b>	<b>Depth</b>	<b>Height</b>
538	323	54
<b>Weight</b>	Approx. 47 Kg	
<b>Wall Thickness</b>	10mm	

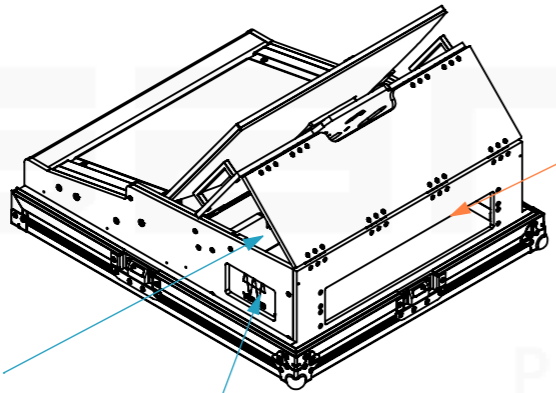
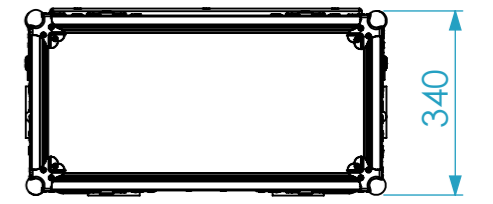


**Flight Case  
LMIXER.301.A10**

**Plastic Feet**



**Suitable for:  
Dell P2418HT monitors  
Dimensions(WxDxH):538x323x54**

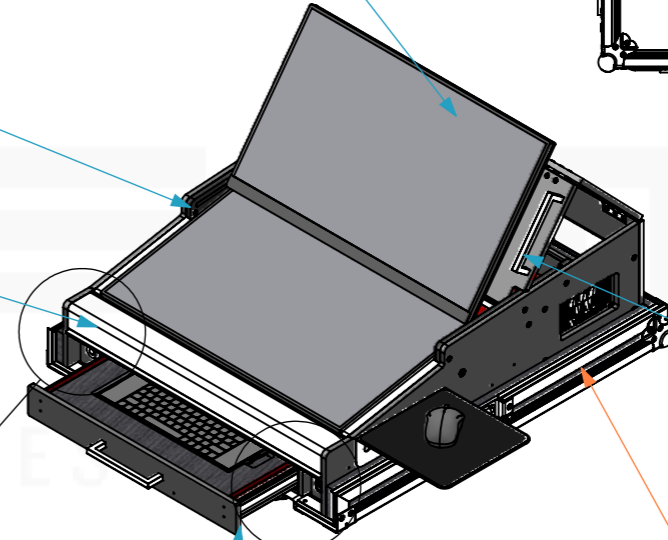


**Compartment for CPU,  
wiring and electrical  
connections  
Dimensions (WxDxH):  
550x273x180**

**Cut-out for 2U  
connection  
panel**

**Sliding rail  
with 2 stop  
positions**

**Leather  
Palm Rest**



**Handles to  
lift the  
system**

**Removable mouse  
support: SUPORTE.1031**

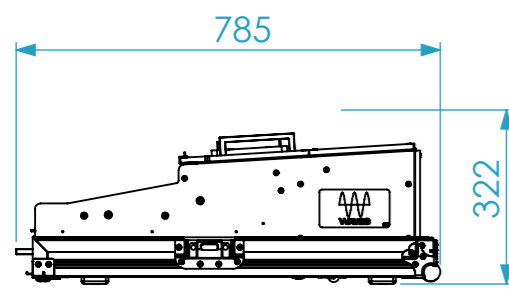
**LED Backlit  
panel  
(decorative)**

**Aluminum  
profile with  
LED Lighting**

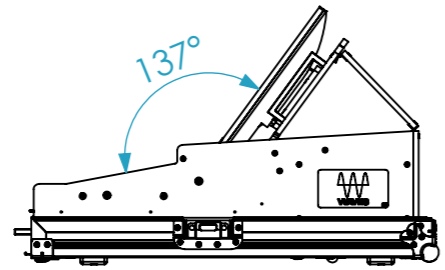
**LED Lighting  
Dimmer**

**Drawer for  
keyboard  
and mouse**

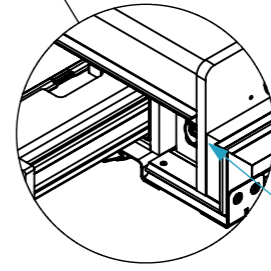
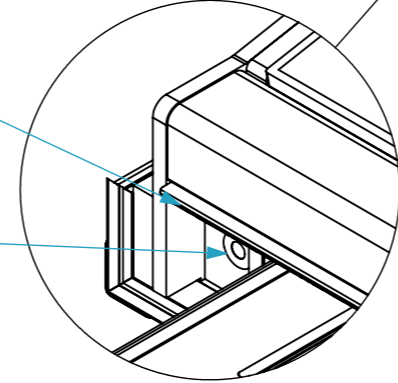
**USB 3.0  
Connector**



**Closed**



**Open**



Name	Date
Drawn by paula.almeida	25/11/2022
Reference	LMIXER.301
Scale	1:14
units in mm	general tolerance 0.8mm
DO NOT SCALE	
Flight case PRO3. Waves LV1 (2 touchscreens 24")	



This drawing must not be copied or disclosed without consent of the owner

A3

