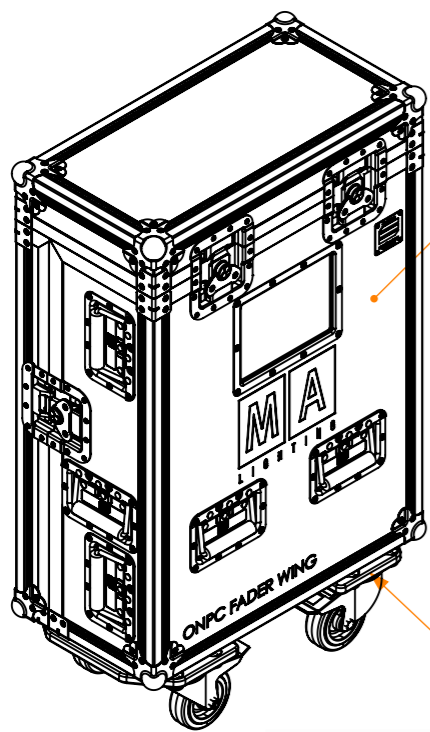


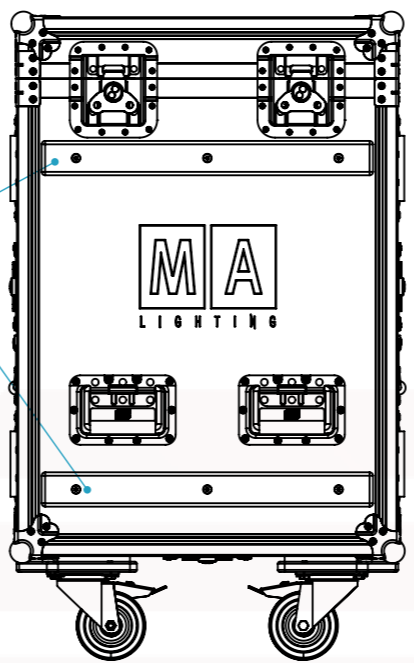
Equipment	MA onPC Fader Wing	
Width	Depth	Height
536	395	70
Weight	Approx. 37 Kg	
Wall Thickness	10mm	



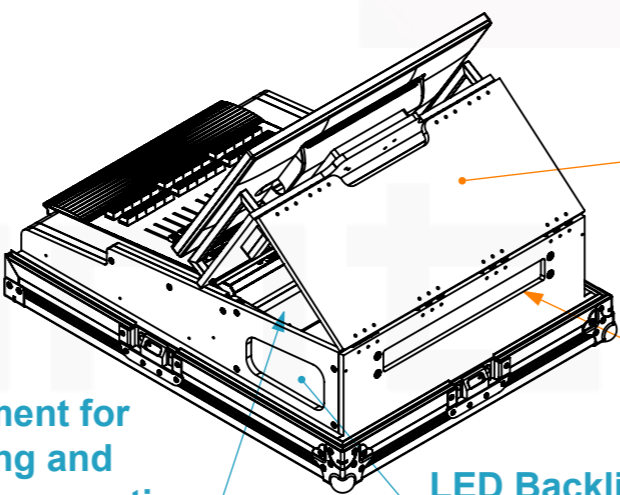
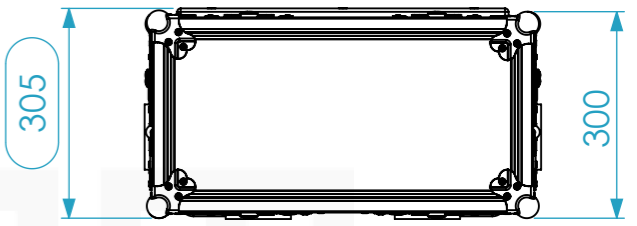
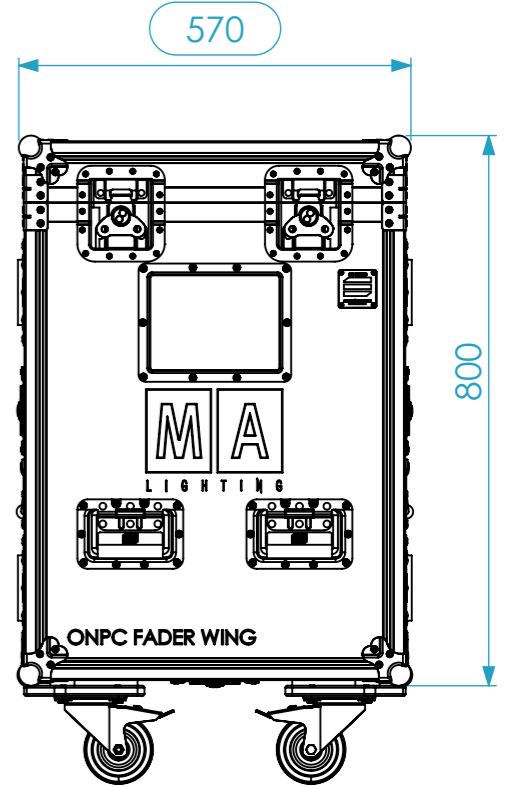
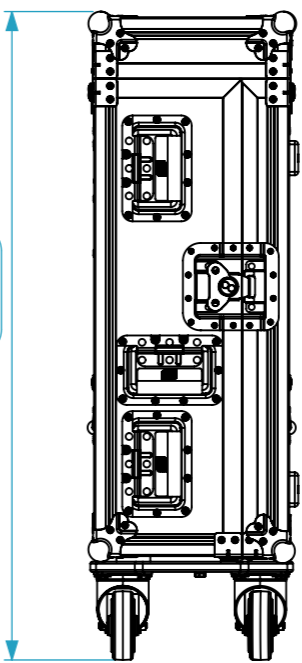
Flight Case
X13M.0573080

SKATE
R3.030A

Plastic Feet



943



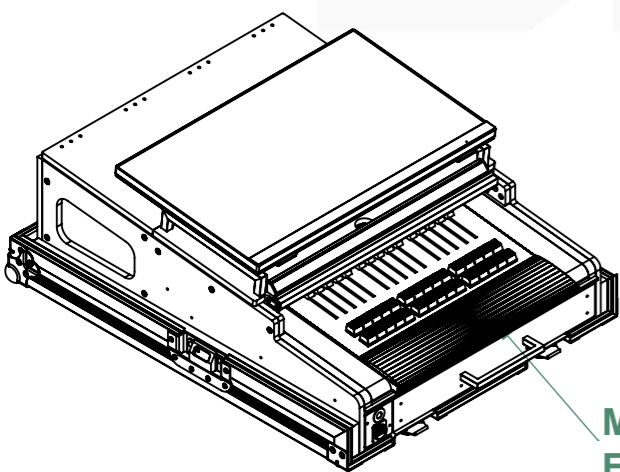
Mixing Console Compartment
LMIXER.286.A00

Optional Connection panel
LMIXER.284.A01

Compartment for CPU, wiring and electrical connections
Dimensions(WxDxH): 476x250x165

LED Backlit panel (decorative)

LCD
Max. Dimensions (WxDxH): 490x50x300

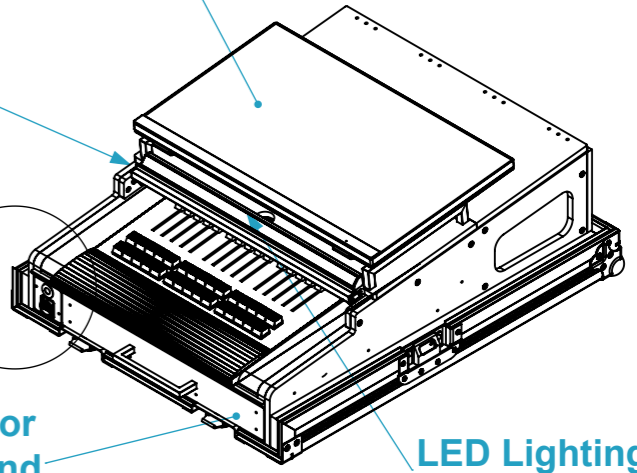


MA OnPC Fader Wing

HD Foam on both sides

Sliding rail with 3 stop positions

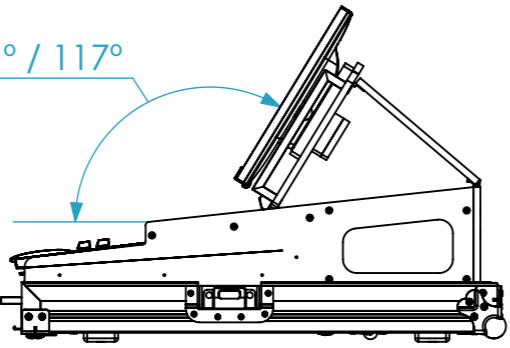
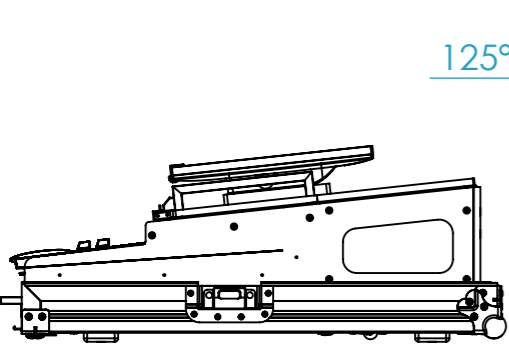
Aluminum profile with LED Lighting



Drawer for cables and accessories

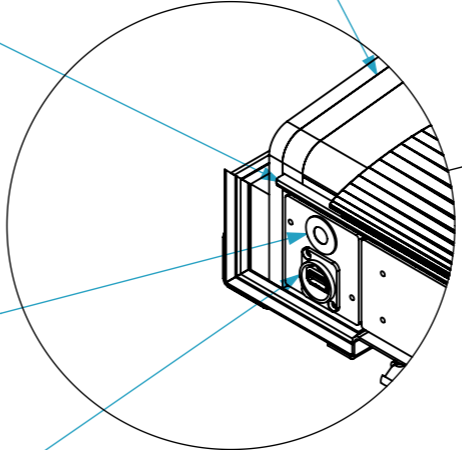
LED Lighting bar

125° / 121° / 117°



LED Lighting Dimmer

USB 3.0 Connector



Name	Date
alexandre	21-02-2018
Reference	LMIXER.286
Scale	1:1
units in mm	general tolerance 0.8mm
DO NOT SCALE	
FC PRO 3T, MA ONPC FADER WING, LED	



This drawing must not be copied or disclosed without consent of the owner

1st Angle projection

A3