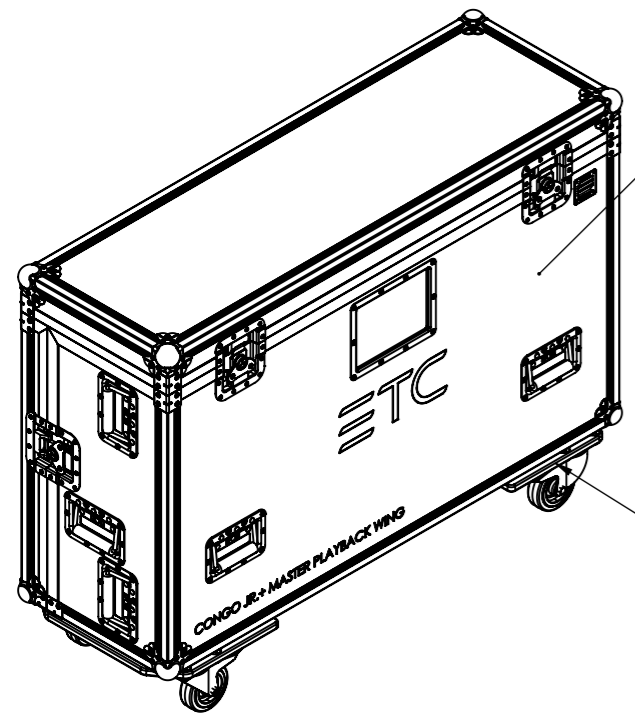


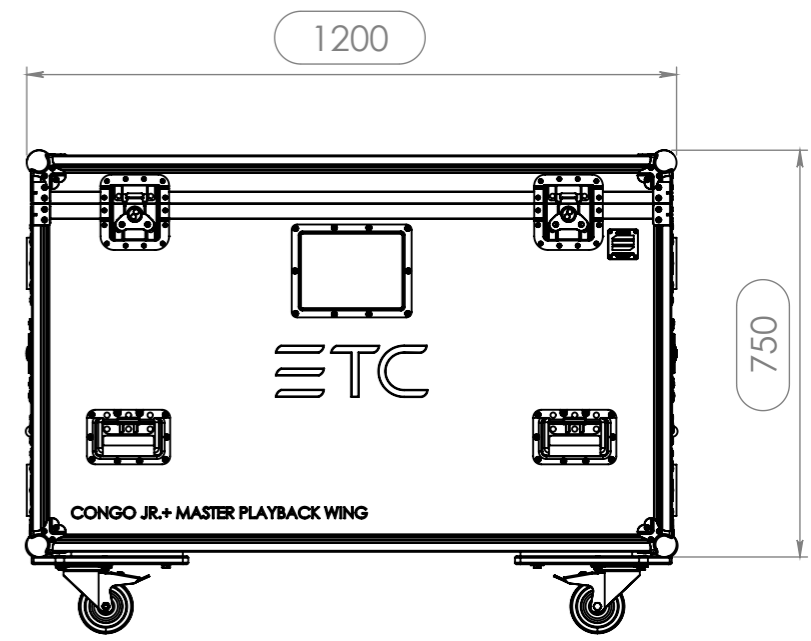
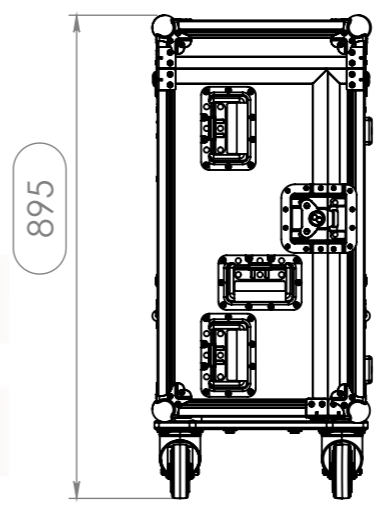
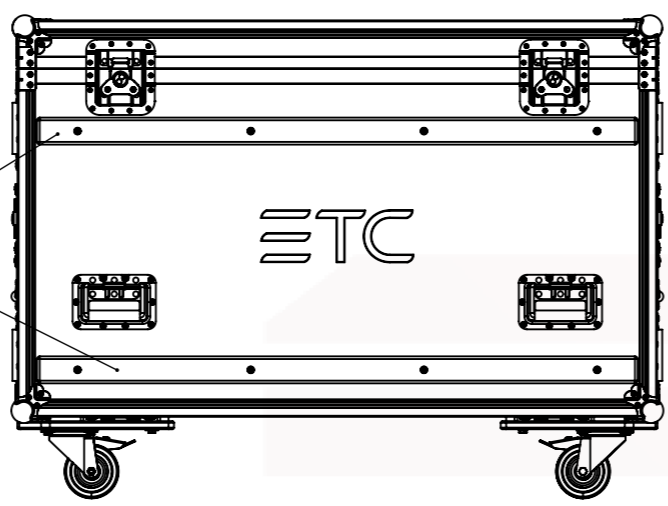
Equipment	ETC Congo Jr. + Master Playback Wing	
Width	Depth	Height
1060	406	140
Weight	Approx. 62 Kg	
Wall Thickness		10mm



Flight Case
X13M.1204075

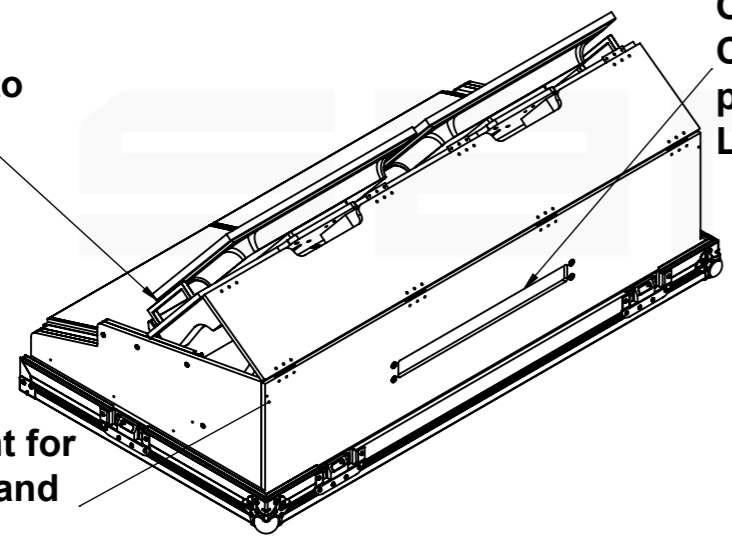
Plastic Feet

SKATE
R3.040



Handles (to lift the system)

Compartment for CPU, wiring and electrical connections



Optional Connection panel
LMIXER.278.A01

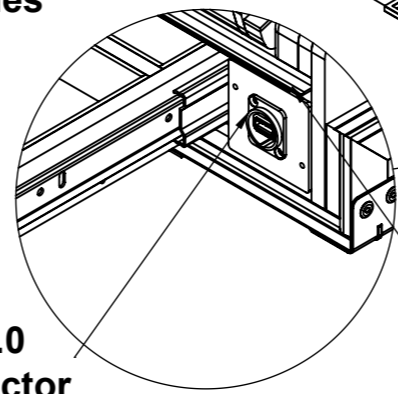
ETC Congo Jr. Master Playback Wing

LCD
Max. Dimensions (WxDxH): 500x50x350

Sliding rail with 4 stop positions

LED Lighting Dimmer

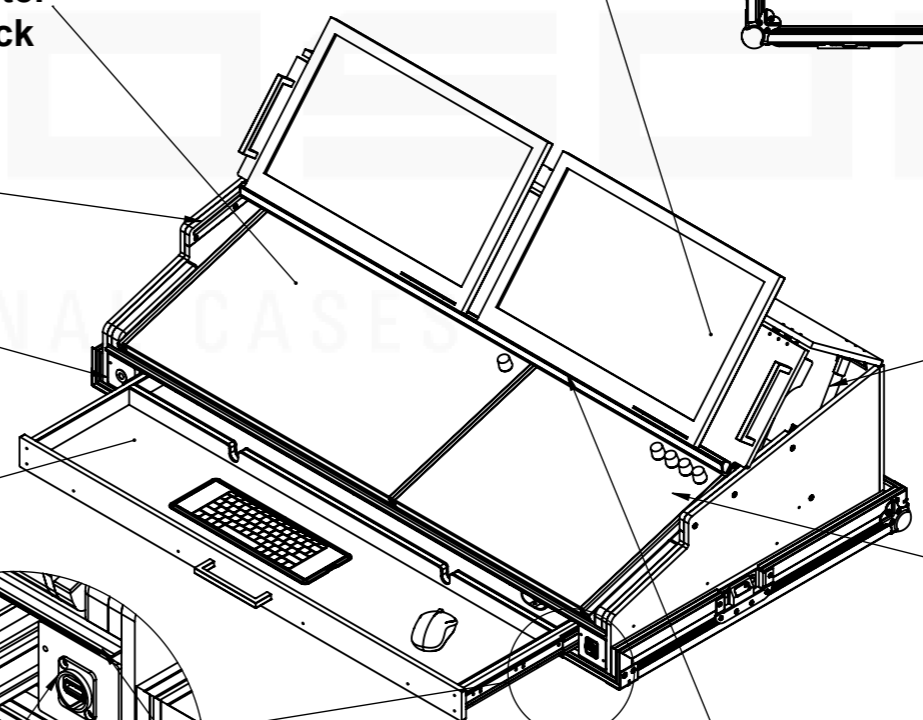
Drawer for keyboard, mouse, cables and accessories



USB 3.0 Connector

Aluminum profile with LED Lighting

Sliding rail with 4 stop positions



Gas Damper

ETC Congo Jr.

LED Lighting bar

Hardware		
Qty	Ref.	Description
12	40403	Large corner bracket f. 35mm case angle
10	34082	Recessed Sprung Handle Medium
8	410429	Heavy Duty Ball Corner
8	172531	Large butterfly V3 with 'push-back' function
1	CHAPA.1000	Identification Plate
1	88001D	Dish for 88001 Tour Label

This drawing must not be copied or disclosed without consent of the owner

Drawn by	Name	Date
alexandre	alexandre	12/05/2017
Reference	LMIXER.278	
Scale	units in mm	general tolerance
1:14	DO NOT SCALE	0.8mm
FC, ETC CONGO JR + MASTER PLAYBACK WING, LED		

