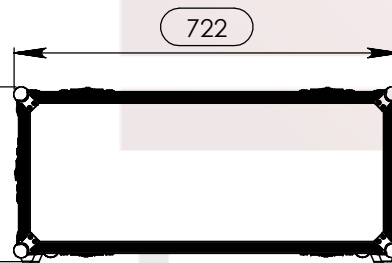
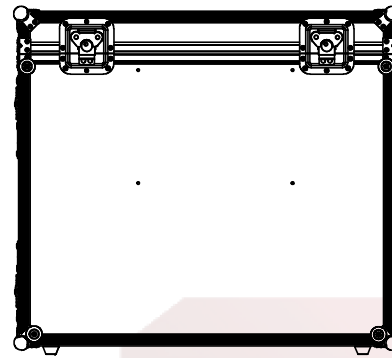
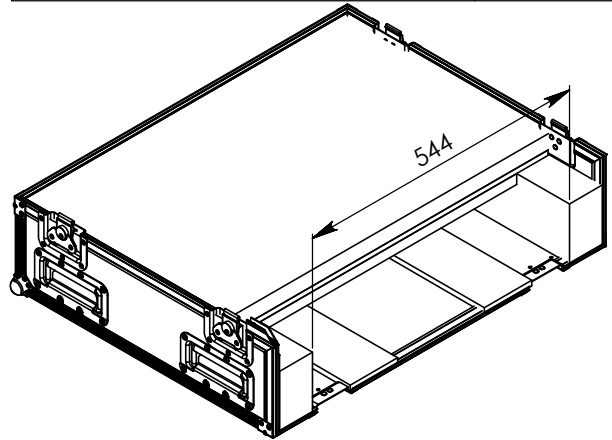


### Interior dimensions

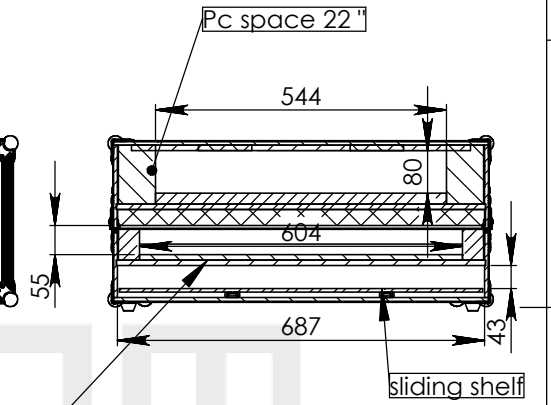
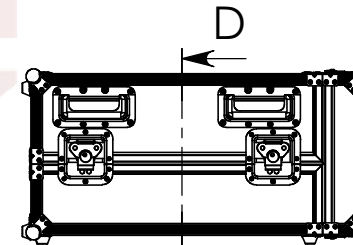
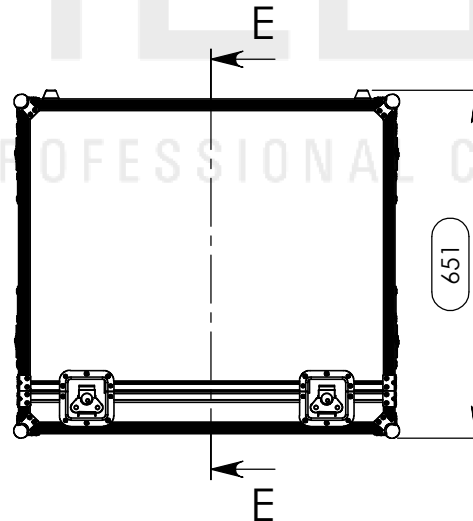
Width	Depth	Height
604	600	265
Weight	Approx. 22 Kg	
Wall Thickness	7mm	

### REVISIONS

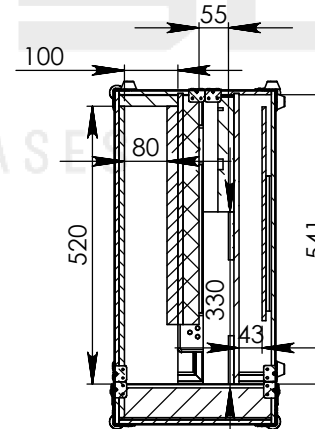
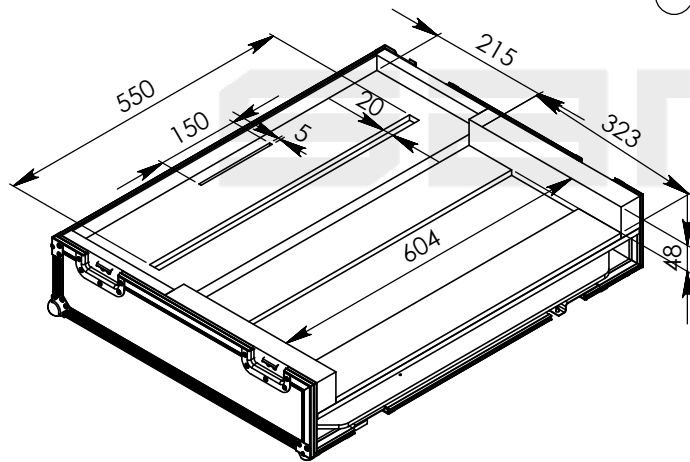
ZONE	REV.	DESCRIPTION	DATE	APPROVED
	0	Final Drawing	09/04/2016	Carlos Rodrigues



327



SECTION D-D  
SCALE 1 : 10



SECTION E-E  
SCALE 1 : 10

### Hardware

Qty	Ref.	Description
12	40407	Medium corner-brace zinc plated 1,0mm
8	4901	Rubber foot 30 x 15mm, black
8	17290S	Key lockable medium Butterfly special
8	4112	Small ball corner - 3 leg - zinc plated
4	340822	Recessed sprung handle - Small

This drawing must not be copied or disclosed without consent of the owner

Scale	1:7	UNITS: mm	general tolerance	0.8mm
Reference	LMIXER.272			
1st Angle projection	SYSTEMS HOGLET + ALL IN ONE PC HP 22-3100NP			

