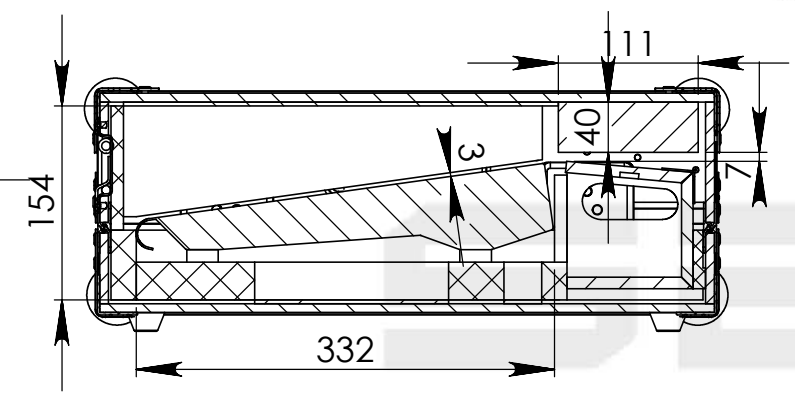
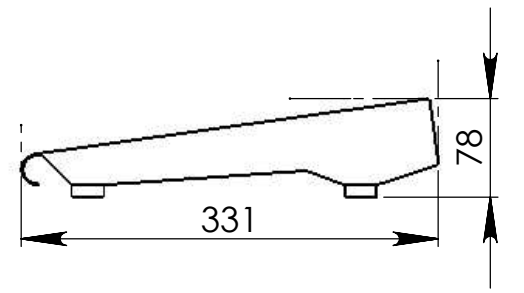
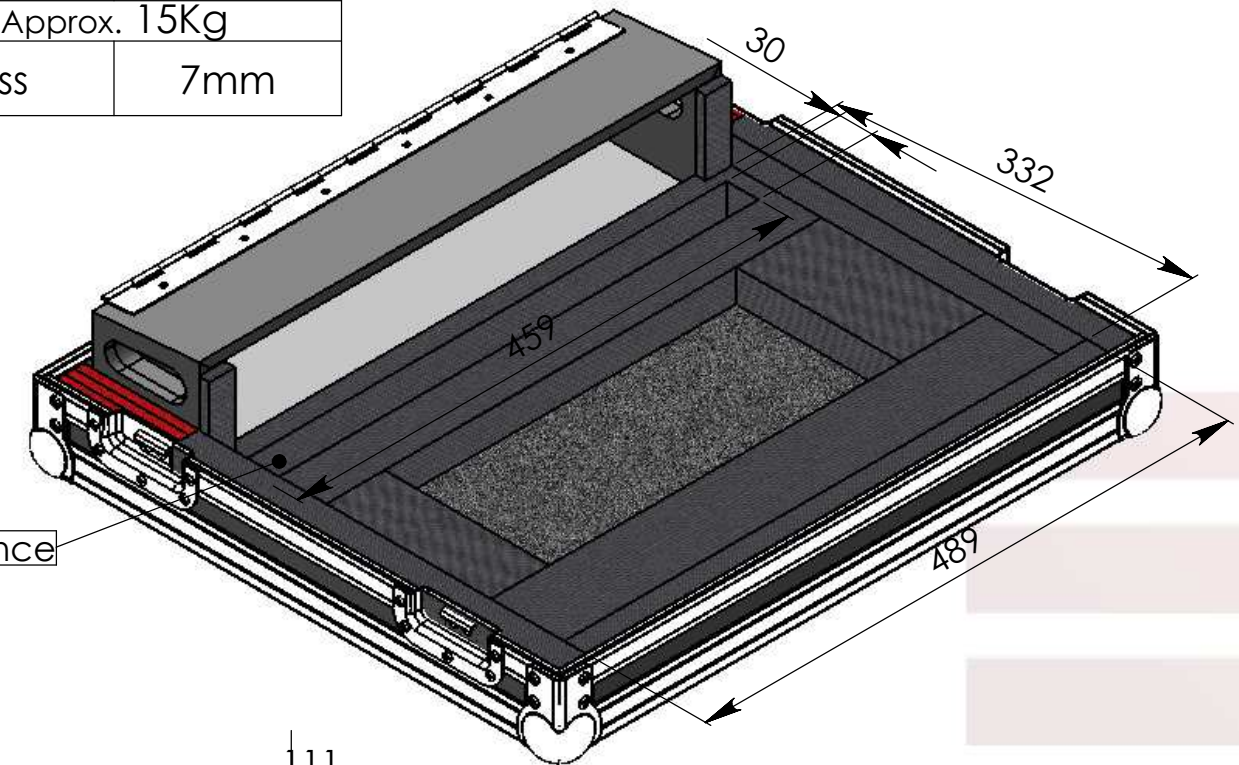


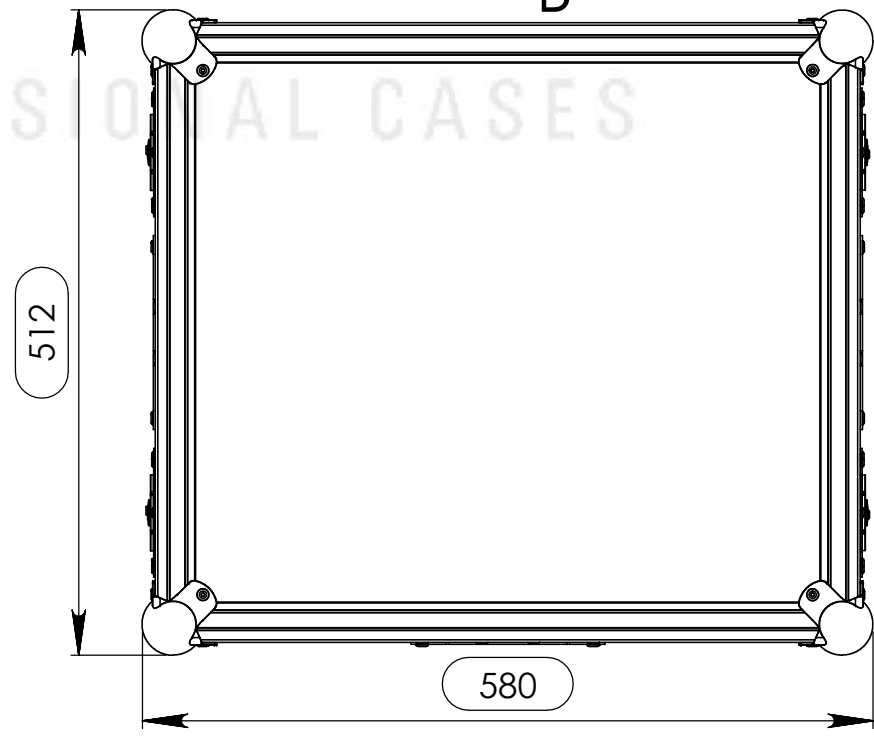
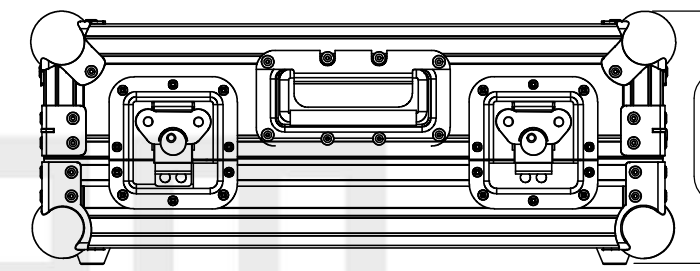
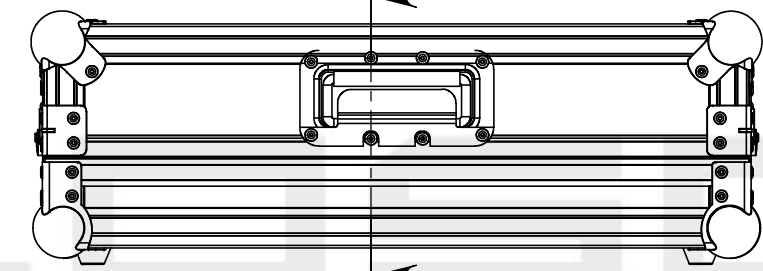
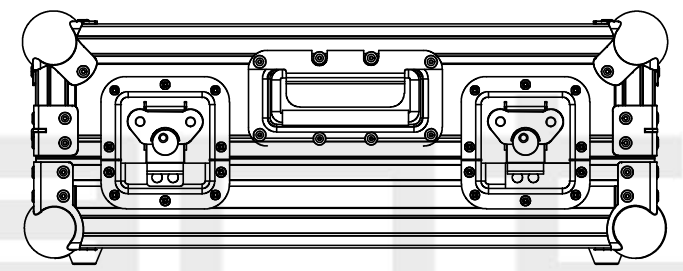
Interior dimensions		
Width	Depth	Height
489	333	154
Weight	Approx. 15Kg	
Wall Thickness	7mm	

REVISIONS				
ZONE	REV.	DESCRIPTION	DATE	APPROVED
	0	Final Drawing	01/06/2016	Carlos Rodrigues

Equipment Dimensions



SECTION B-B



Hardware		
Qty	Ref.	Description
3	340822	Recessed sprung handle - Small
4	17290S	Key lockable medium Butterfly special
4	4120	Heavy duty ball corner, zinc plated
4	41201	COMBINED BALL CORNER AND BRACE 68MM HIGH
4	40403	Large corner bracket f. 35mm case angle
4	4901	Rubber foot 30 x 15mm, black

A3 This drawing must not be copied or disclosed without consent of the owner

Drawn by	Name	Date
projects		01/06/2016
Reference	LMIXER.270	
Scale	units in mm	general tolerance
1:6	DO NOT SCALE	0.8mm
FC, LSC MANTRA LITE MÓVEL		

