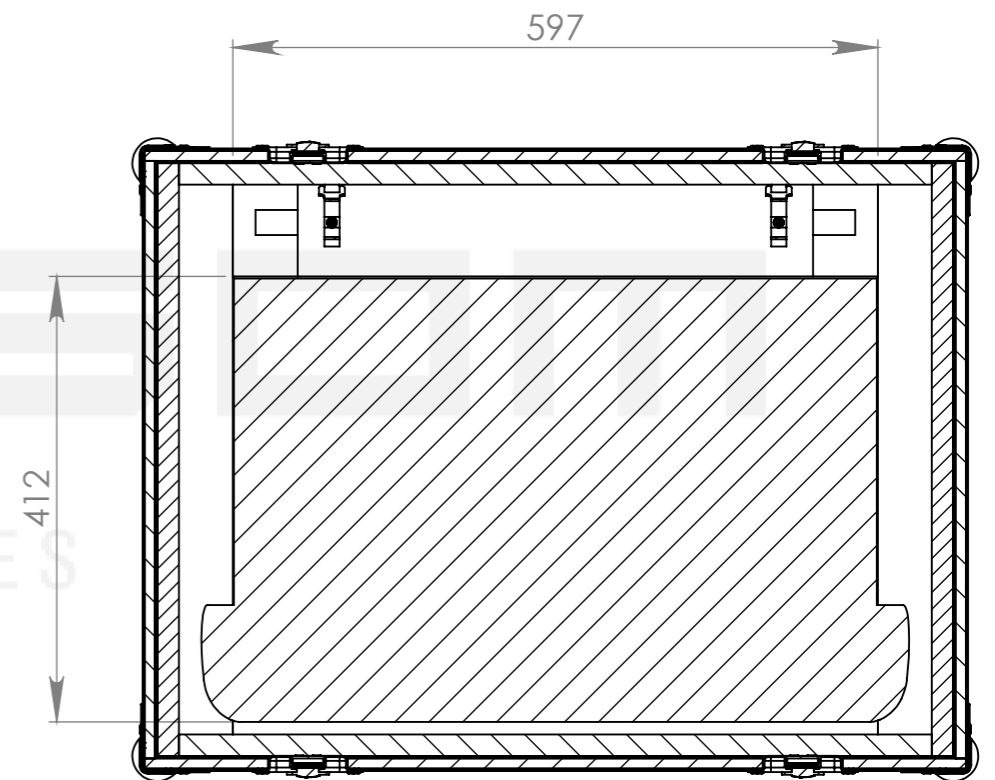
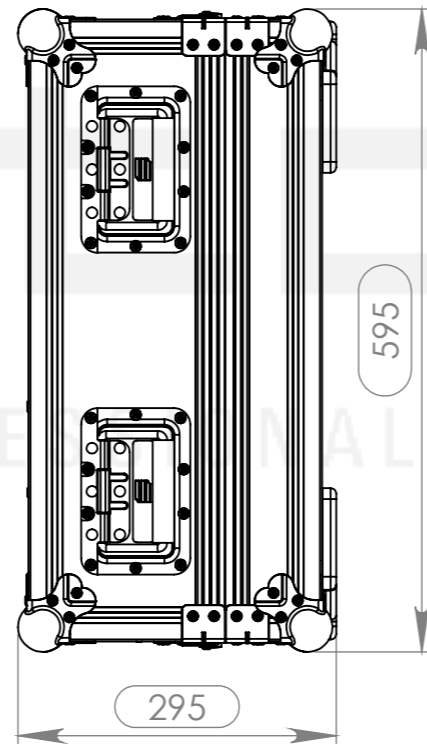
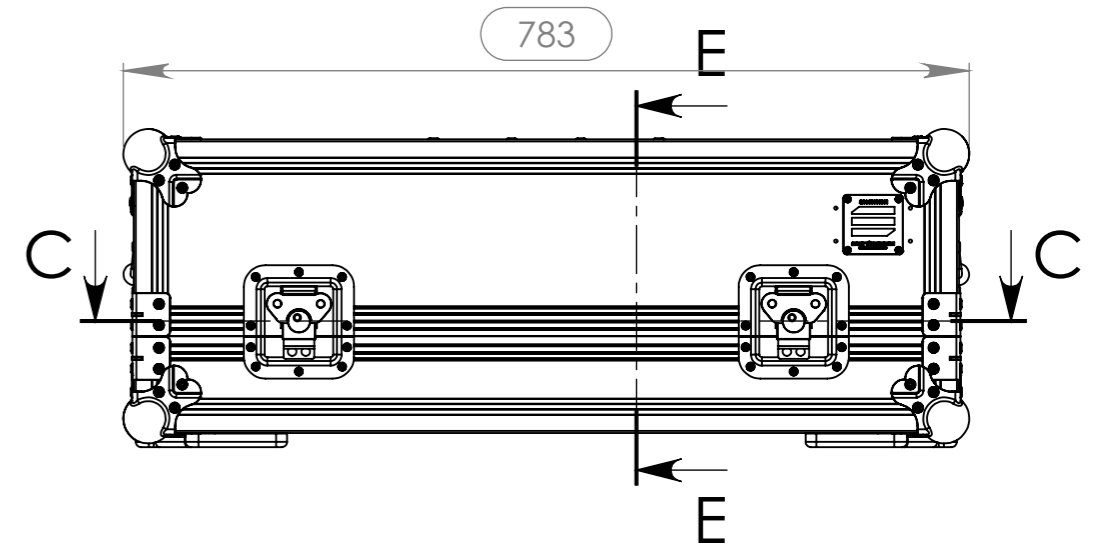
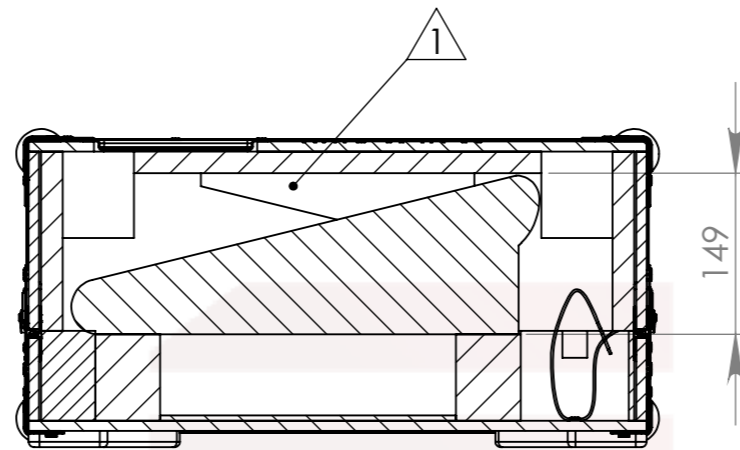
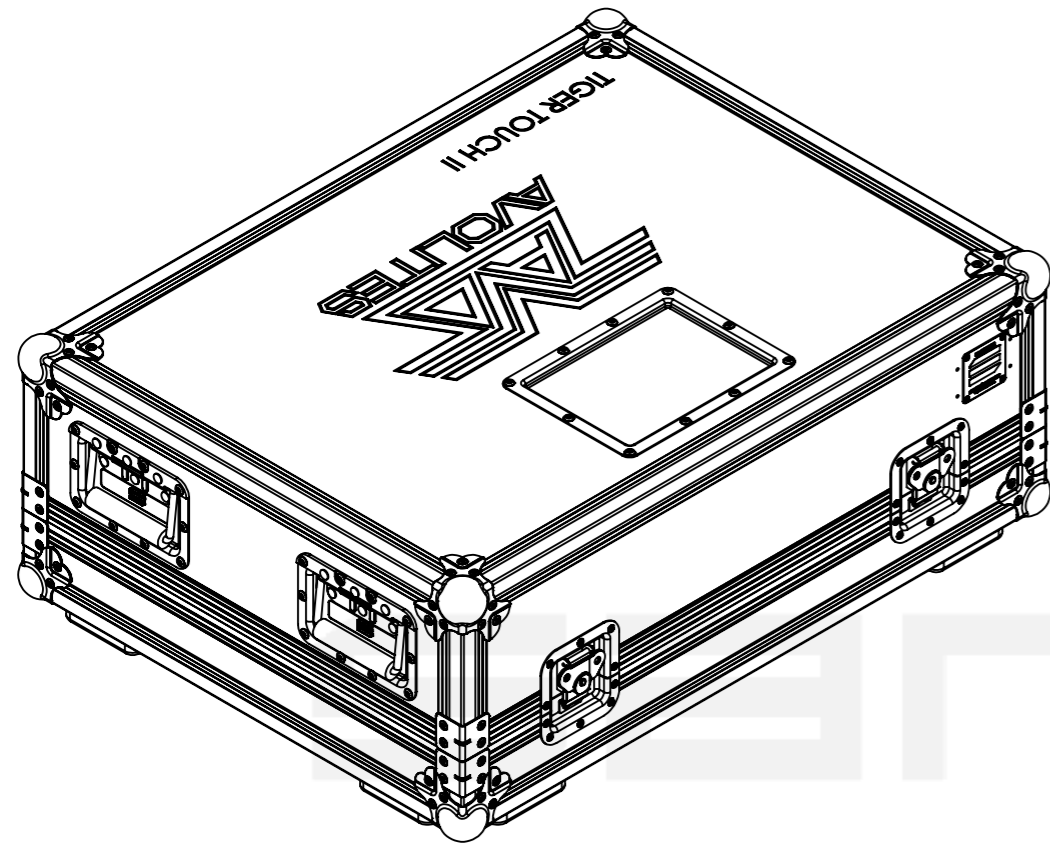


Interior dimensions		
Width	Depth	Height
597	412	149
Weight	Approx. 28Kg	
Wall Thickness		9.50mm

Revision Table				
Index	Rev.	Description	Date	Draw
-	0	Final Drawing	13/04/2016	Ezequiel Camboa
	1	Reversible Lid	20-05-2016	Alexandre



Hardware

Qty	Ref.	Description
8	410429	Heavy Duty Ball Corner
8	40403	Large corner bracket f. 35mm case angle
1	88001D	Dish for 88001 Tour Label
4	34082	Recessed sprung handle medium model
4	17290S	Key lockable medium Butterfly special

This drawing must not be copied or disclosed without consent of the owner



Scale 1:20  
units in mm  
DO NOT SCALE  
general tolerance 0.8mm

Name	Date
alexandre	20-05-2016

Reference LMIXER.269



A3