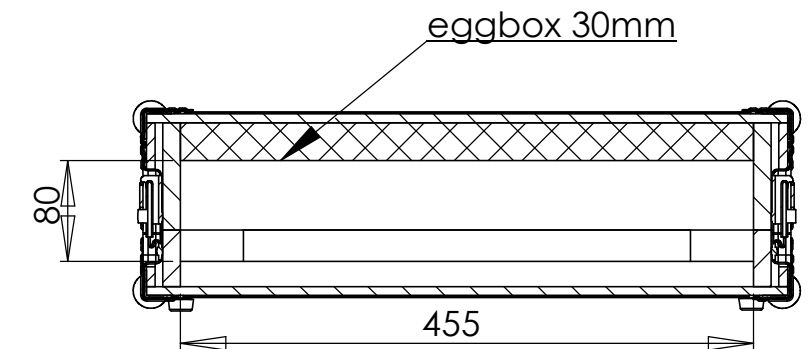
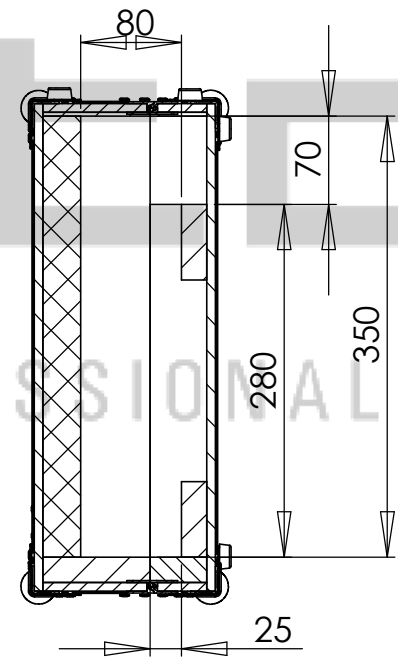
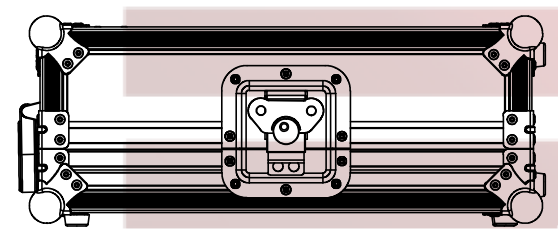
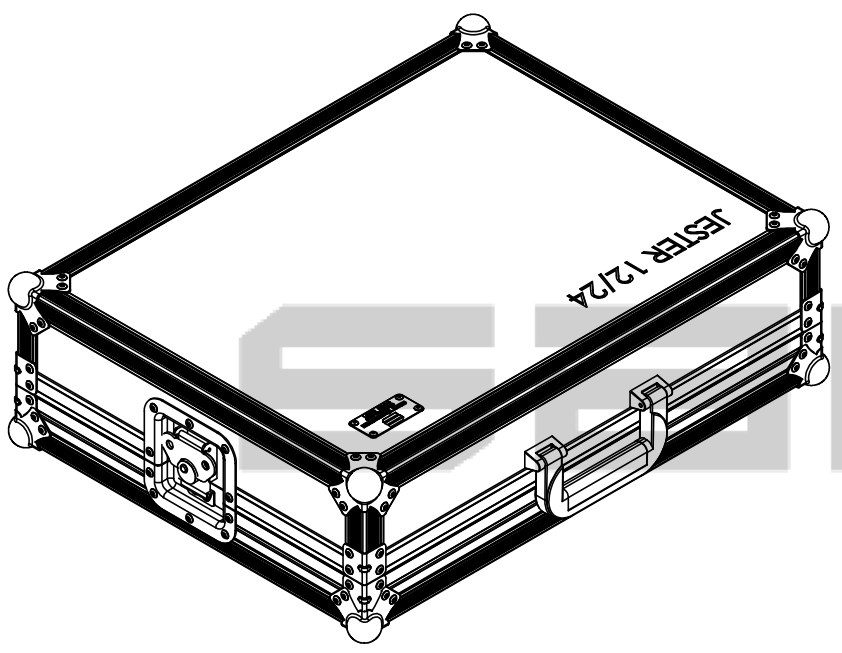
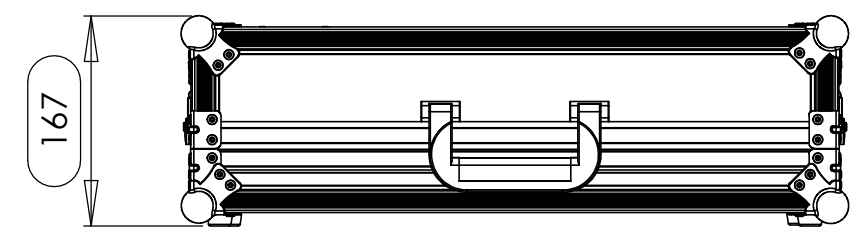


Interior dimensions		
Width	Depth	Height
455	280	80
Weight	Approx. 4 Kg	
Wall Thickness	7mm	

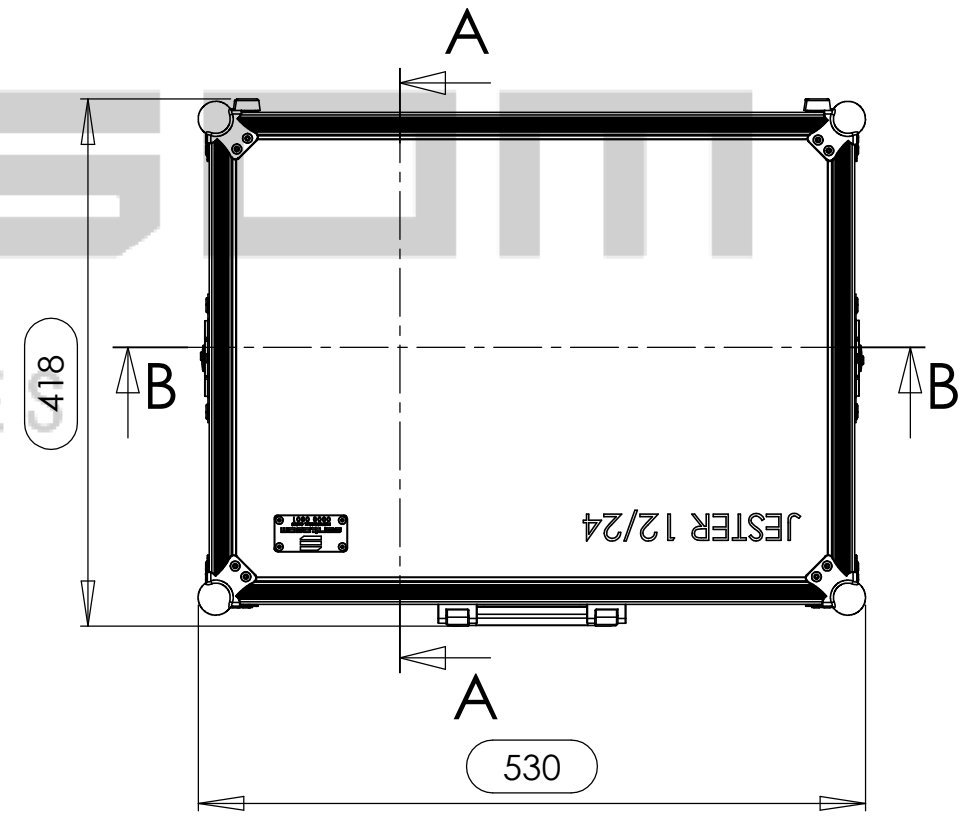
REVISIONS				
ZONE	REV.	DESCRIPTION	DATE	APPROVED
-	0	Final Drawing	26/11/2013	Daniel Lopes



SECTION B-B



SECTION A-A



Hardware		
Qty	Ref.	Description
8	40407	Medium corner-brace zinc plated 1,0mm
8	4112	Small ball corner - 3 leg - zinc plated
8	4903	Rubber foot 20 x 9 mm, black
2	17290S	Key lockable medium Butterfly special
1	3430	Chrome plated plastic with soft black plastic insert

This drawing must not be copied or disclosed without consent of the owner

Drawn by	Name	Date
DanielLopes	DanielLopes	26-11-2013
Reference	LMIXER.250	
Scale	units in mm	general tolerance
1:6	DO NOT SCALE	0.5mm
1st Angle projection	FC, ZERO 88 JESTER 12/24	

