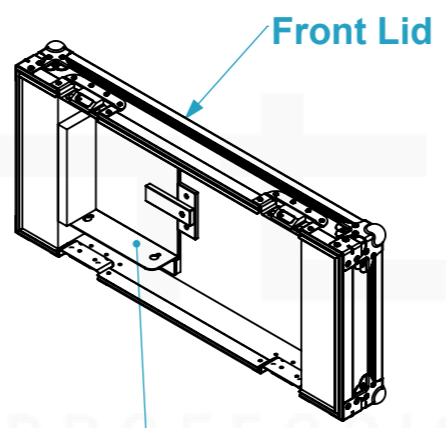
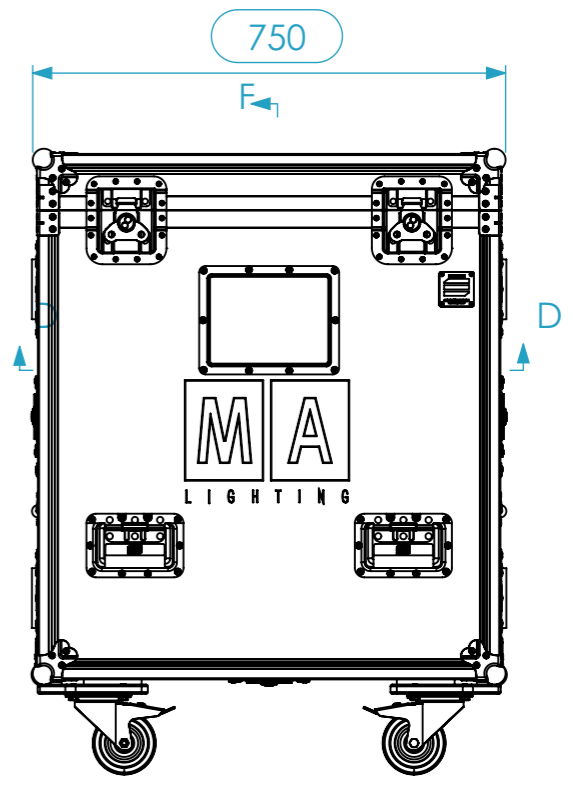
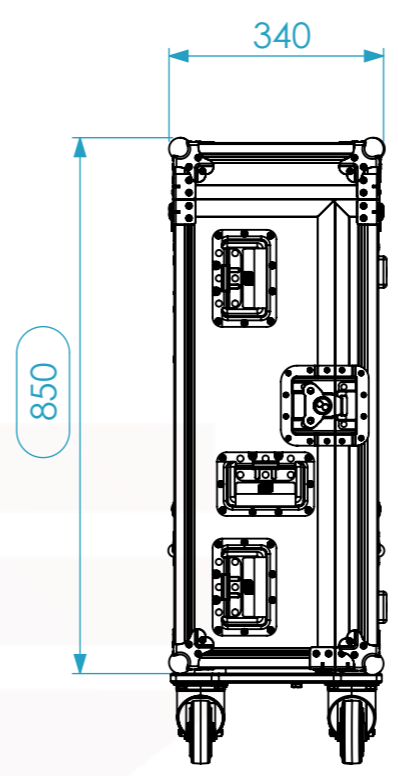
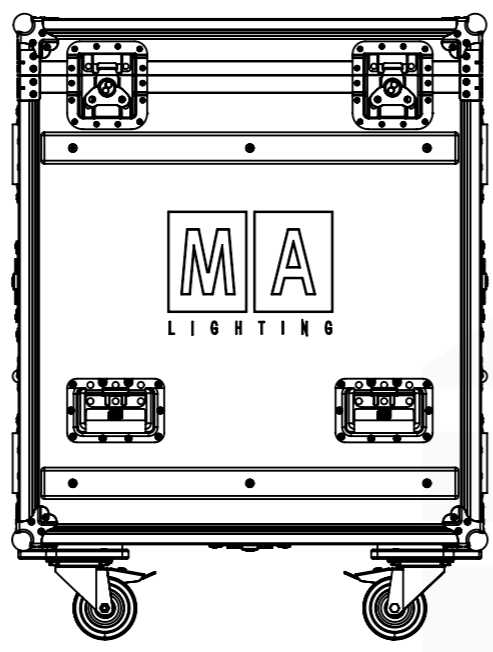
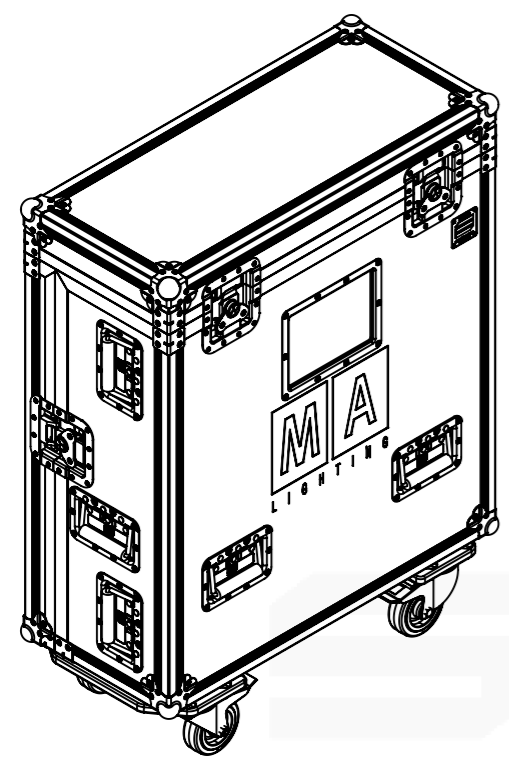
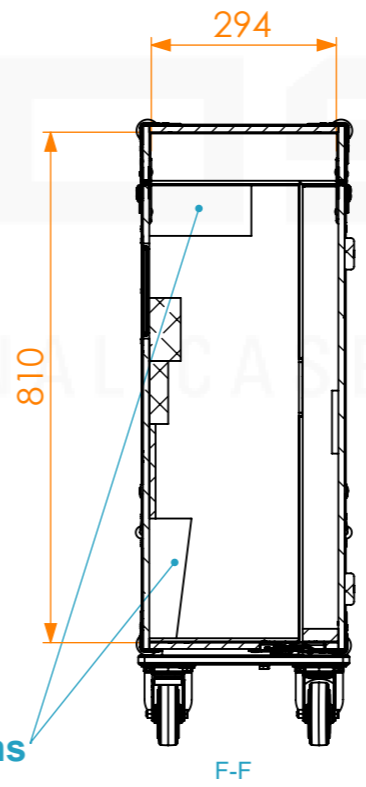


<b>Equipment</b>	Dell P2418HT	
<b>Width</b>	<b>Depth</b>	<b>Height</b>
538	323	54
<b>Weight</b>	Approx. 32 Kg	
<b>Wall Thickness</b>	10mm	



Front Lid

Mouse Support

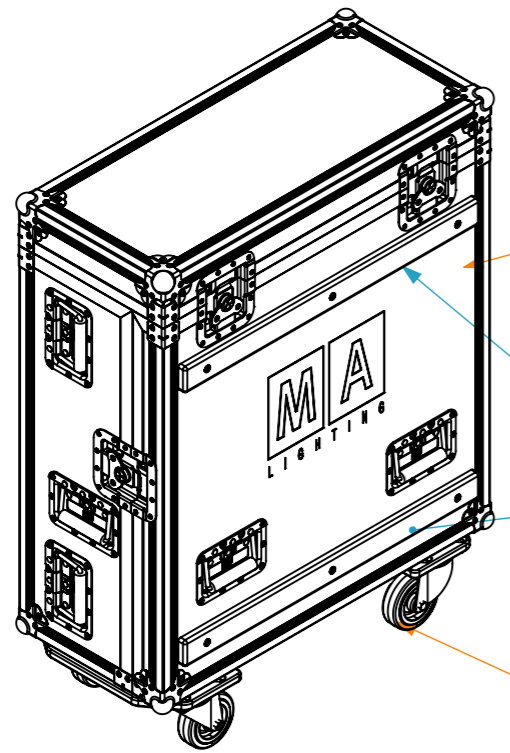


HD Foams

F-F



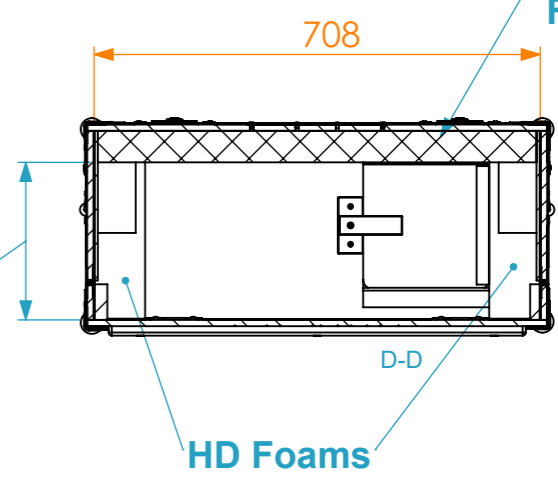
Eggbox Pressing Foam



Flight-case  
X13M.0753485

Plastic Feet

Skate  
R2.034A



250  
Presses 10 mm

HD Foams

D-D

Name	Date
alexandre	24-05-2019
Reference	LMIXER.246.A10
Scale	1:12
units in mm	general tolerance 0.8mm
DO NOT SCALE	
FC X13M, GrandMA3	OnPc Command



This drawing must not be copied or disclosed without consent of the owner

A3

