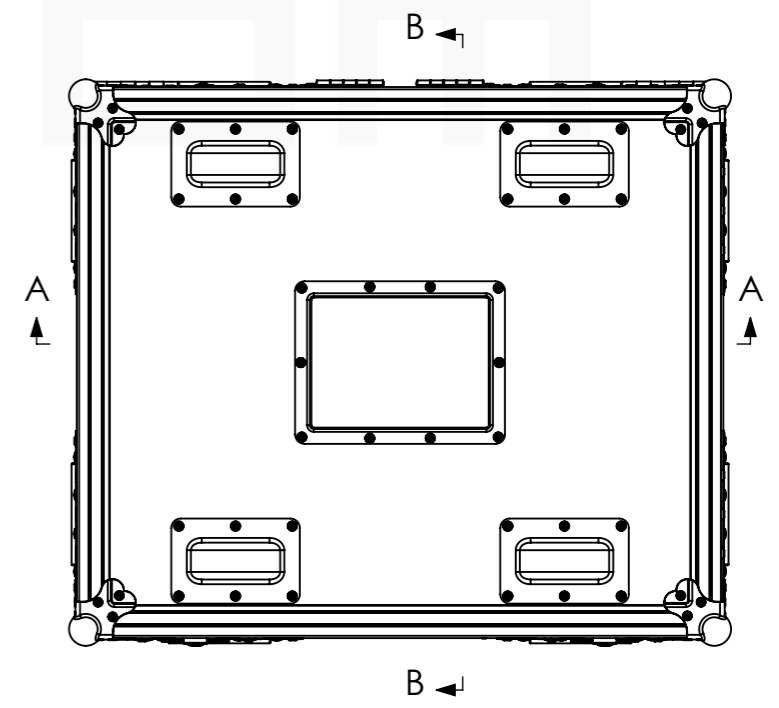
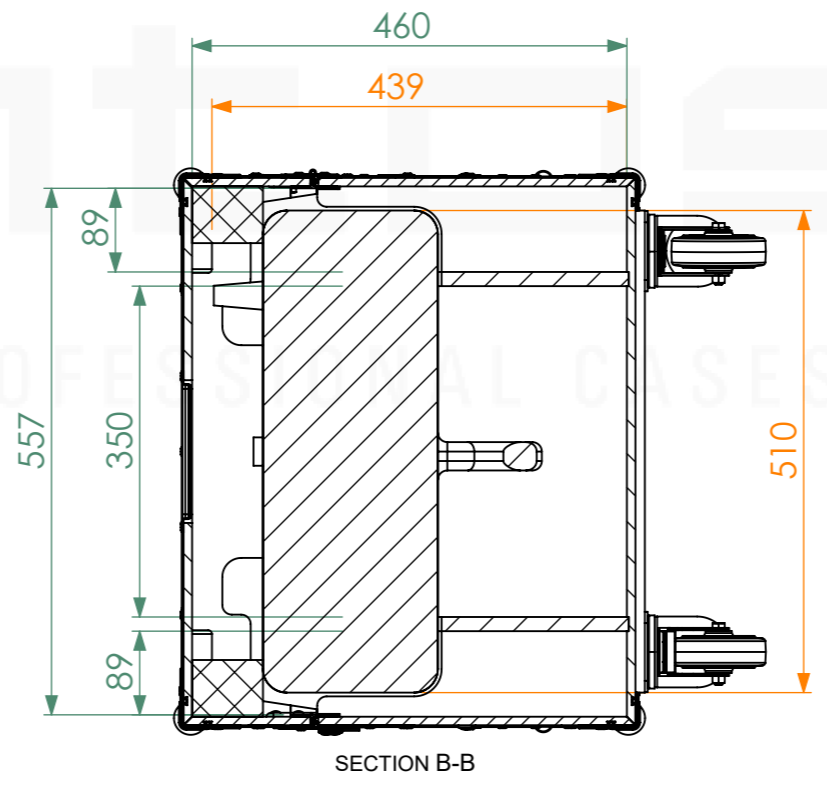
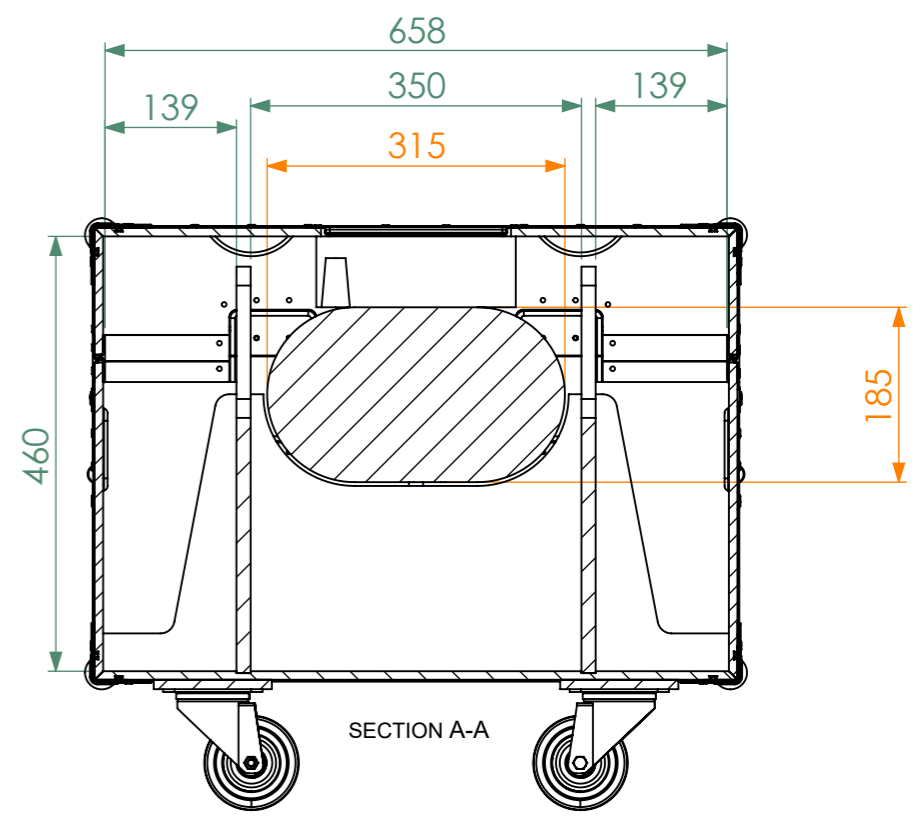
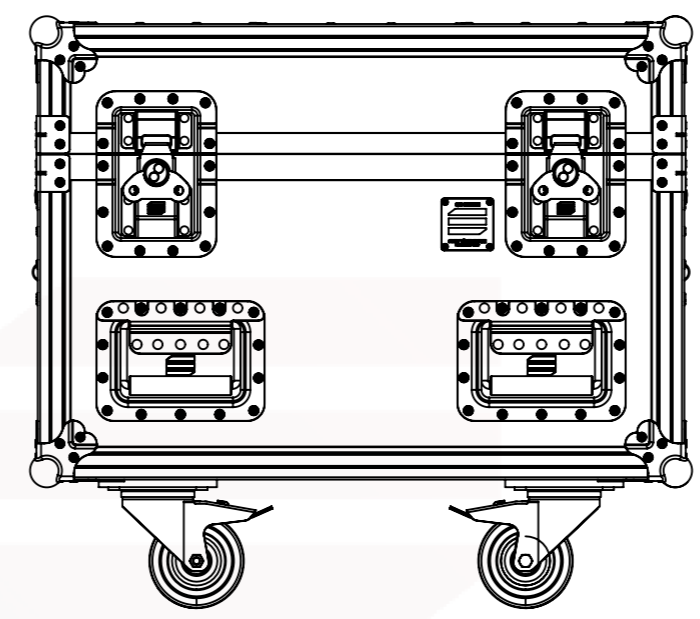
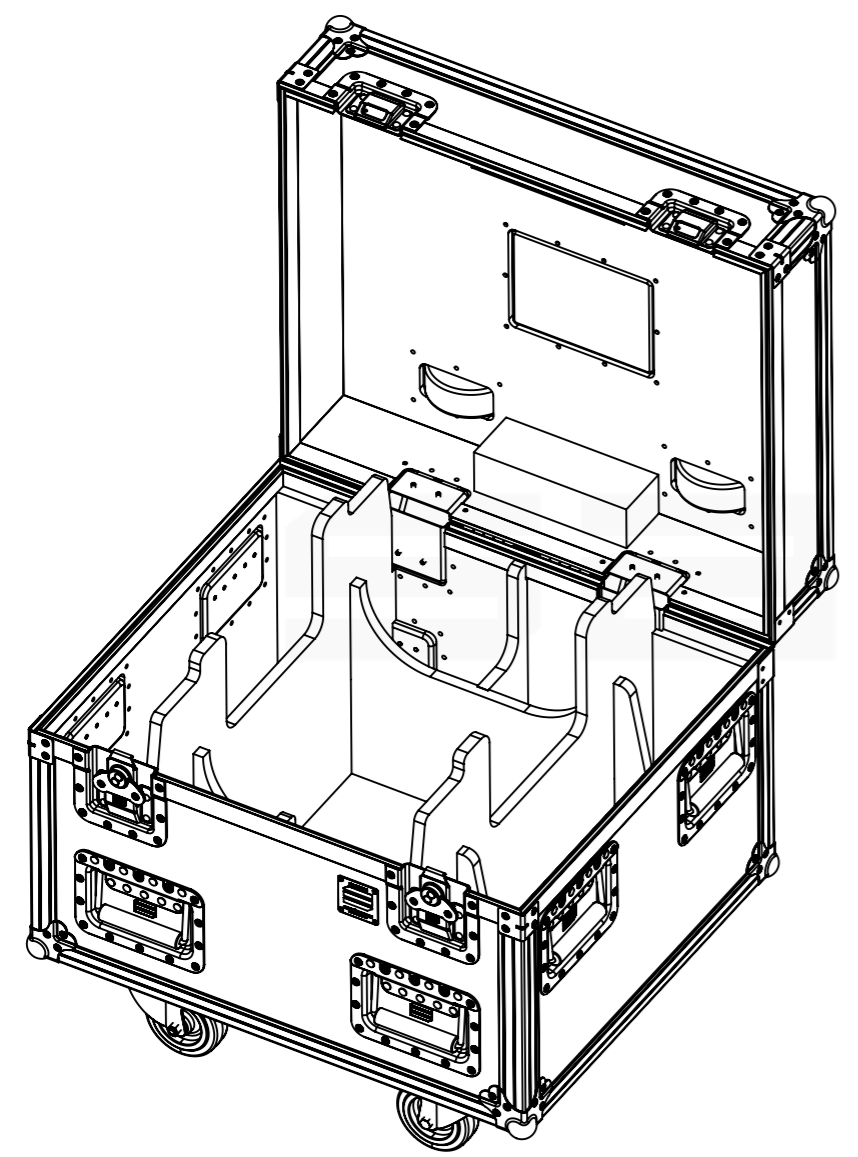


<b>Equipment</b>	CM LODESTAR CL MOD. J/JJ/L/LL/R/RR	
<b>Internal Dimensions</b>		
<b>Width</b>	<b>Depth</b>	<b>Height</b>
658	557	460
<b>Weight</b>	Approx. 67 Kg	
<b>Wall Thickness</b>	9mm	



General External Dimensions		Usable Inner Dimensions		Wood Inner Dimensions	
W	Width	Wi	Inside Width	WWi	Wood Inside Width
D	Depth	Di	Inside Depth	WDi	Wood Inside Depth
H	Height	Hi	Inside Height	WHi	Wood Inside Height

This drawing must not be copied or disclosed without consent of the owner

Drawn by	Name	Date
CatarinaDuque	CatarinaDuque	15-05-2018
Reference	LIFT.L01A	
Scale	units in mm	general tolerance
1:8	DO NOT SCALE	0.8mm
FC. 1 CM LODESTAR 1T / 2T V2, RODAS		

