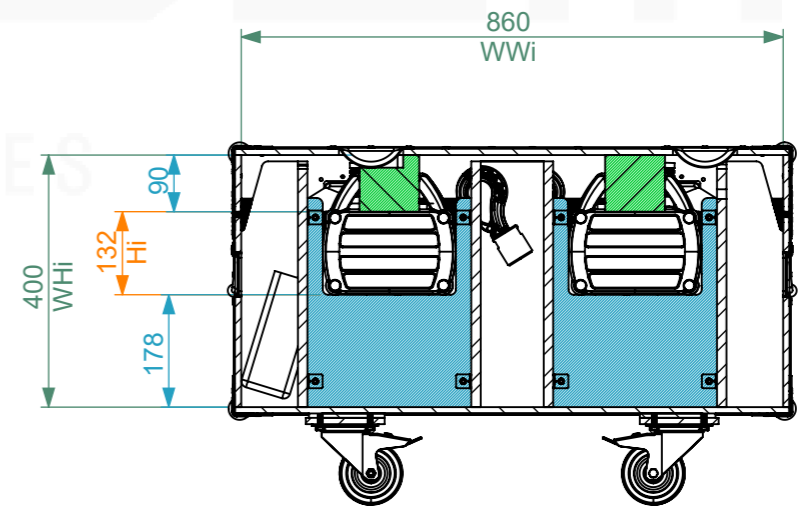
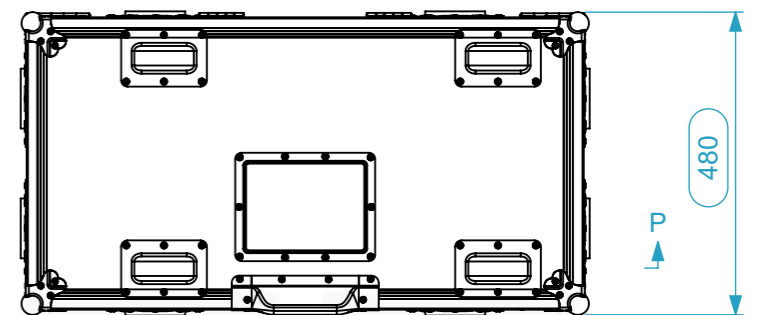
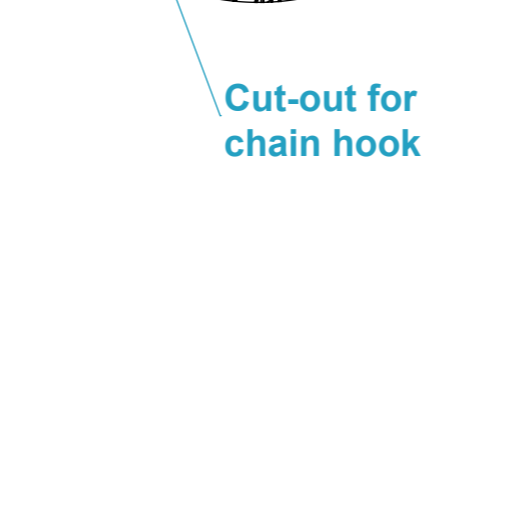
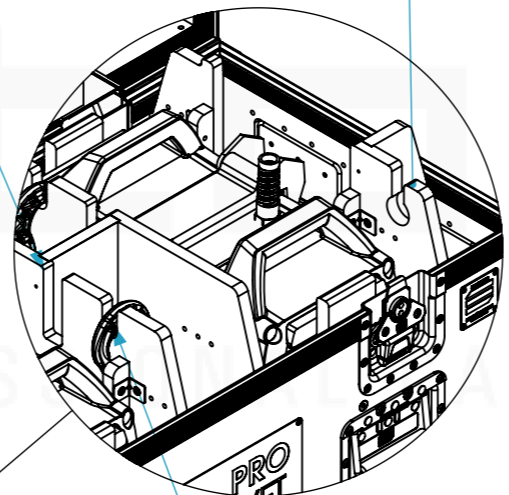
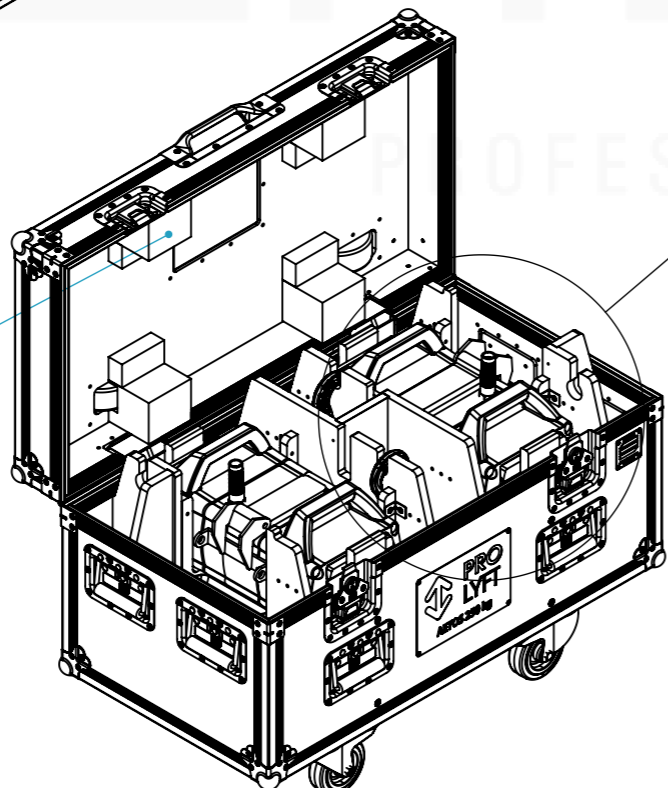
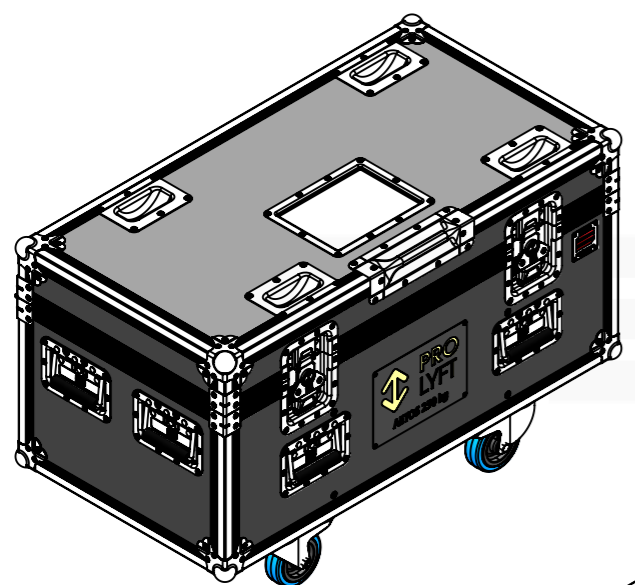
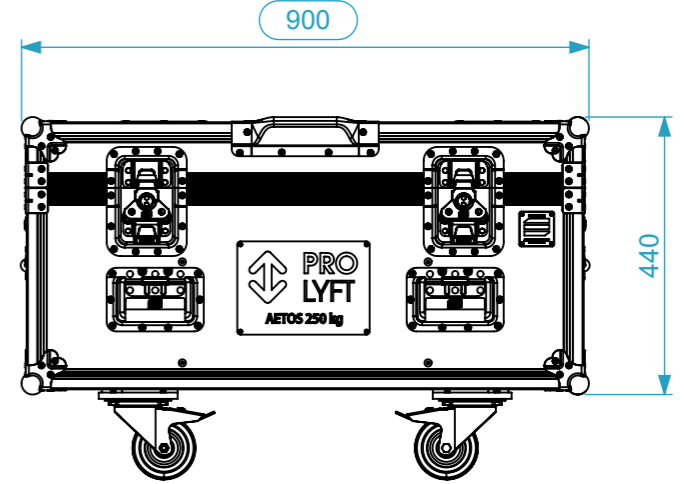
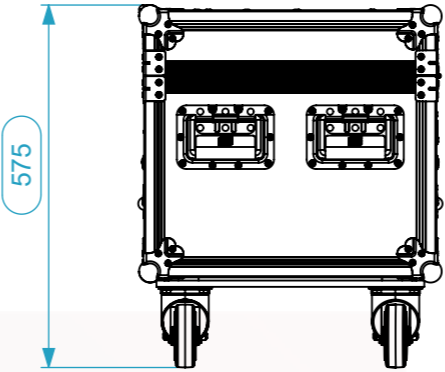
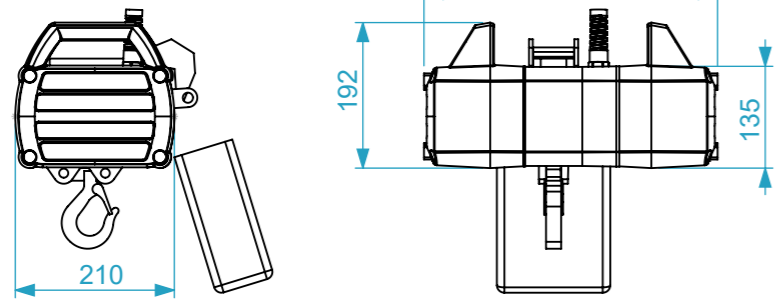


Equipment	Prolyft Aetos 250kg	
Width	Depth	Height
388	210	135
Weight	Approx. 45 Kg	
Wall Thickness	10mm	

AETOS 250 kg



HD Foam shims

Cut-out for chain

Cut-out for electrical cables

Cut-out for chain hook

General External Dimensions	
W	Width
D	Depth
H	Height
Usable Inner Dimensions	
Wi	Inside Width
Di	Inside Depth
Hi	Inside Height
Wood Inner Dimensions	
WWi	Wood Inside Width
WDi	Wood Inside Depth
WHi	Wood Inside Height

MORE DETAILS IN THE NEXT PAGE

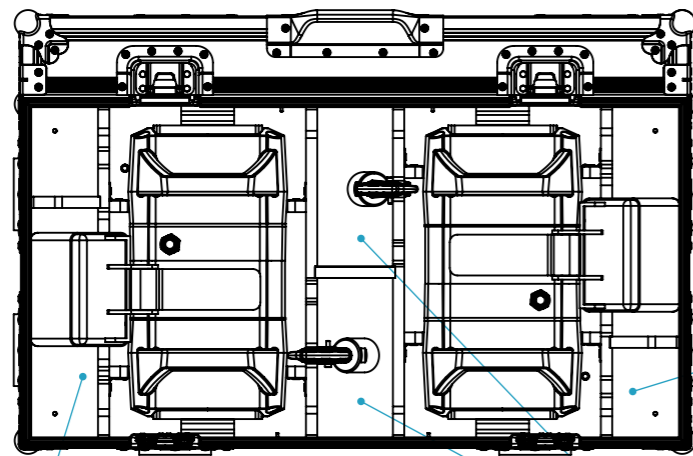
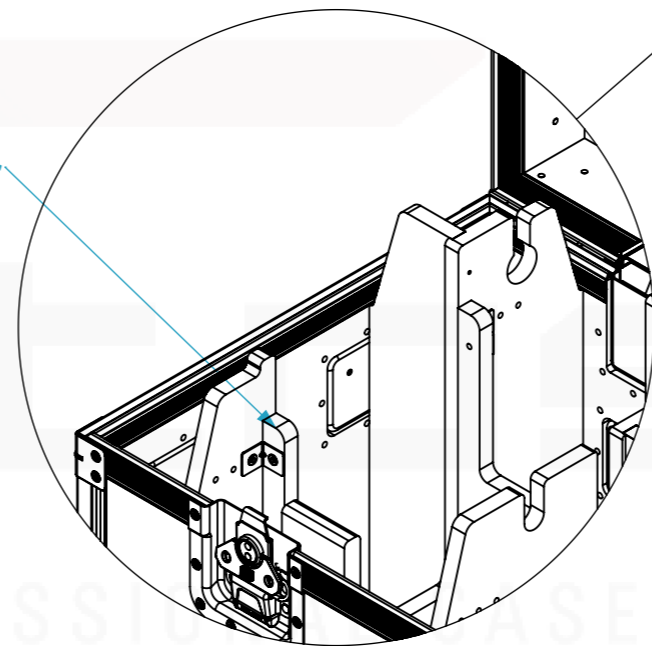
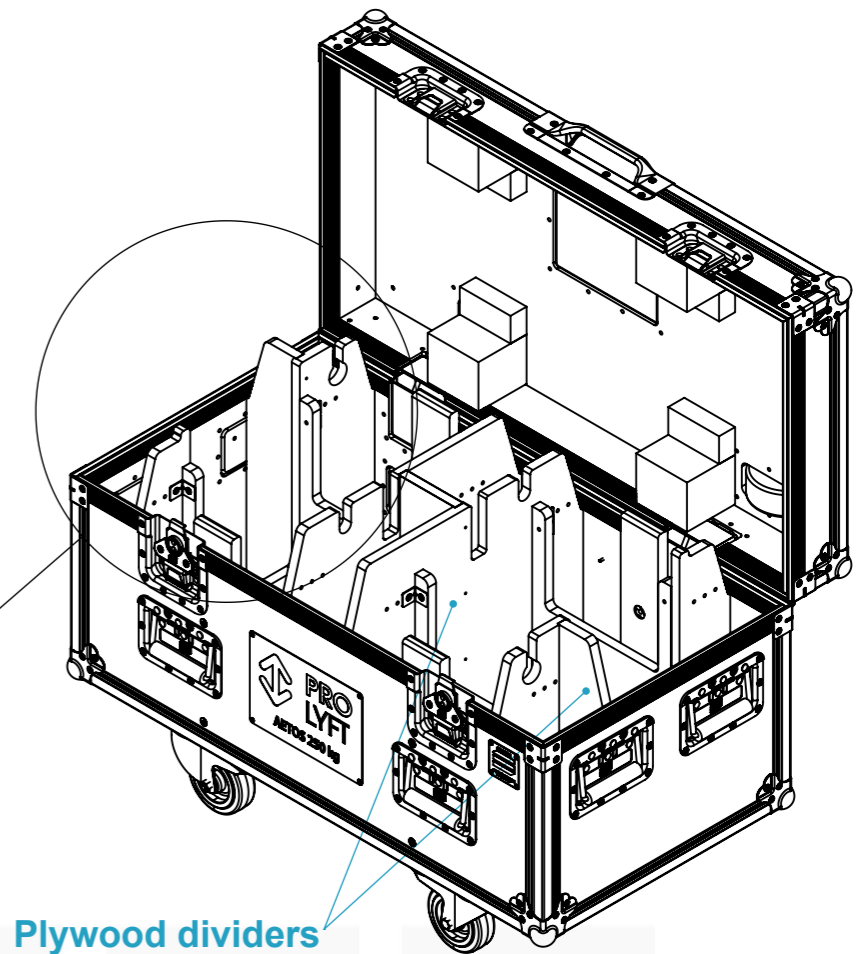
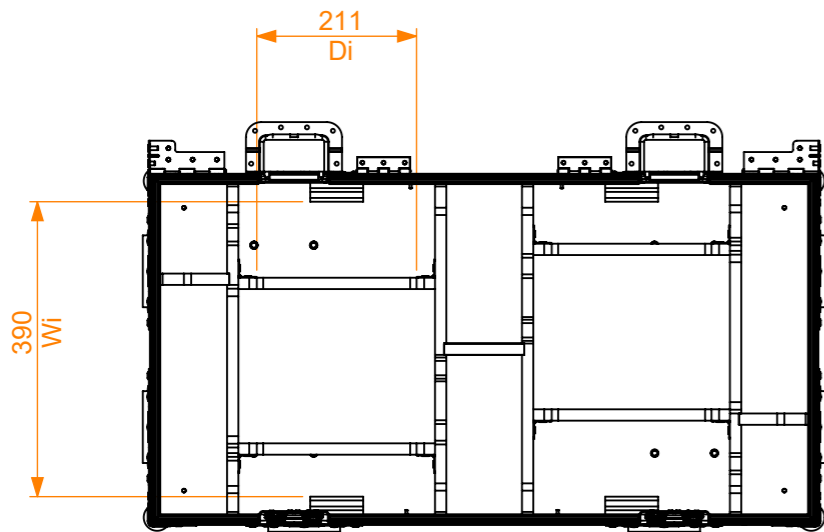
Name	Date
alexandre	23/03/2020
Reference	LIFT.152
Scale	1:12
units in mm	general tolerance 0.8mm
DO NOT SCALE	
Flight case, 2x Prolyft Aetos 250Kg	



This drawing must not be copied or disclosed without consent of the owner

1st Angle projection

A3



Adjustable divider

Plywood dividers

Compartment for electrical cables and socket

Compartment for the chain bag

Compartments for hoist chain

This drawing must not be copied or disclosed without consent of the owner

Drawn by	Name	Date
alexandre	alexandre	23/03/2020
Reference	LIFT.152	
Scale	units in mm	general tolerance
1:10	DO NOT SCALE	0.8mm
1st Angle projection	Flight case, 2x Prolift Aetos 250Kg	



A3