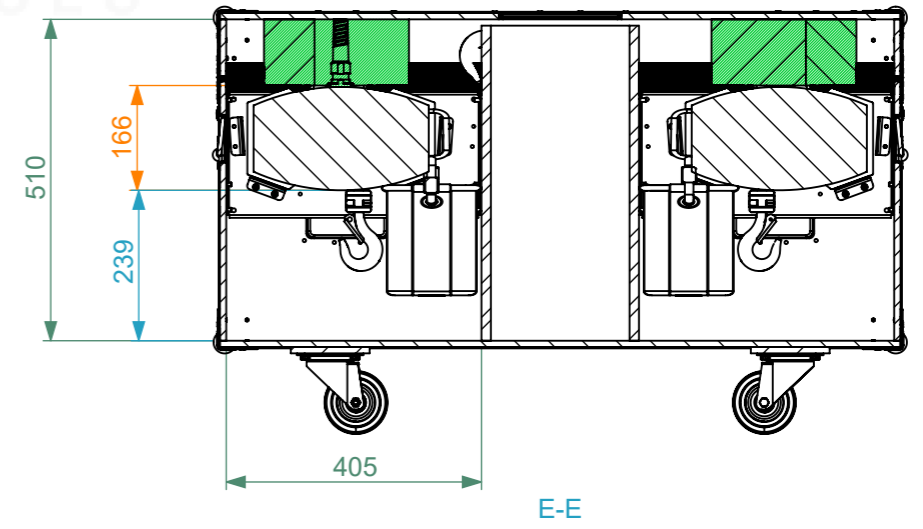
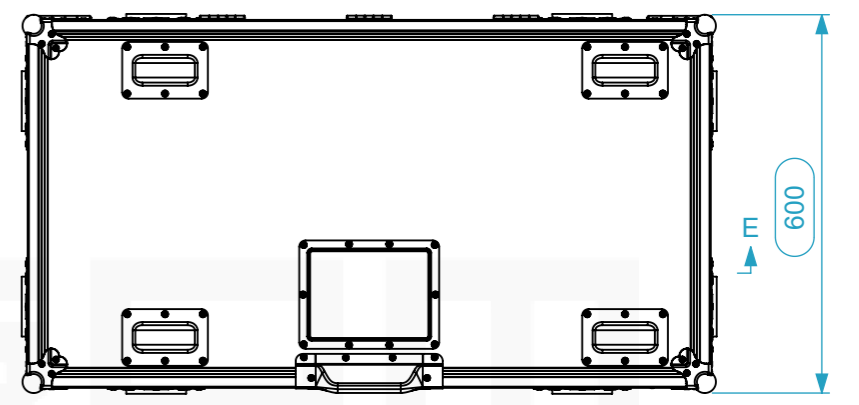
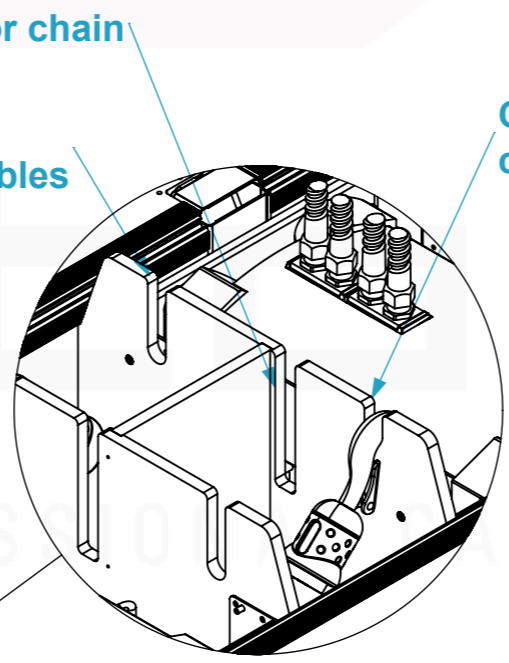
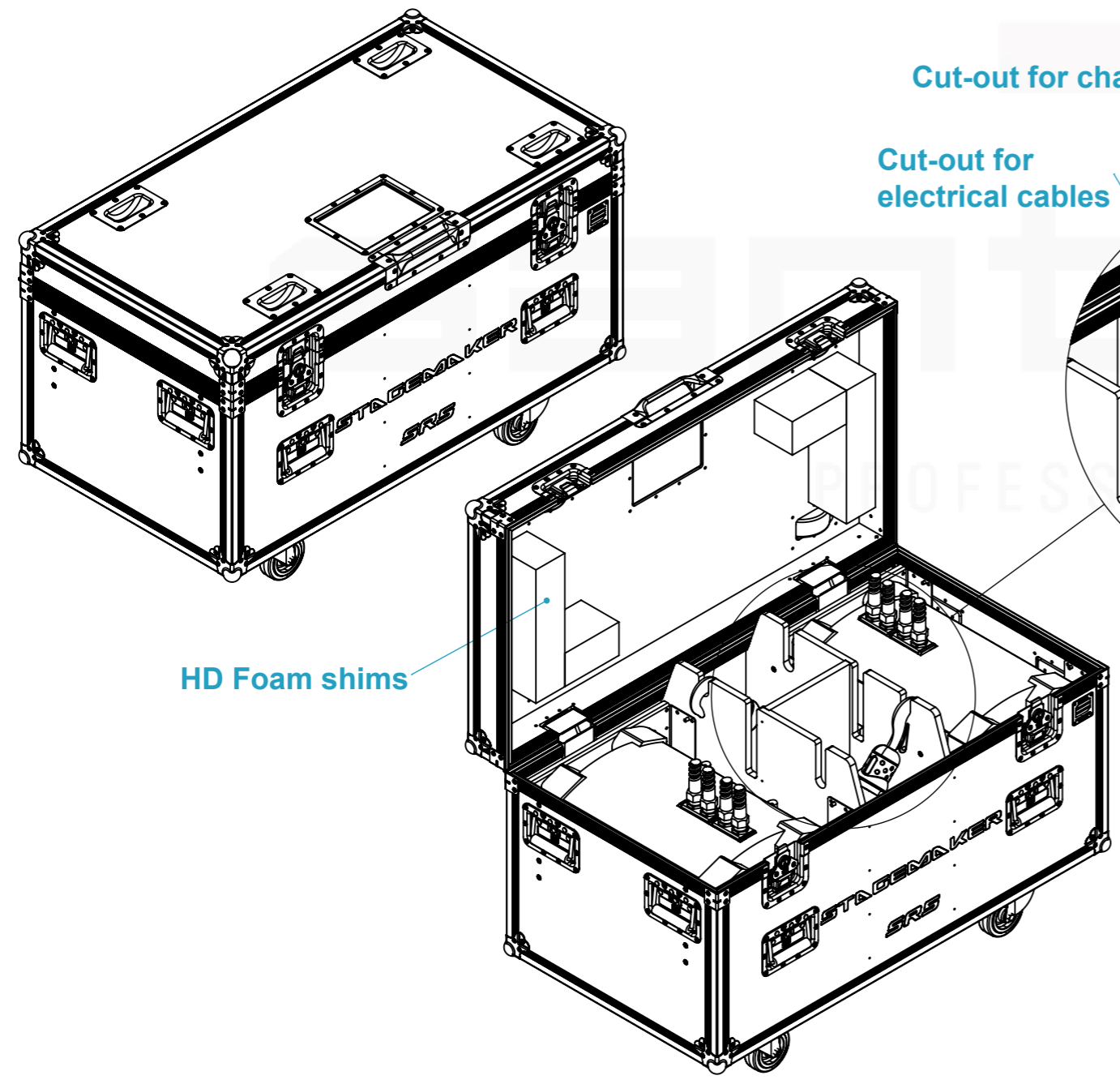
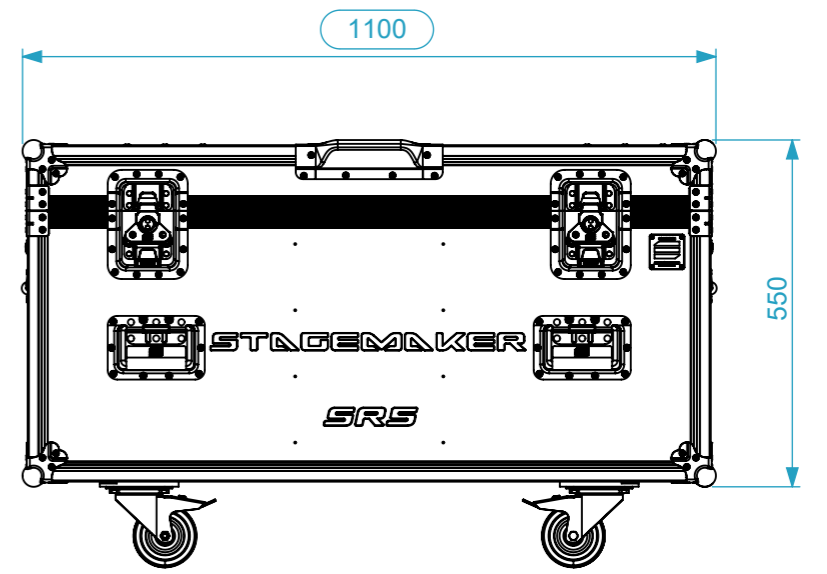
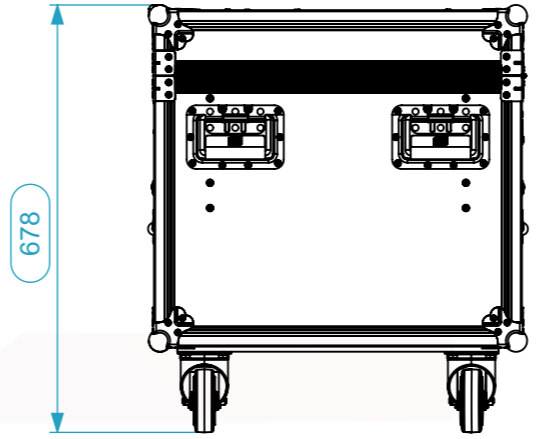
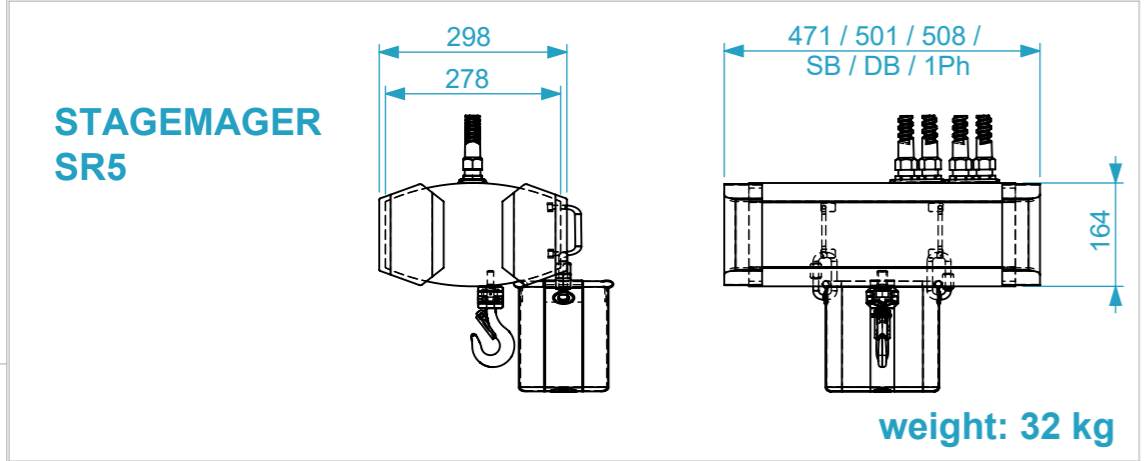


Equipment	Verlinde Stagemaker D8 SR5	
Width	Depth	Height
471 / 501 / 508	298	164
Weight	Approx. 49 Kg	
Wall Thickness	10mm	



Name	Date
alexandre	16-05-2019
Reference	LIFT.128
Scale	1:12
units in mm	general tolerance 0.8mm
DO NOT SCALE	
1st Angle projection	
Flight case, 2x Verlinde Stagemaker D8 SR5	

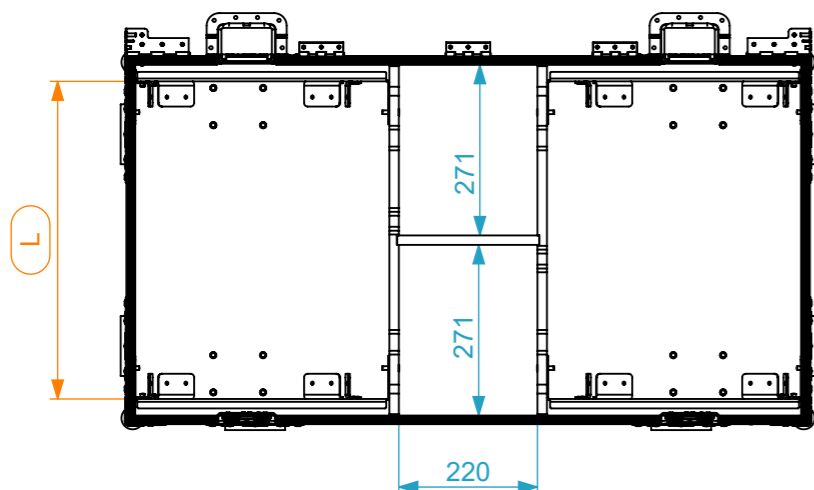


This drawing must not be copied or disclosed without consent of the owner

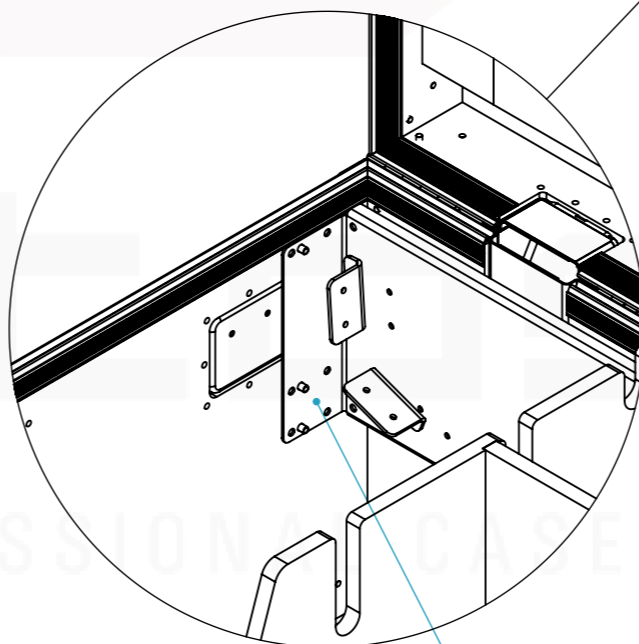
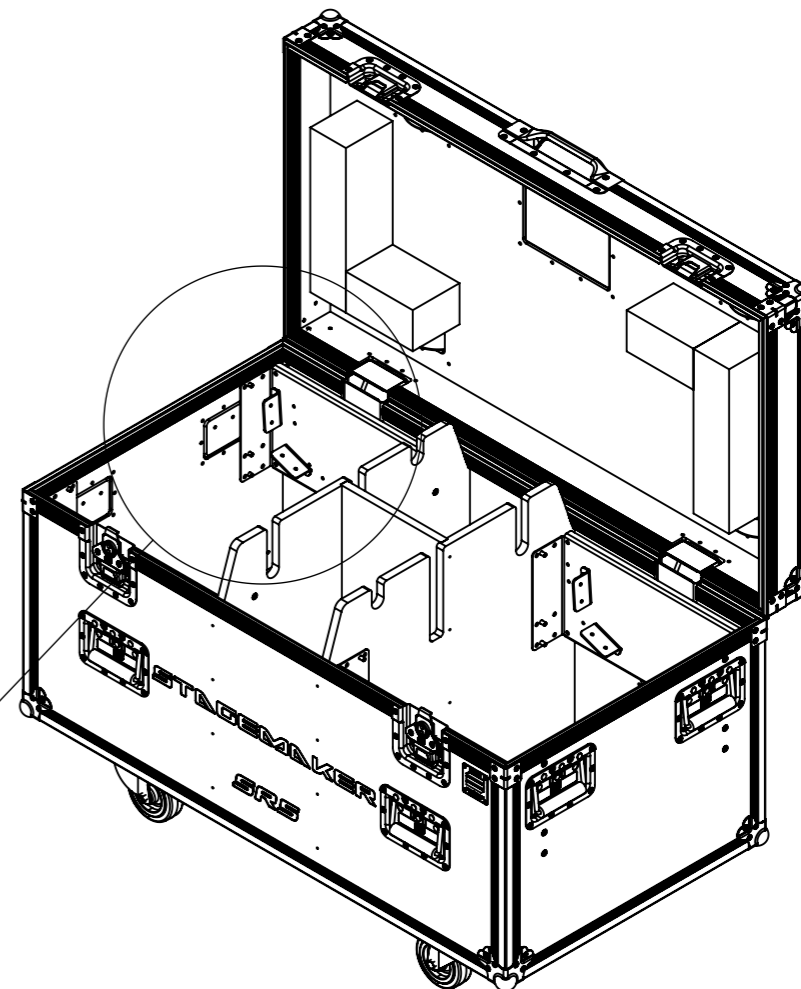
A3

The flightcase is compatible with all STAGEMAKER SR5 configurations:

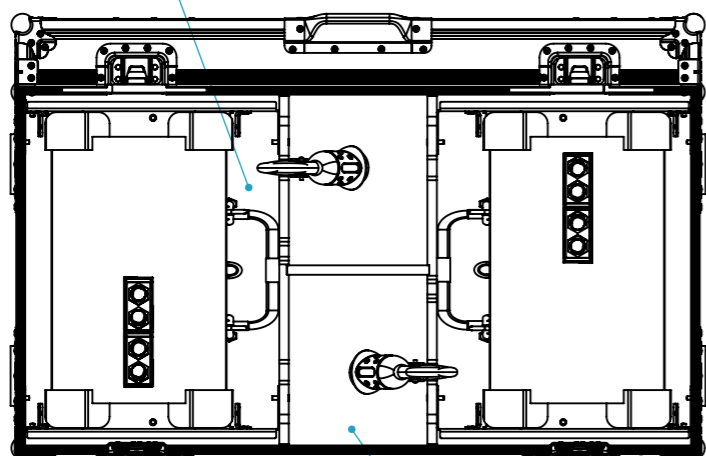
500 kg Climbing Hoist / Hook suspended
Single Brake / Double Brake / Single Phase



SR5 Configuration	Usable Length [L]
DB - Double Brake	504
SB - Single Brake	474
1Ph - Single Phase	512



Compartment for the chain bag



Compartment for hoist chain and electrical cables

The support is adjustable for each configuration of the SR5 Hoist

Chain hoist metallic support
Ref. L03.4020

Drawn by	Name	Date
alexandre	alexandre	16-05-2019
Reference	LIFT.128	
Scale	units in mm	general tolerance
1:12	DO NOT SCALE	0.8mm
Flight case, 2x Verlinde Stagemaker D8 SR5		



This drawing must not be copied or disclosed without consent of the owner

1st Angle projection

A3