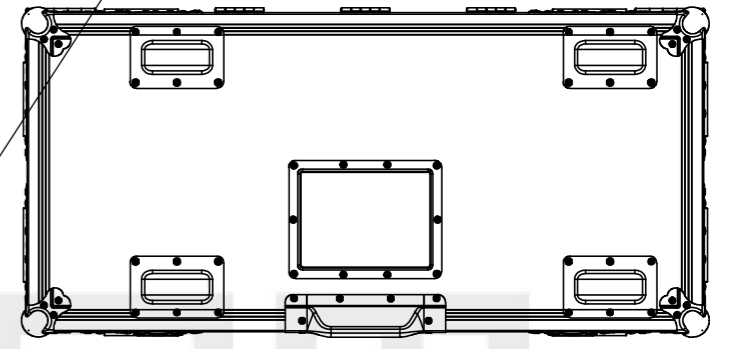
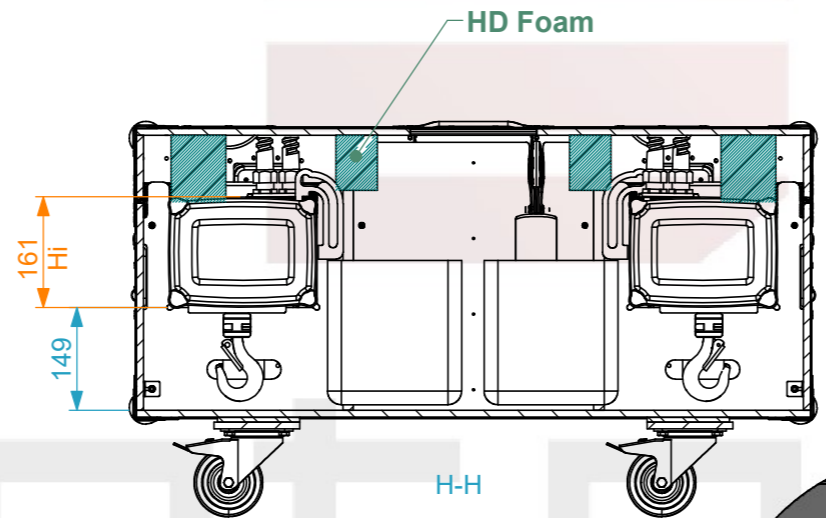
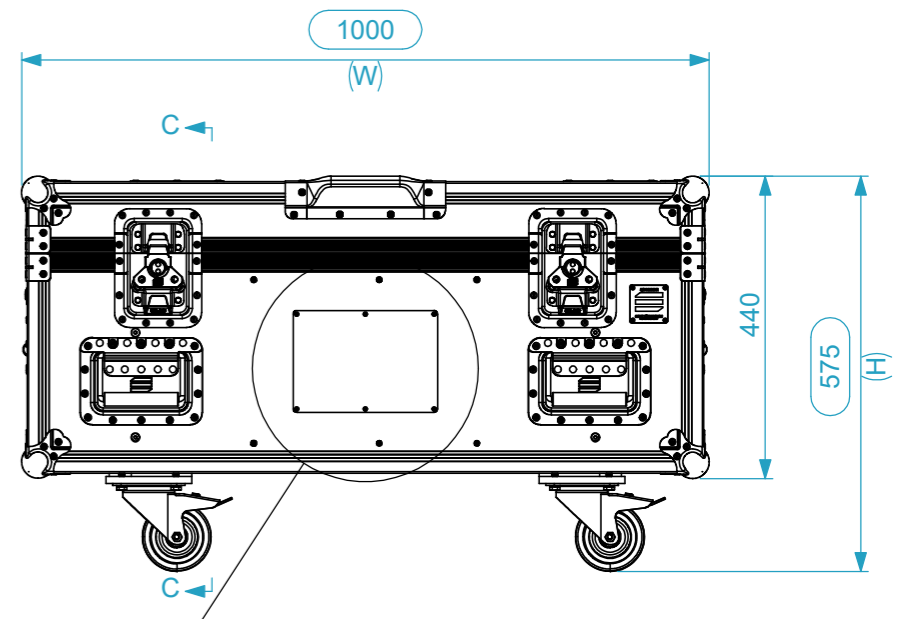
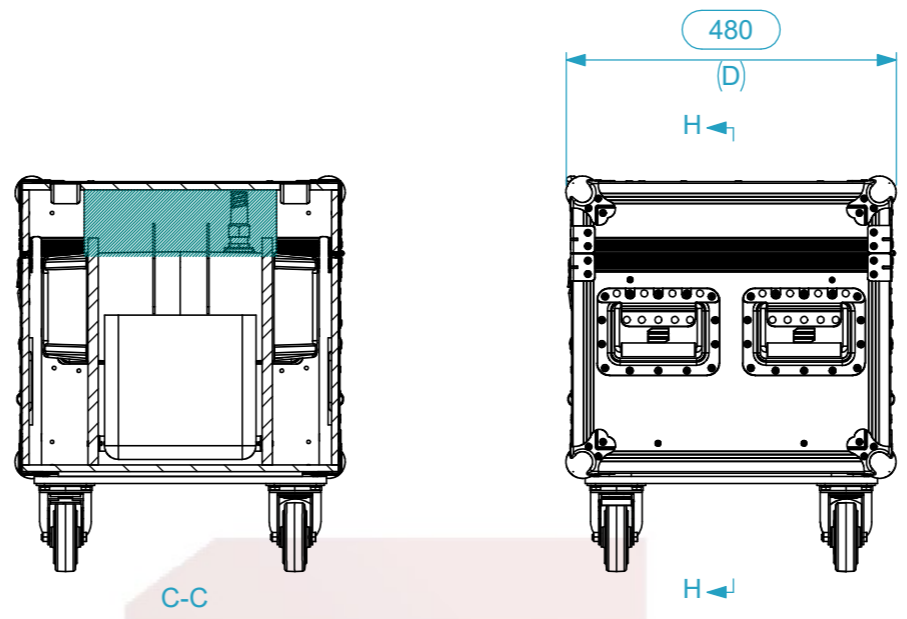
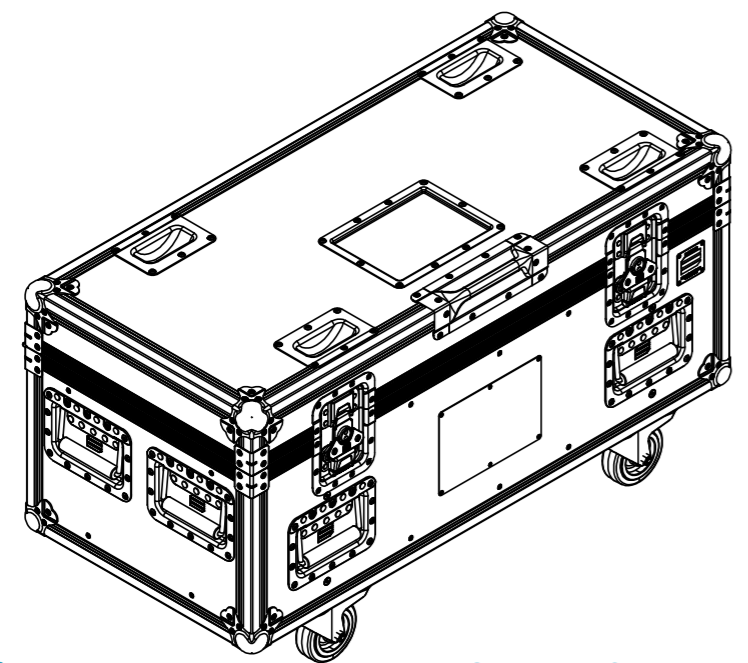
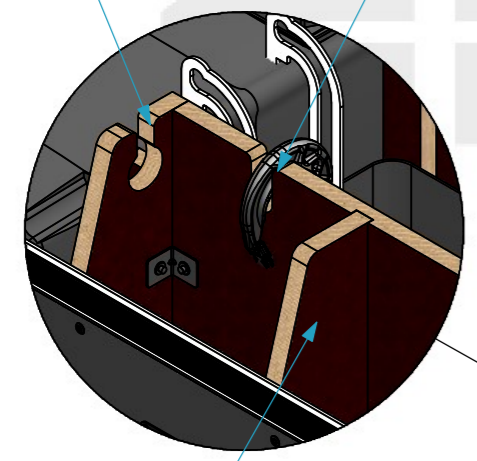


Equipment	EXE Rise D8+ 500 kg	
Width	Depth	Height
398	218	163
Weight	Approx. 41.75 Kg	
Wall Thickness	10mm	



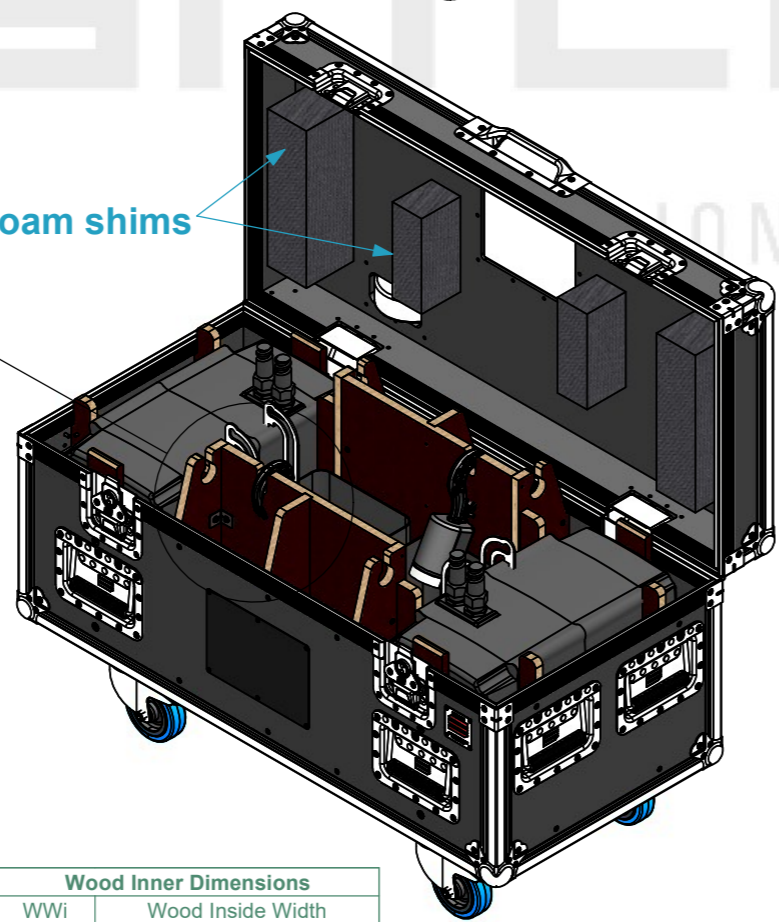
Cut-out for electrical cable

Cut-out for hook



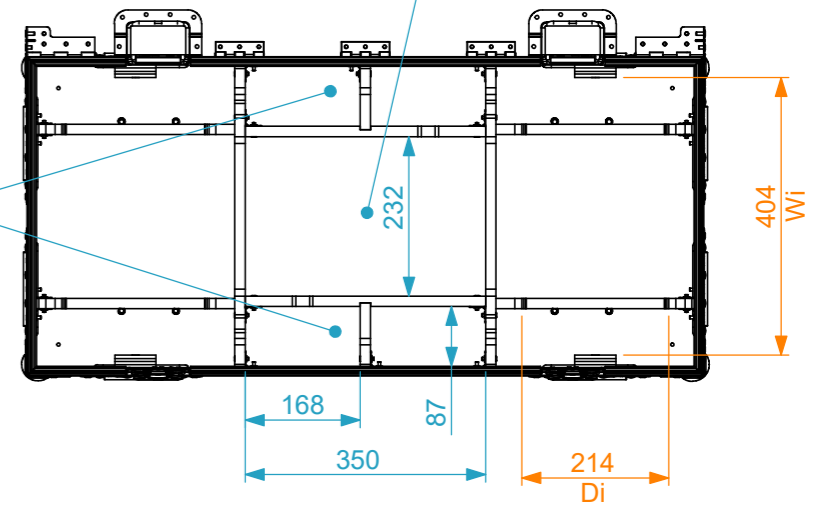
HD Foam shims

Plywood partitions



Compartment for the chain bag

Compartments for chain / electrical cables



General External Dimensions		Usable Inner Dimensions		Wood Inner Dimensions	
W	Width	Wi	Inside Width	WWi	Wood Inside Width
D	Depth	Di	Inside Depth	WDi	Wood Inside Depth
H	Height	Hi	Inside Height	WHi	Wood Inside Height

Name	Date
Drawn by: jose.couto	29/04/2024
Reference	LIFT.121
Scale	1:11
units in mm	general tolerance 0.8mm
Flight case, 2x LITEC EXE-Rise D8+ 500kg DC	

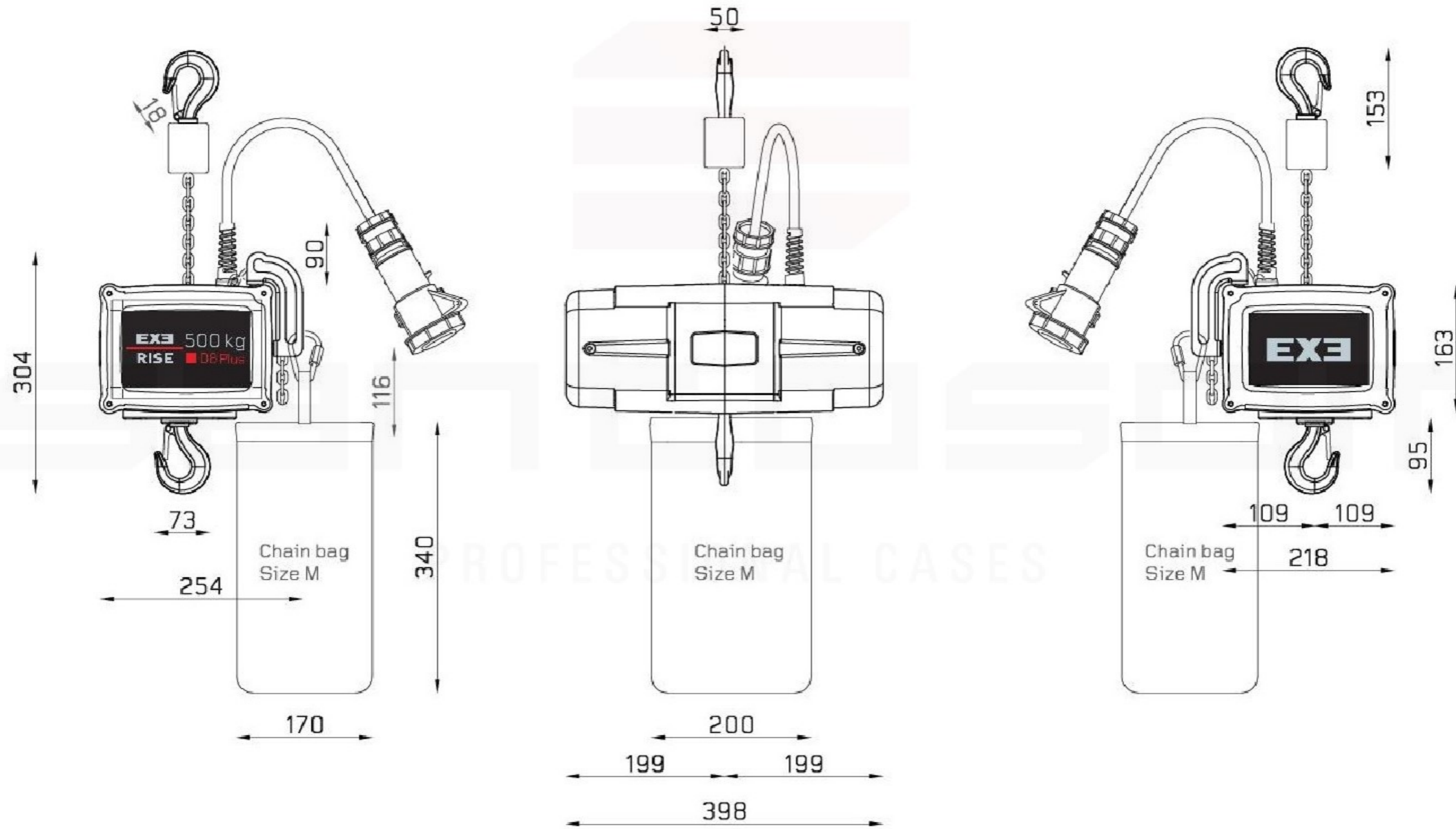


This drawing must not be copied or disclosed without consent of the owner



A3

D8+ 500kg DC



This drawing must not be copied or disclosed without consent of the owner

Drawn by	Name	Date
jose.couto	jose.couto	29/04/2024
Reference	LIFT.121	
Scale	units in mm	general tolerance
1:10	DO NOT SCALE	0.8mm
Flight case, 2x LITEC EXE-Rise D8+ 500kg DC		



A3

