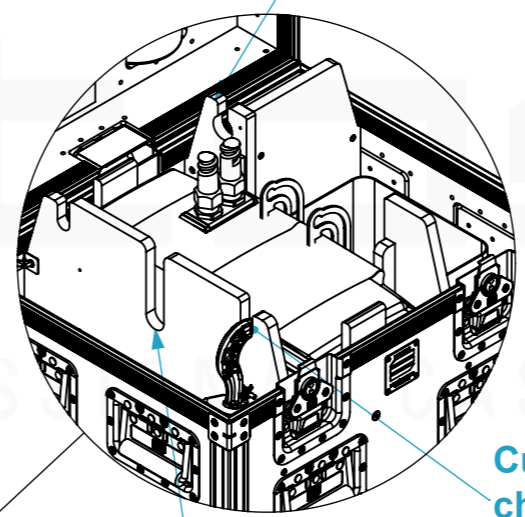
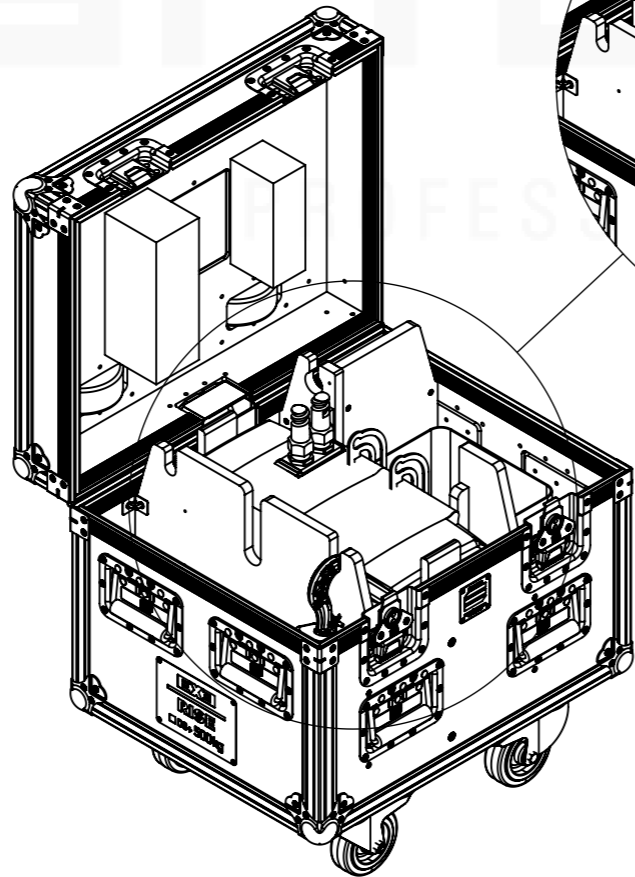
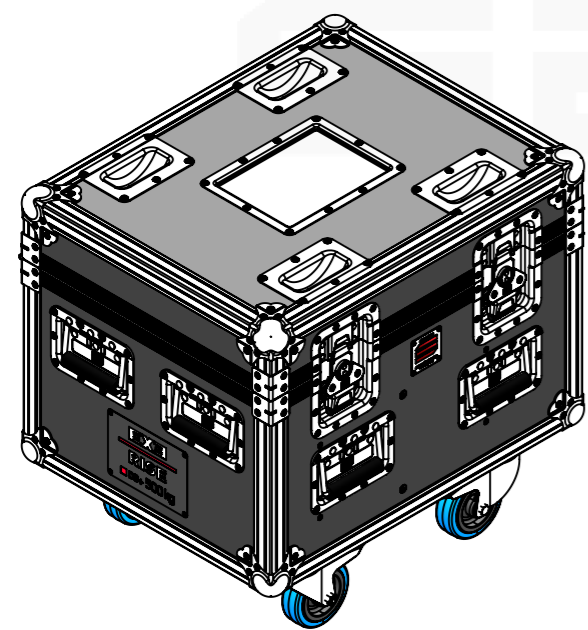
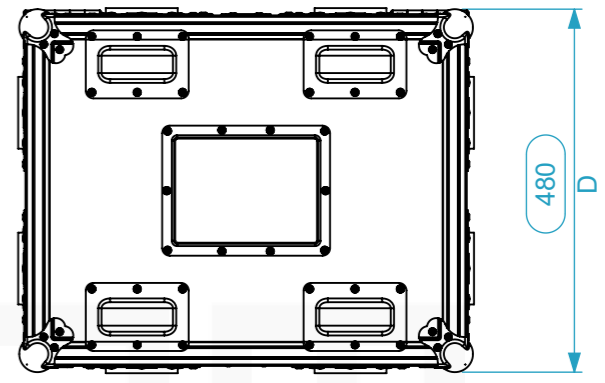
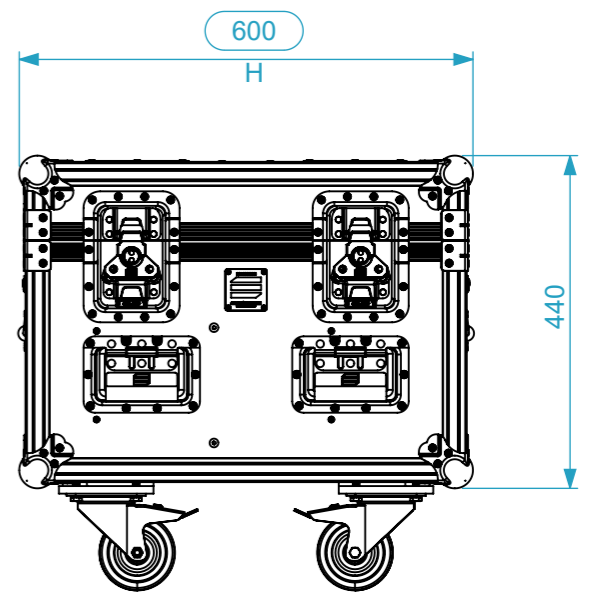
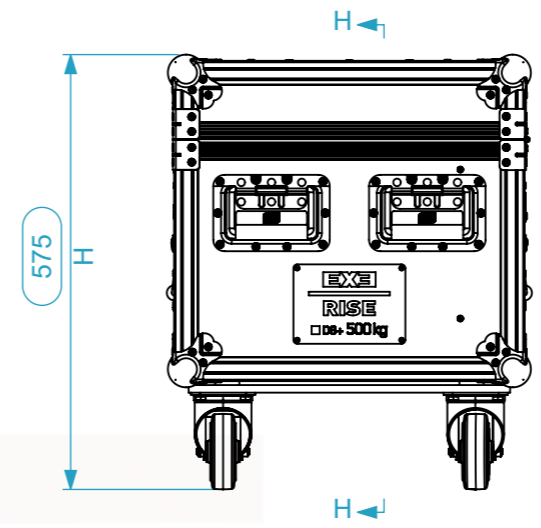
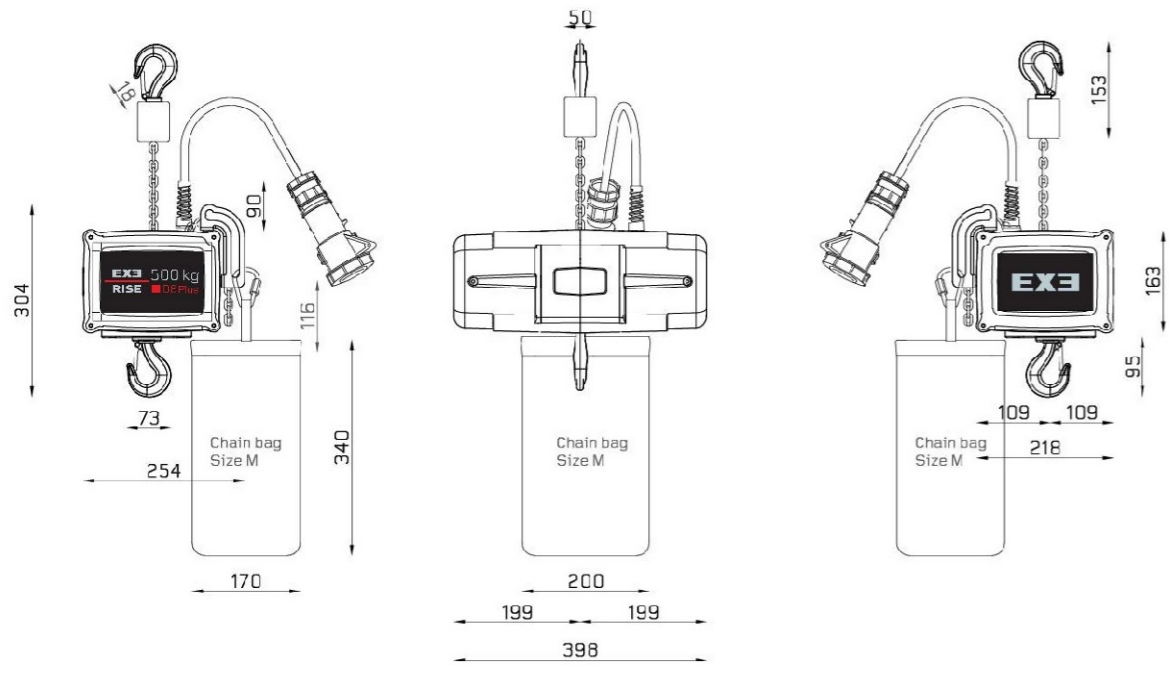


<b>Equipment</b>	EXE Rise D8+ 500 kg	
<b>Width</b>	<b>Depth</b>	<b>Height</b>
398	218	163
<b>Weight</b>	Approx. 27.76 Kg	
<b>Wall Thickness</b>	10mm	

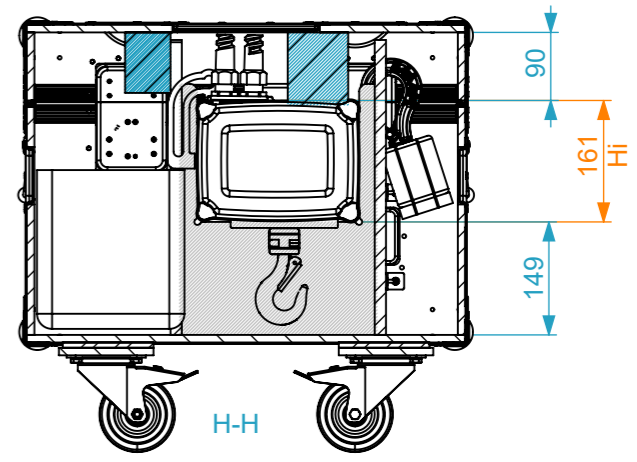
### D8+ 500kg DC



Cut-out for electrical cables

Cut-out for chain hook

Cut-out for chain

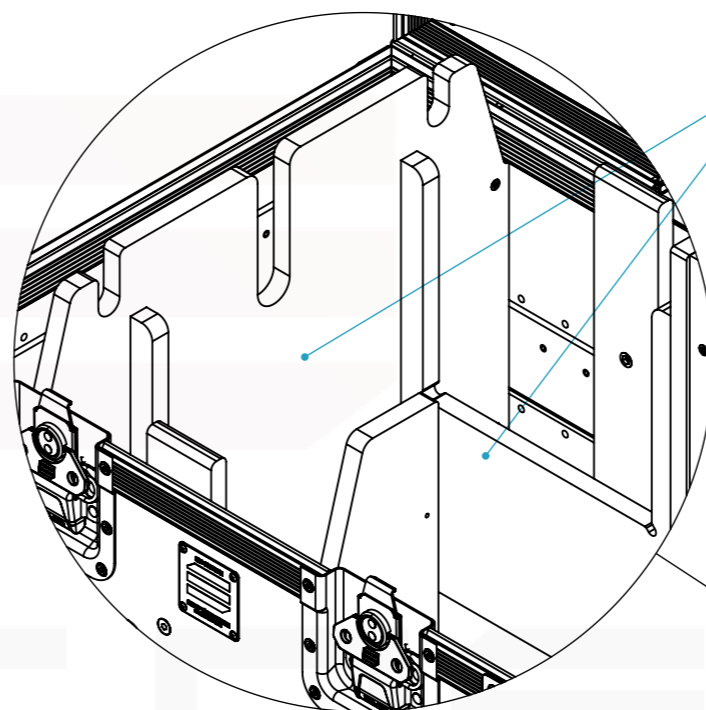
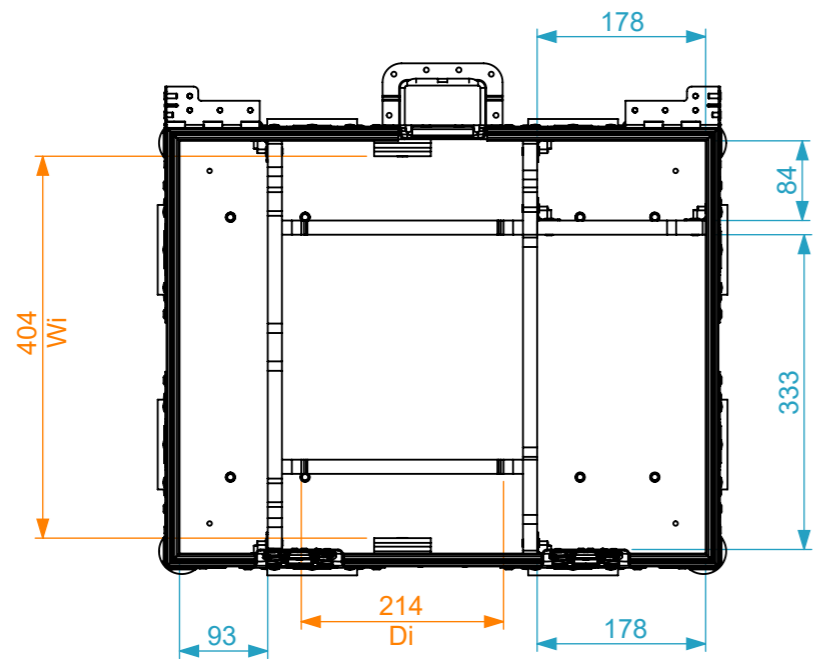


General External Dimensions	
W	Width
D	Depth
H	Height
Usable Inner Dimensions	
Wi	Inside Width
Di	Inside Depth
Hi	Inside Height
Wood Inner Dimensions	
WWi	Wood Inside Width
WDi	Wood Inside Depth
WHi	Wood Inside Height

This drawing must not be copied or disclosed without consent of the owner

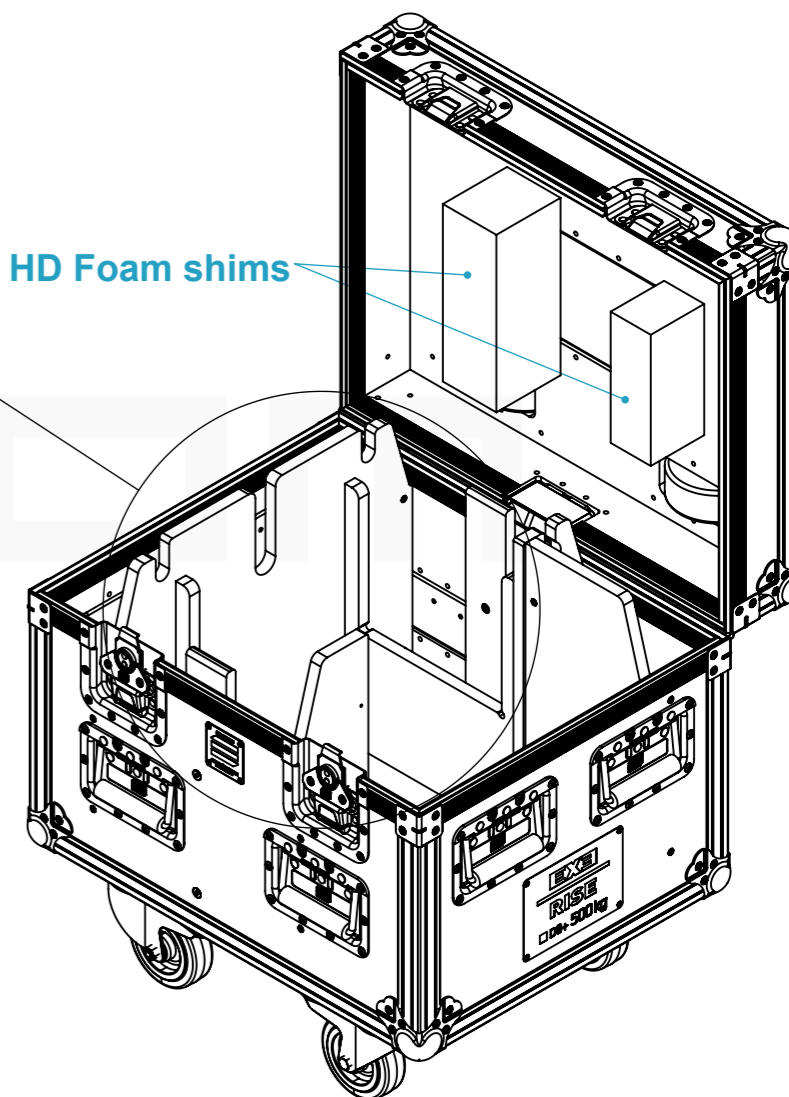
Drawn by	alexandre	Date	20/11/2020
Reference	LIFT.120A		
Scale	1:10	units in mm	general tolerance 0.8mm
1st Angle projection	Flight case PRO, LITEC EXE-Rise D8+ 500kg DC		



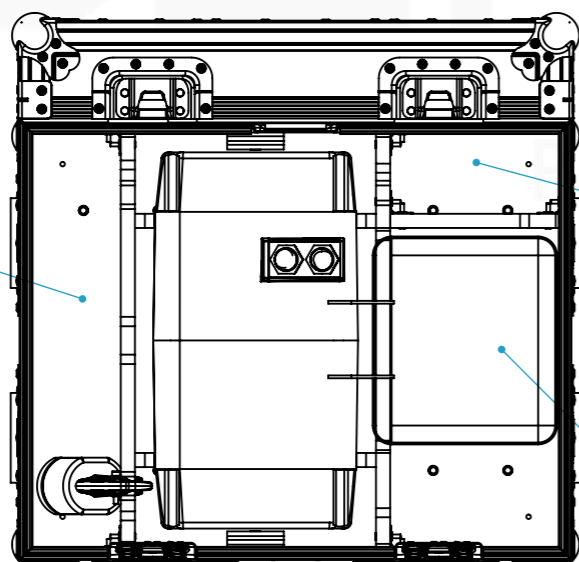


Plywood dividers

HD Foam shims



Compartments for hoist chain



Compartment for electrical cables and socket

Compartment for the chain bag

Drawn by	Name	Date
alexandre	alexandre	20/11/2020
Reference	LIFT.120A	
Scale	units in mm	general tolerance
1:8	DO NOT SCALE	0.8mm
Flight case PRO, LITEC EXE-Rise D8+ 500kg DC		



This drawing must not be copied or disclosed without consent of the owner

1st Angle projection

A3