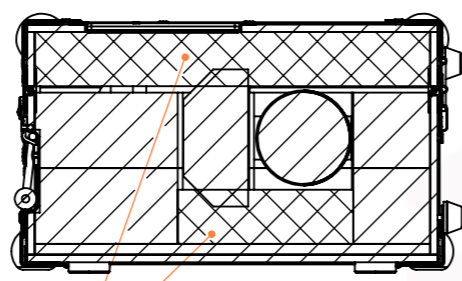
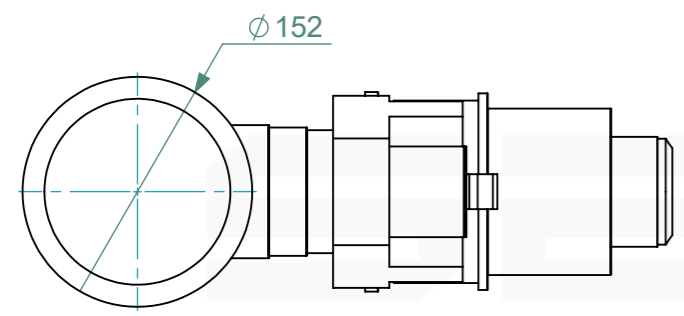
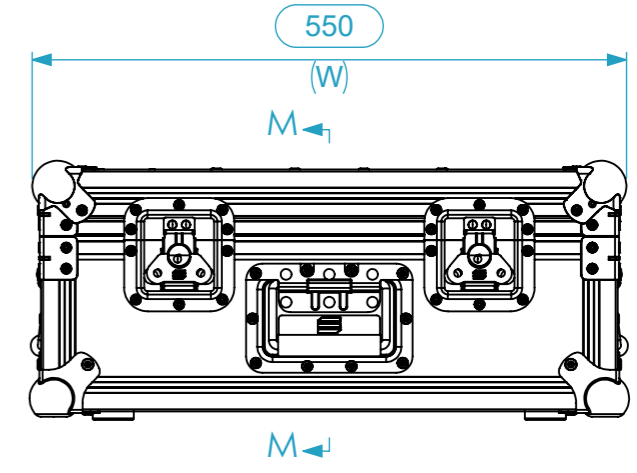
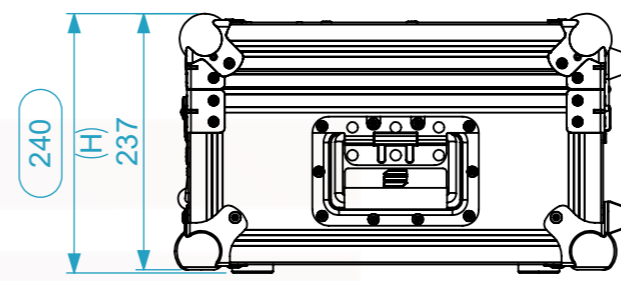


Equipment	Lens WUXGA 0,37	
Width	Depth	Height
430	264	152
Weight	Approx. Kg	
Internal Dimensions		
Width	Depth	Height
513	363	203
Weight	Approx. 8 Kg	
Wall Thickness		7mm



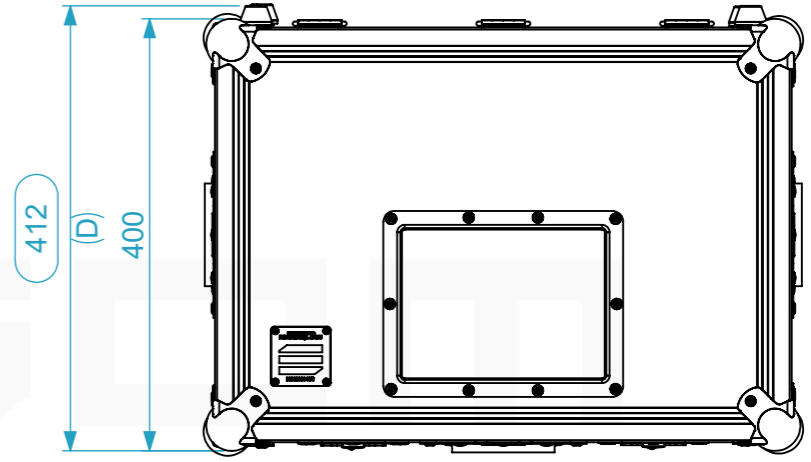
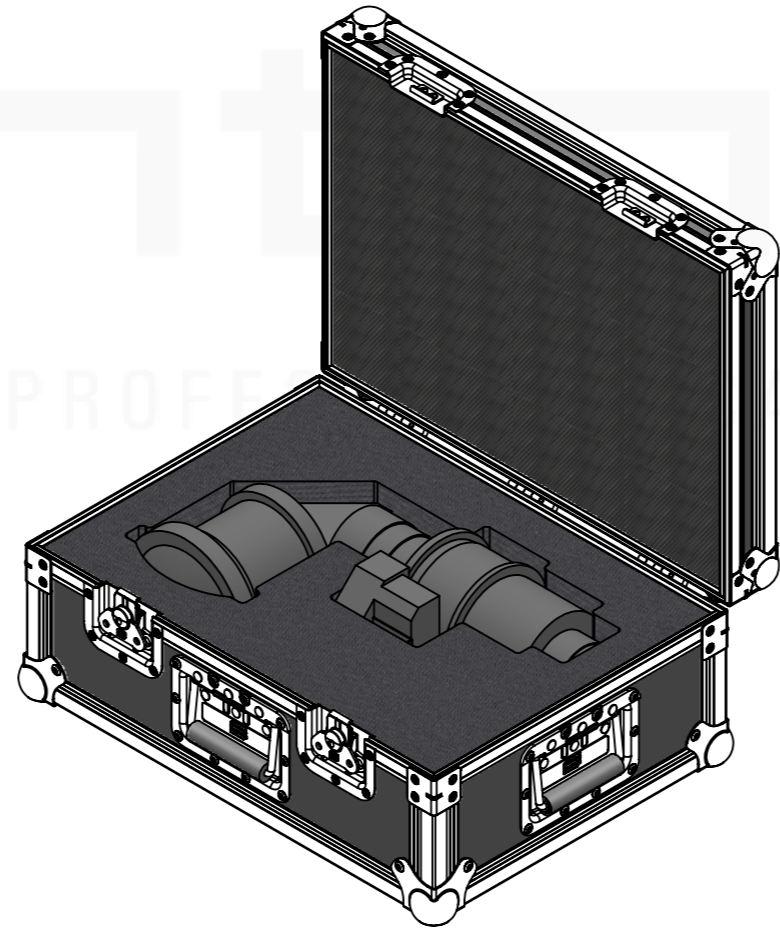
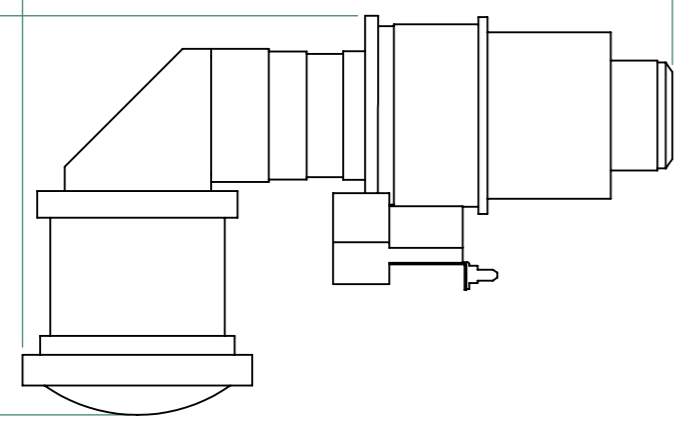
EggBox Foam 50mm
Presses 28mm

M-M



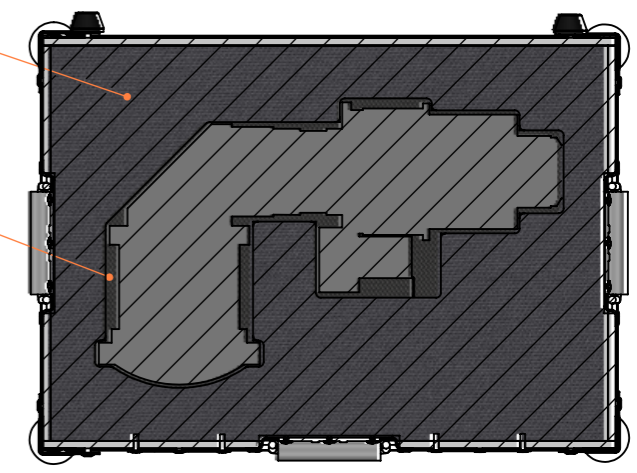
430
W

264
D



HD Foam

EggBox Foam 50mm
Presses 28mm



L-L

General External Dimensions		Usable Inner Dimensions	
W	Width	Wi	Inside Width
D	Depth	Di	Inside Depth
H	Height	Hi	Inside Height

A3 This drawing must not be copied or disclosed without consent of the owner

Name	Date
projects	17/02/2022
Reference	LENS.178
Scale	1:7
units in mm	general tolerance 0.8mm
DO NOT SCALE	
Flight case, Lens WUXGA 0,37	

