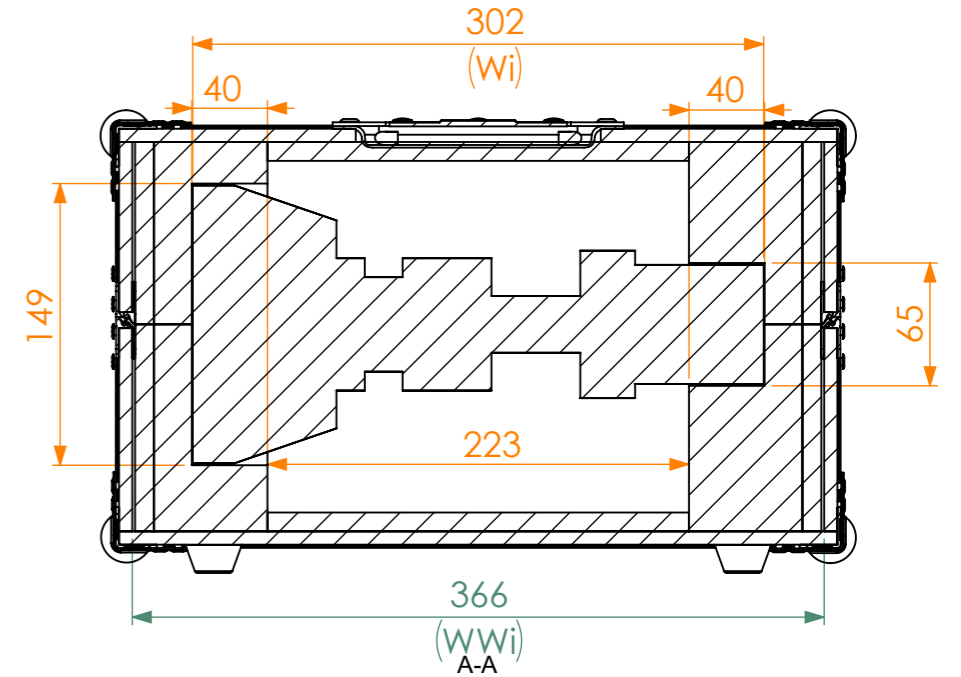
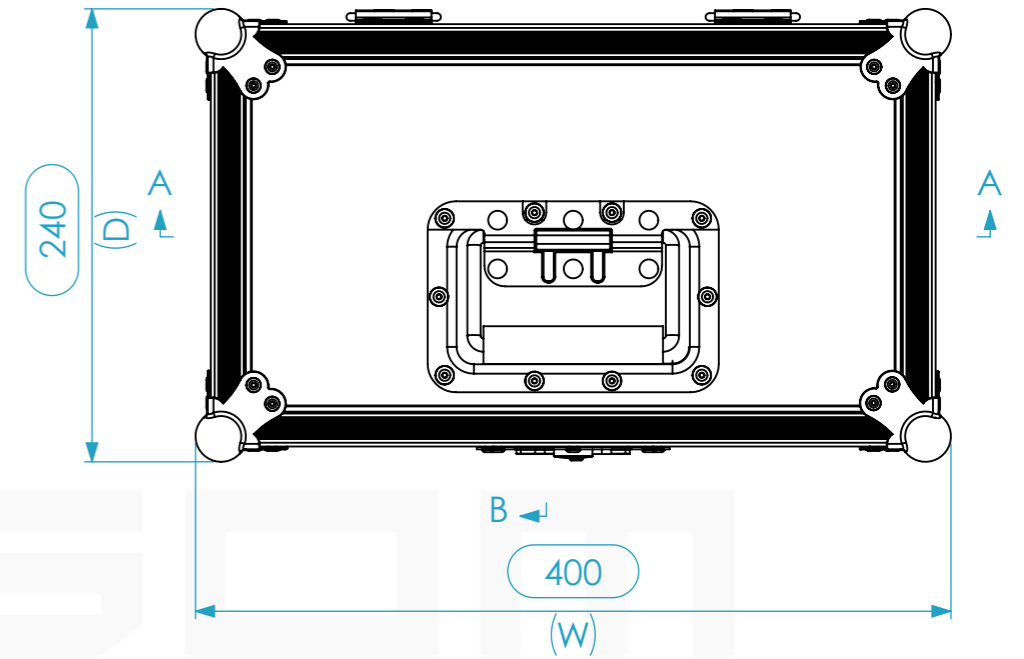
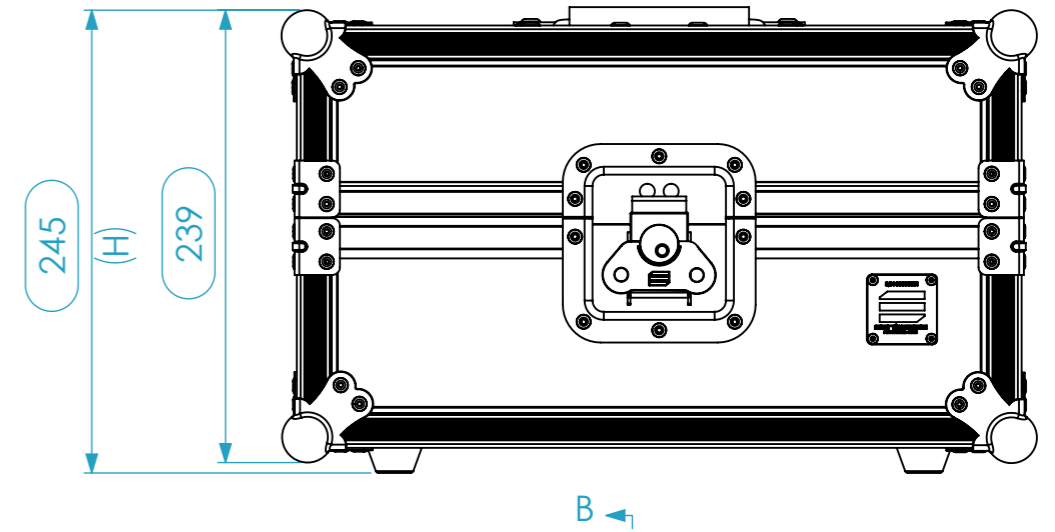
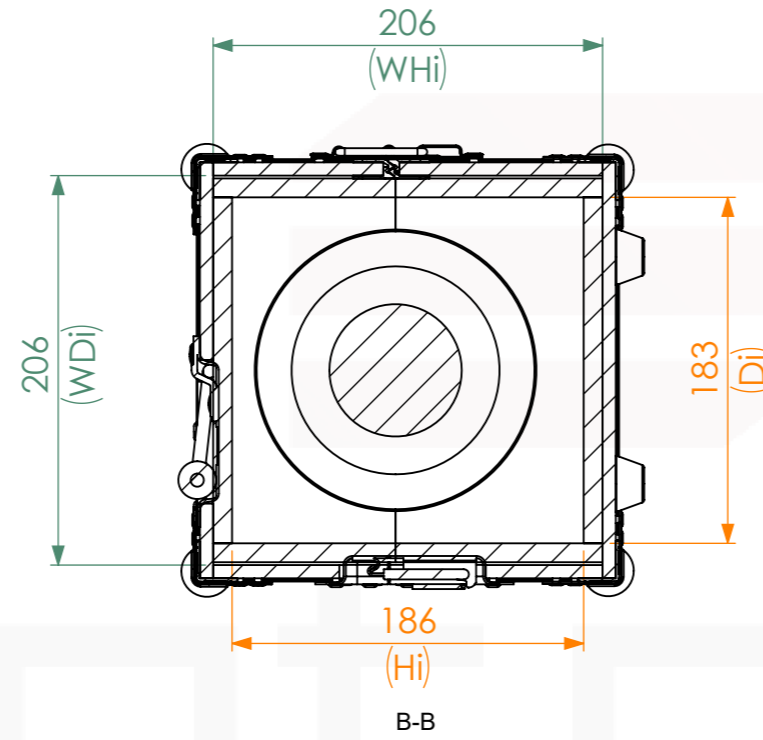
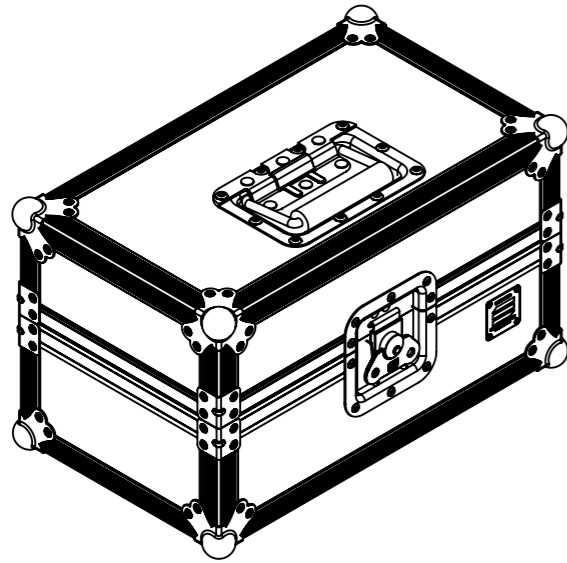
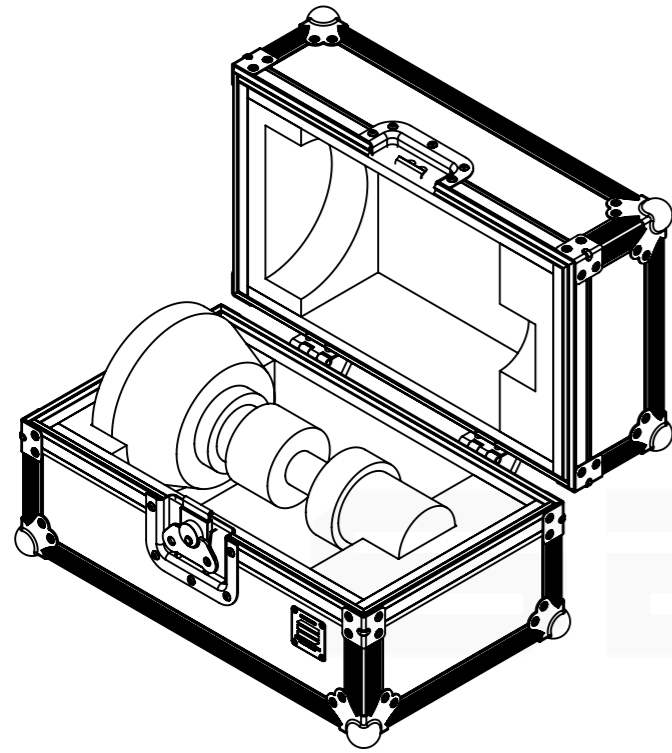
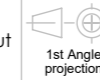


Internal Dimensions		
Width	Depth	Height
363	203	206
Weight	Approx. 5 Kg	
Wall Thickness	7mm	



General External Dimensions		Usable Inner Dimensions (UID)		Wood Inner Dimensions (WID)	
W	Width	Wi	Inside Width	WWi	Wood Inside Width
D	Depth	Di	Inside Depth	WDi	Wood Inside Depth
H	Height	Hi	Inside Height	WHi	Wood Inside Height

This drawing must not be copied or disclosed without consent of the owner



Scale 1:4

units in mm  
DO NOT SCALE  
general tolerance 0.8mm

FLIGHT CASE, SANYO LNS-W07

Name CatarinaHenriques  
Date 25/06/2018

Reference LENS.157



A3