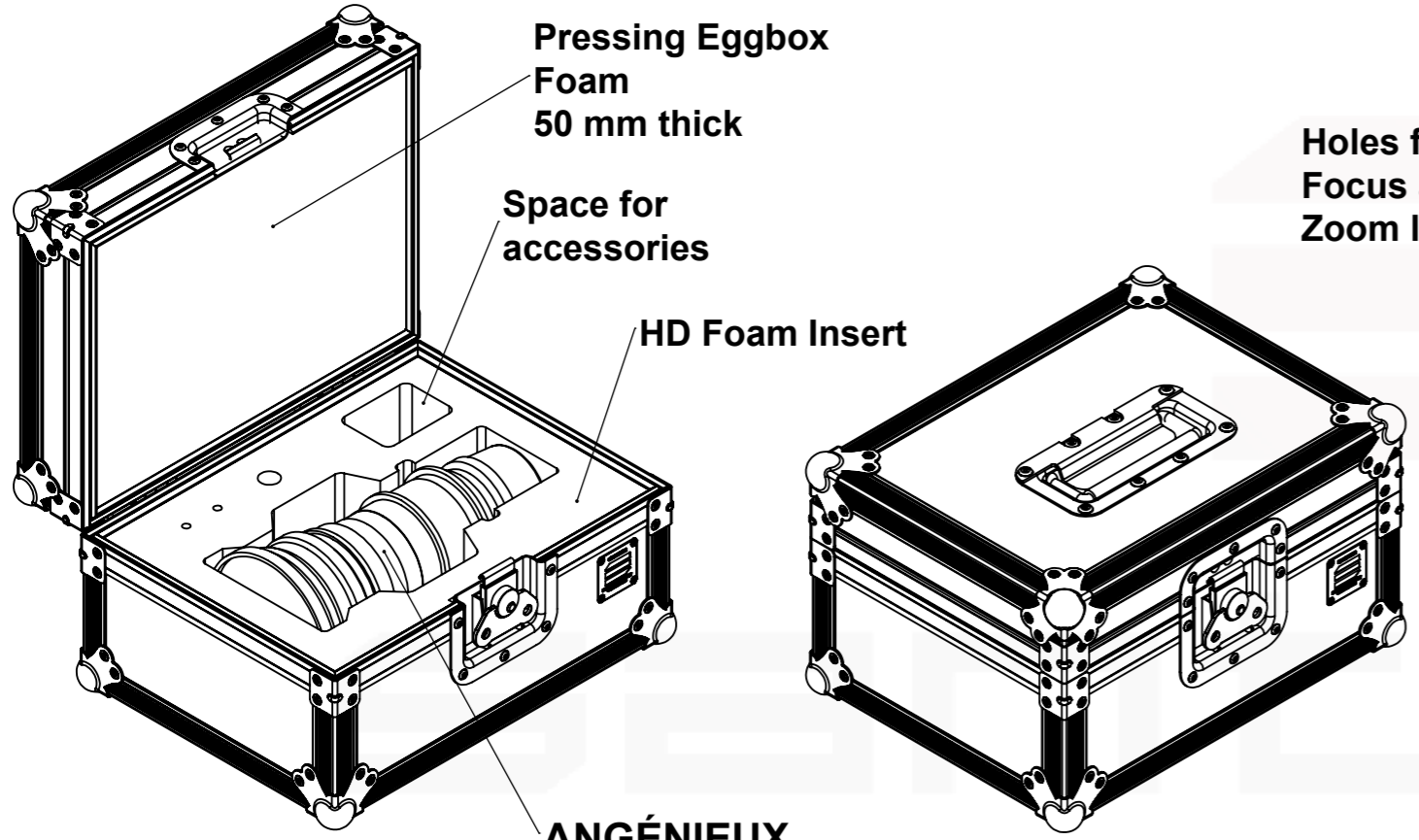
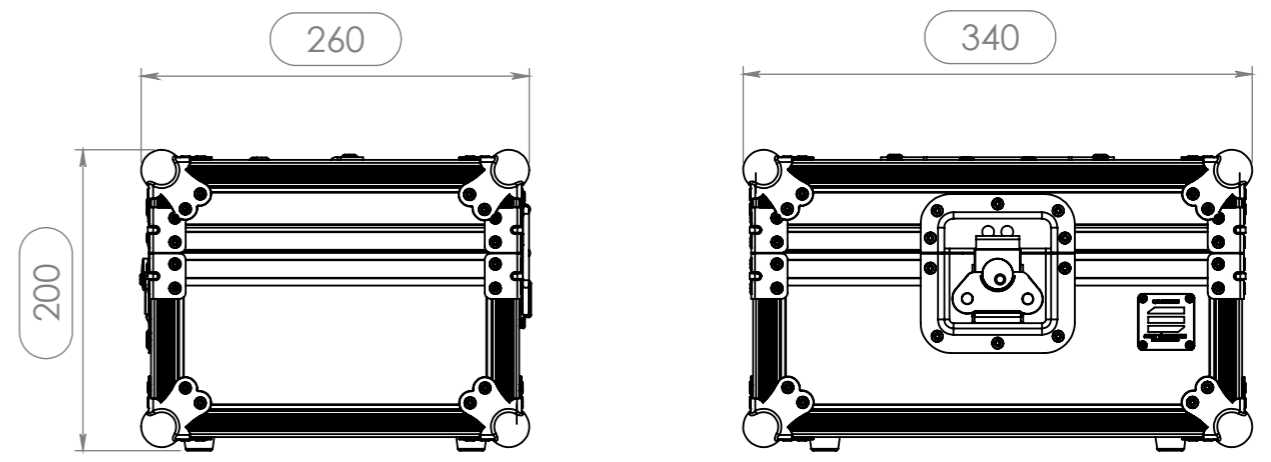


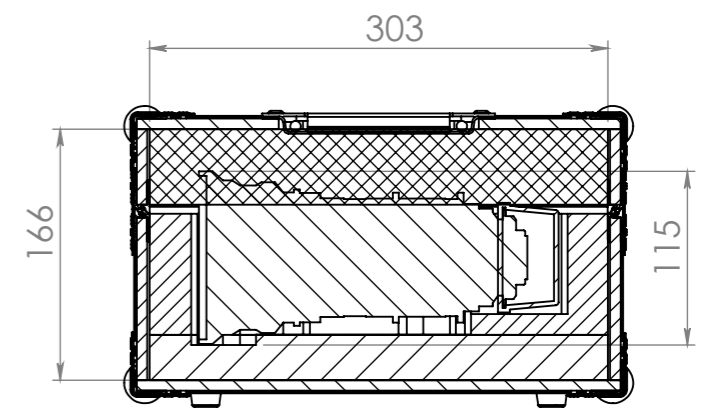
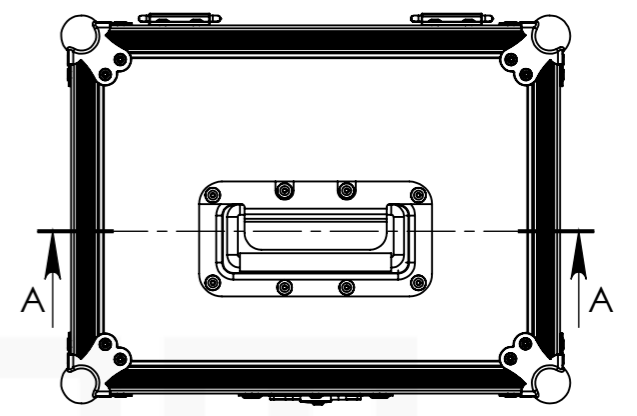
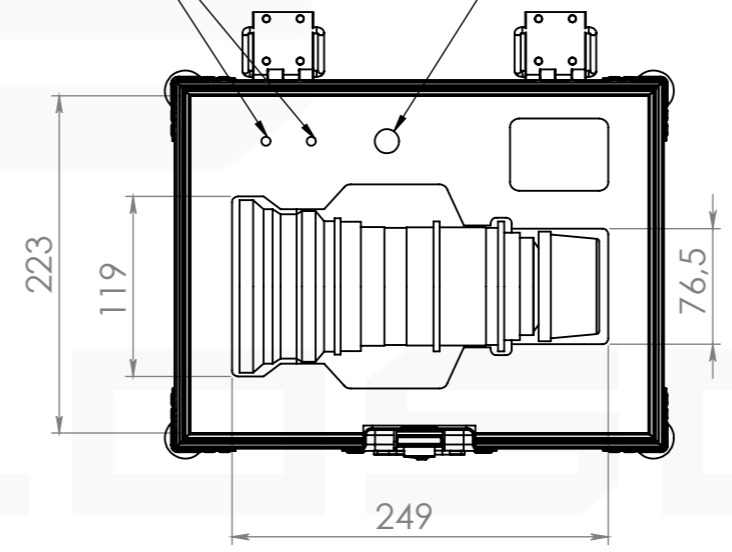
|                            |                         |               |
|----------------------------|-------------------------|---------------|
| <b>Equipment</b>           | ANGÉNIEUX Optimo 45-120 |               |
| <b>Width</b>               | <b>Depth</b>            | <b>Height</b> |
| 218                        | 114                     | 114           |
| <b>Internal Dimensions</b> |                         |               |
| <b>Width</b>               | <b>Depth</b>            | <b>Height</b> |
| 303                        | 223                     | 166           |
| <b>Weight</b>              | Approx. 4 Kg            |               |
| <b>Wall Thickness</b>      | 7mm                     |               |



**ANGÉNIEUX OPTIMO 45-120**

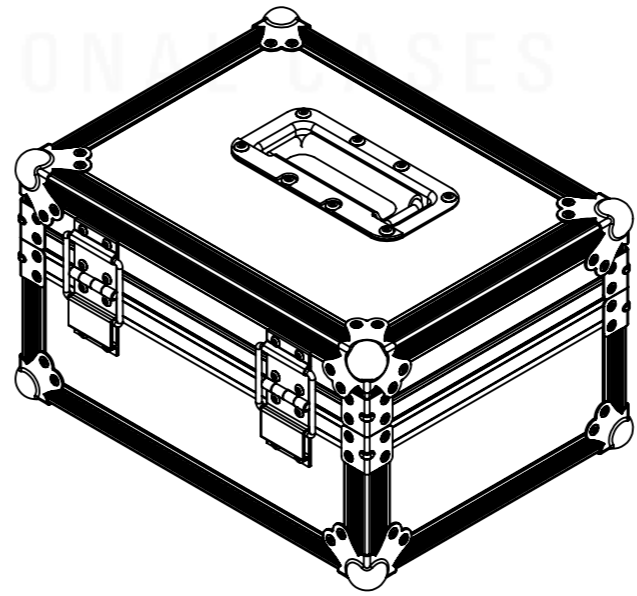


Holes for Focus and Zoom levers  
Hole for Intermediate support



SECTION A-A

| Hardware |            |   |
|----------|------------|---|
| Qty      | Ref.       | Description                             |
| 8        | 40407      | Medium corner-brace zinc plated 1,0mm   |
| 8        | C1345Z     | Small ball corner - 3 leg - zinc plated |
| 1        | CHAPA.1001 | Identification Plate                    |
| 1        | 17290S     | Key lockable medium Butterfly special   |
| 2        | 2524       | Heavy Duty Strut Hinge                  |
| 1        | 340822     | Recessed sprung handle - Small          |
| 4        | 4903       | Rubber foot 20 x 9 mm, black            |



This drawing must not be copied or disclosed without consent of the owner

|                      |                                     |                   |
|----------------------|-------------------------------------|-------------------|
| Drawn by             | Name                                | Date              |
| alexandre            | alexandre                           | 20/01/2017        |
| Reference            | LENS.154                            |                   |
| Scale                | units in mm                         | general tolerance |
| 1:5                  | DO NOT SCALE                        | 0.8mm             |
| 1st Angle projection | FLIGHTCASE OPTIMO ANGÉNIEUX 45/120M |                   |

