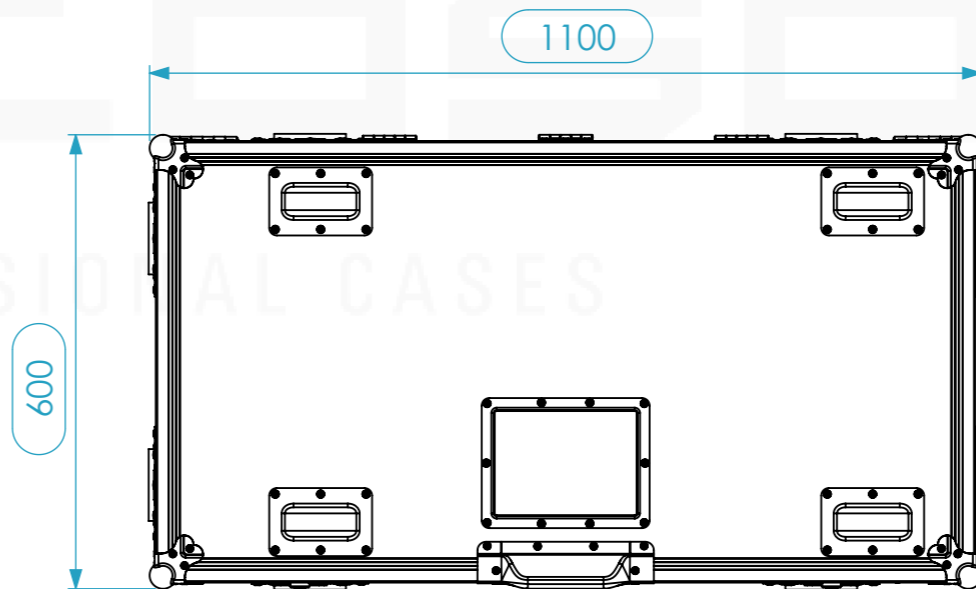
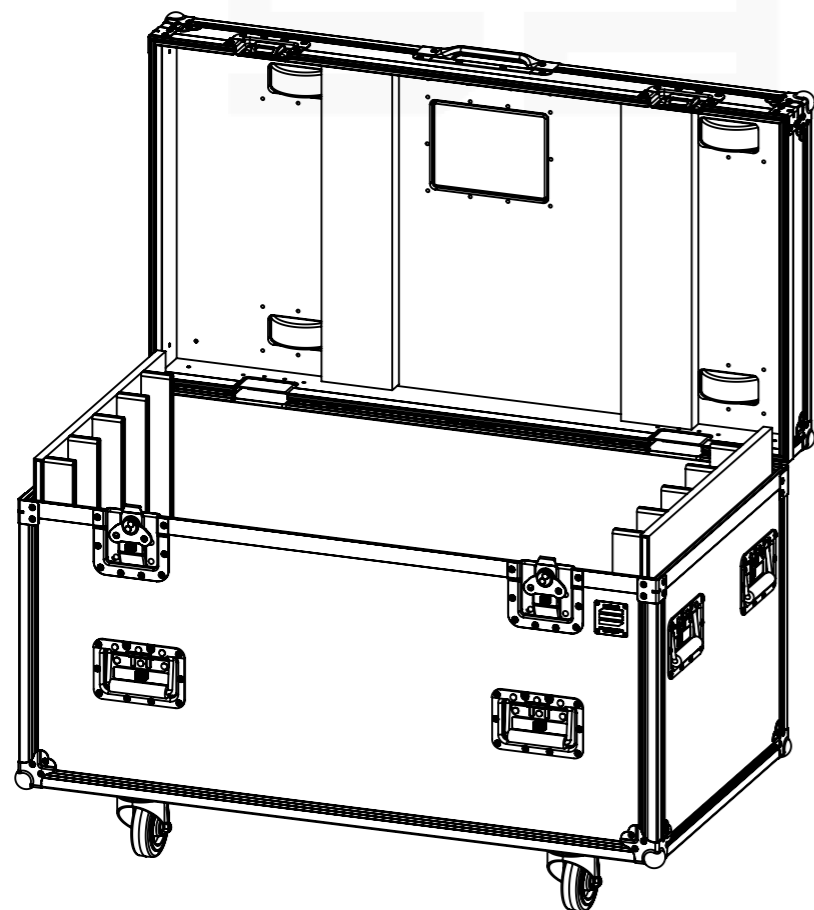
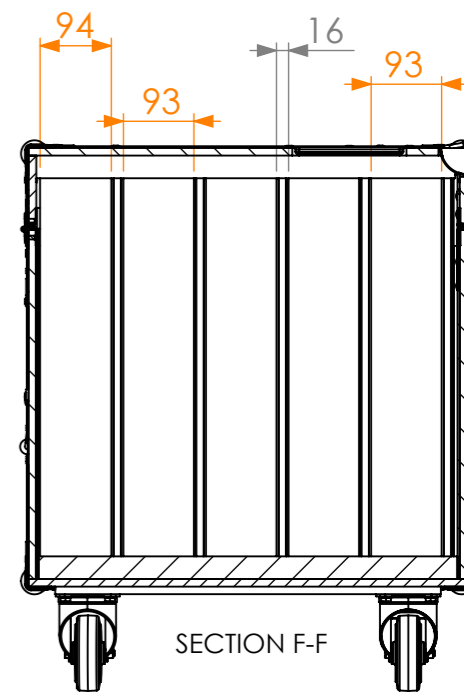
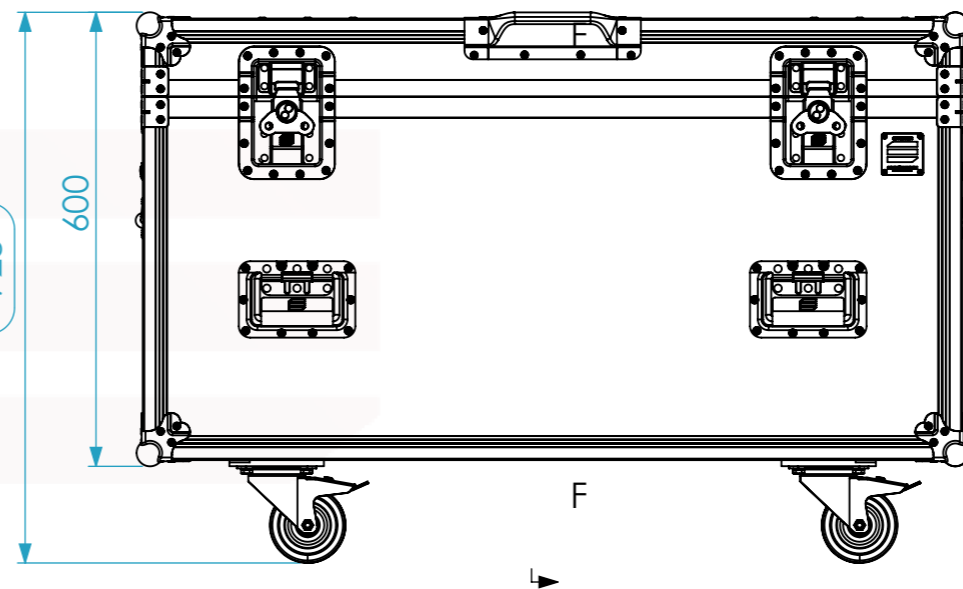
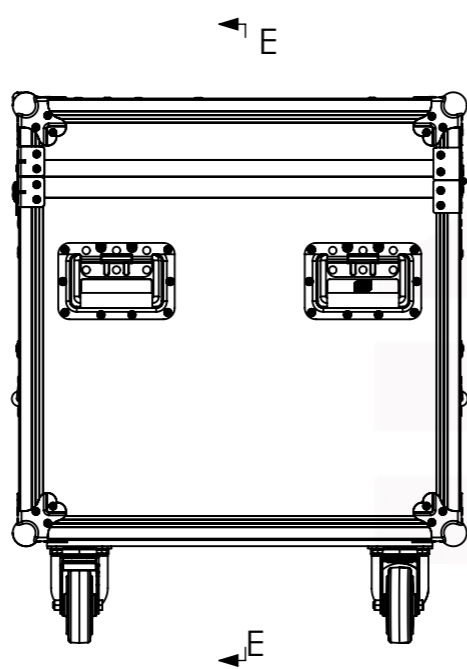
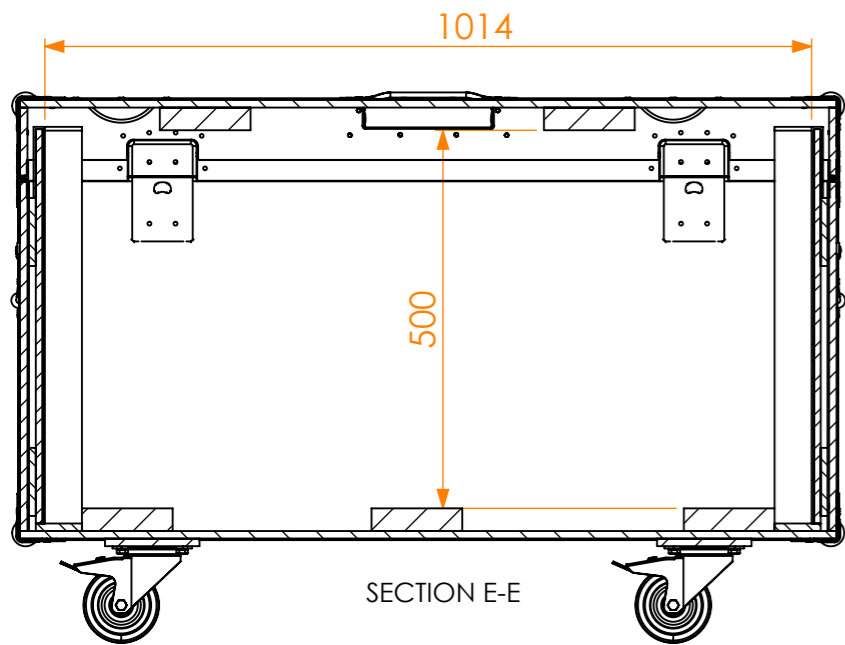


Internal Dimensions		
Width	Depth	Height
1056	556	560
Weight	Approx. 46 Kg	
Wall Thickness		10mm



Name	Date
CarlaSilva	14/09/2021

Reference LED.360R

Scale	units in mm	general tolerance
1:10	DO NOT SCALE	0.8mm

FC. 5x Led (1000)x90x500mm



This drawing must not be copied or disclosed without consent of the owner

A3

