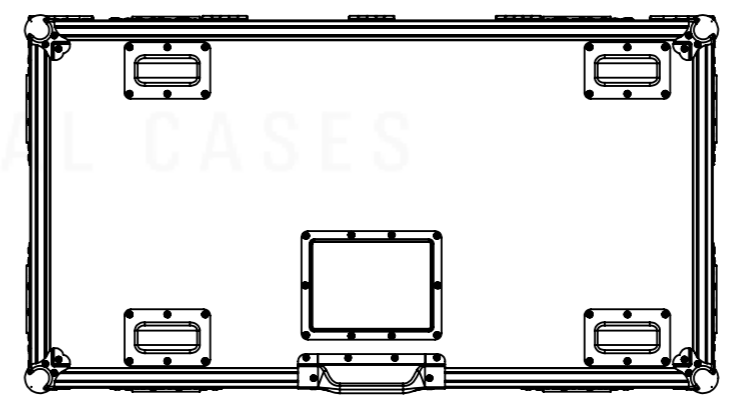
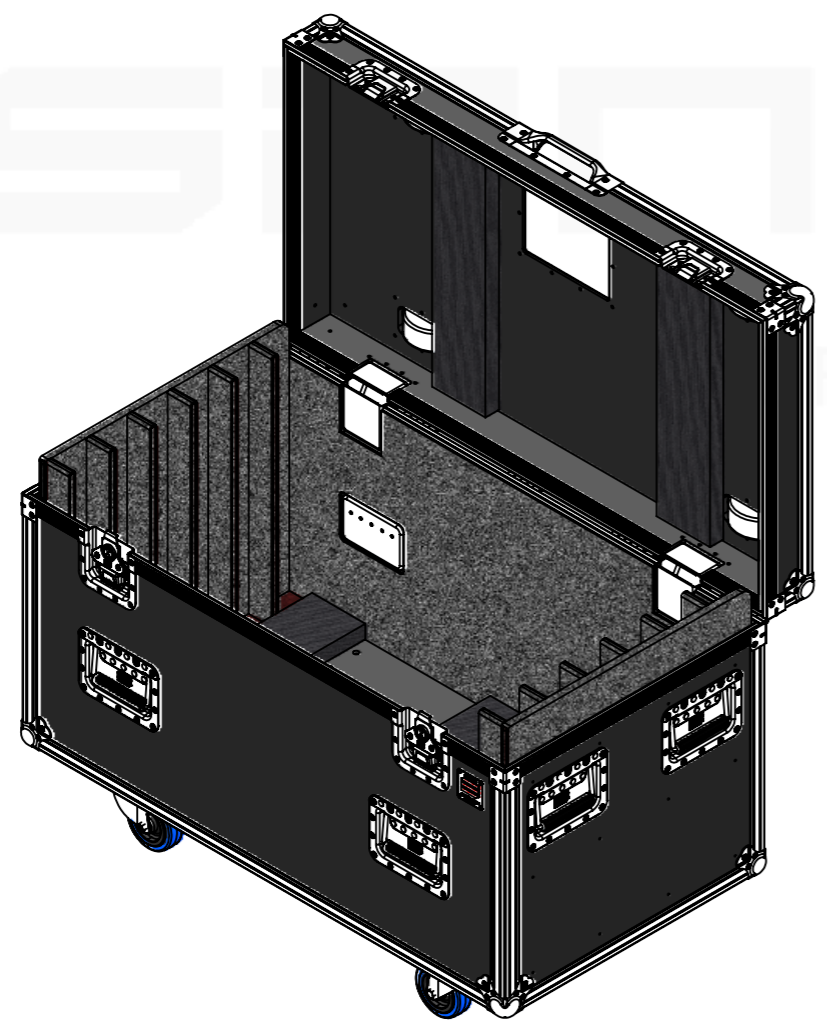
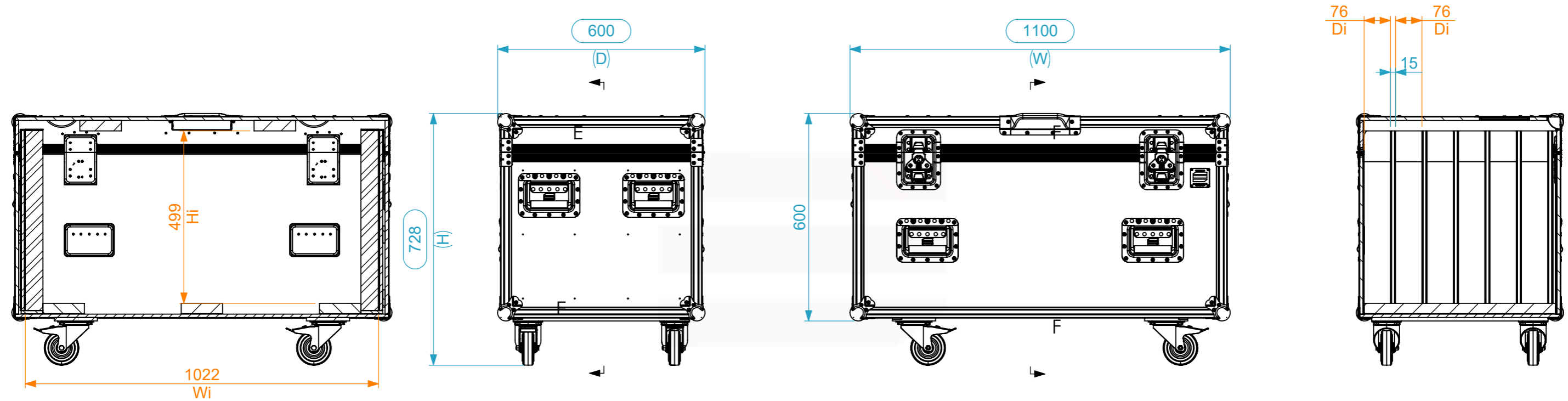


Internal Dimensions		
Width	Depth	Height
1060	560	560
Weight	Approx. 49 Kg	
Wall Thickness		10mm



Drawn by	Name	Date
jose.couto	jose.couto	13/01/2023
Reference	LED.312R	
Scale	units in mm	general tolerance
1:12	DO NOT SCALE	0.8mm
FC. 6X LED (1000+15)x500x75MM		

This drawing must not be copied or disclosed without consent of the owner



A3