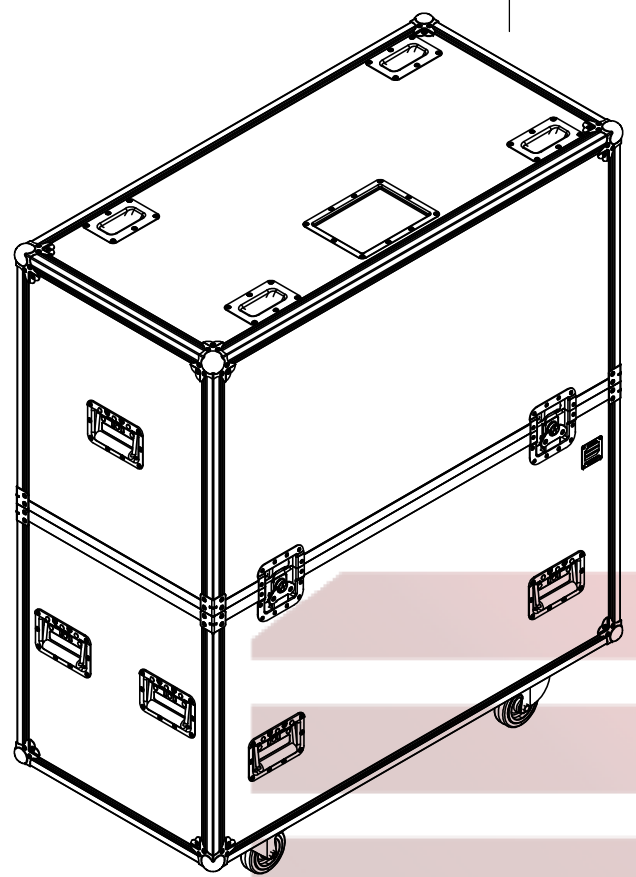


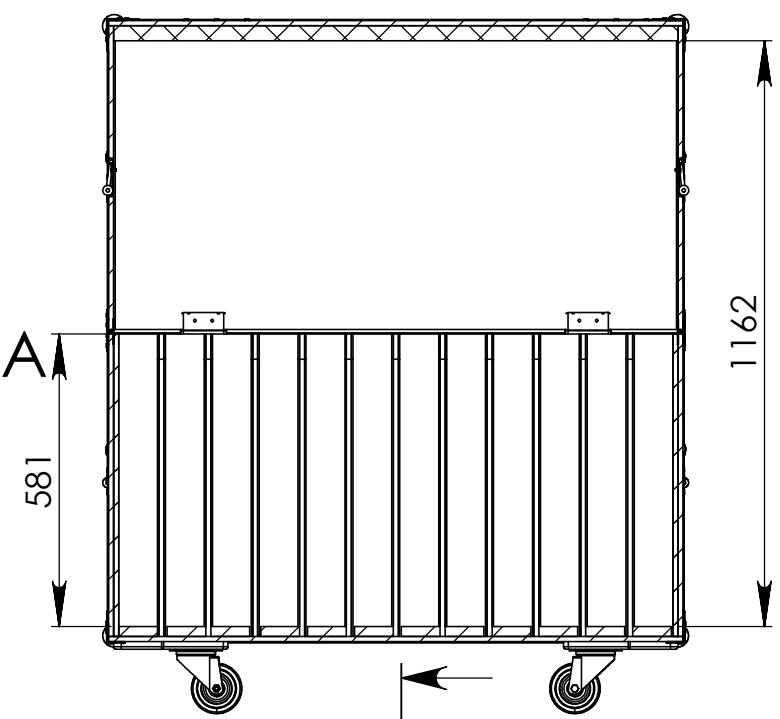
Interior dimensions

Width	Depth	Height
77	1100	1162
Weight	Approx. 66 Kg	
Wall Thickness	10mm	

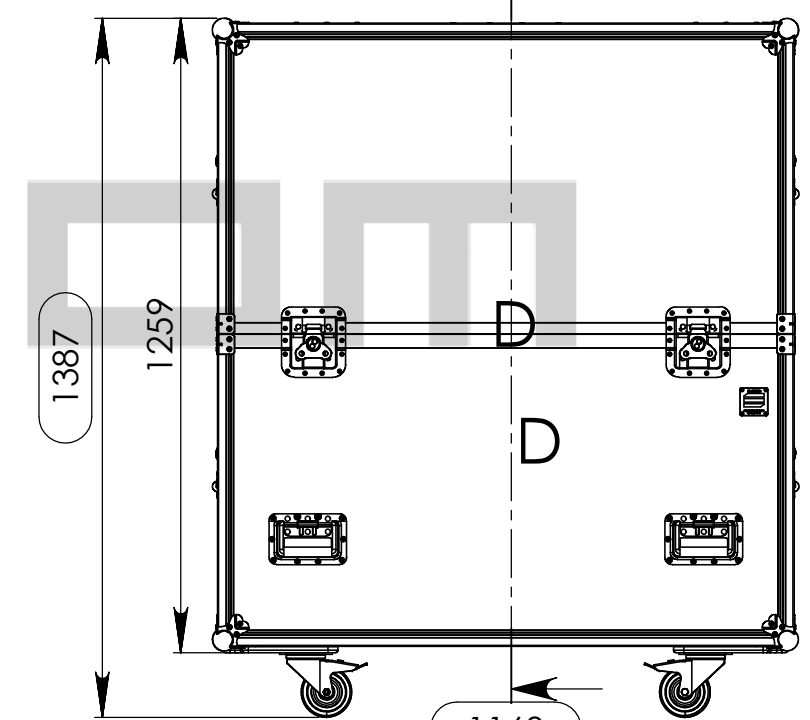
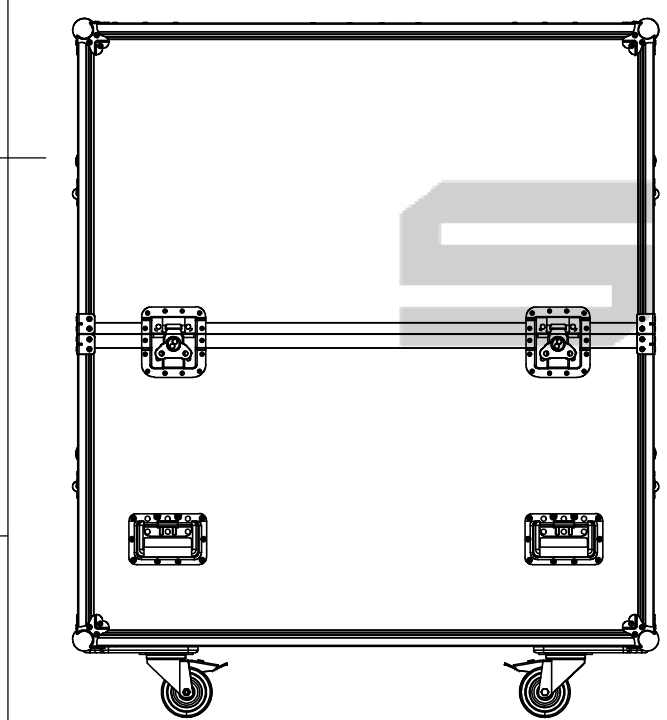
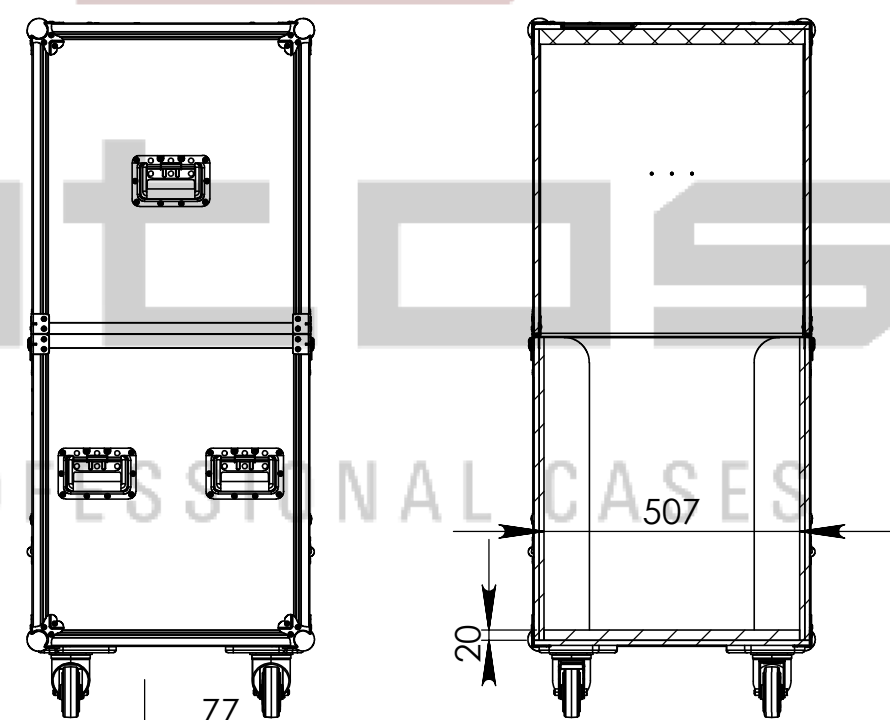
REVISIONS				
ZONE	REV.	DESCRIPTION	DATE	APPROVED
-	-	Final Drawing	05/03/2015	Carlos Rodrigues



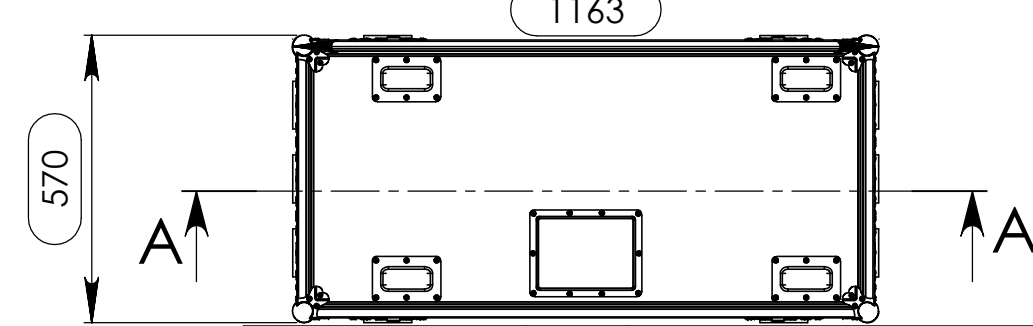
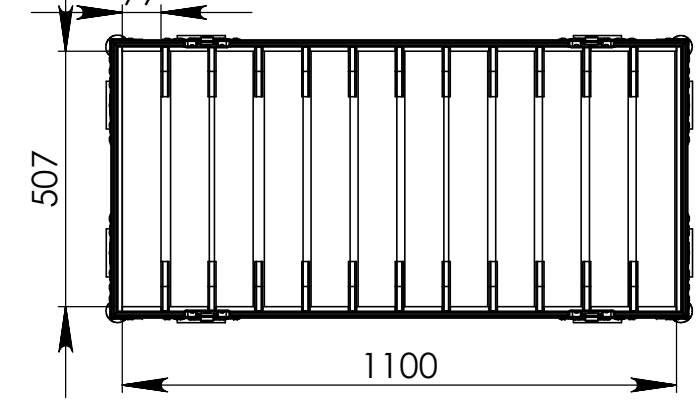
SECTION A-A



SECTION D-D



Hardware		
Qty	Ref.	Description
8	410429	Ball Corner large three-leg cranked 35 mm 9 holes
8	40403	Large corner bracket f. 35mm case angle
2	RODA.100T	Swivel castor Ø100mm with brake
2	RODA.100	Swivel castor Ø100 mm
1	88001D	Dish for 88001 Tour Label
4	38083	Castor dish deep zinc plated
10	34082	Recessed sprung handle medium model
4	172531	Large butterfly V3 with 'push-back' function



This drawing must not be copied or disclosed without consent of the owner

Drawn by	Name	Date
projects		05-03-2015
Reference	LED.305R	
Scale	units in mm	general tolerance
1:15	DO NOT SCALE	0.8mm
FC. 12X LED DISPLAY 1172X500X72MM, RODAS		

