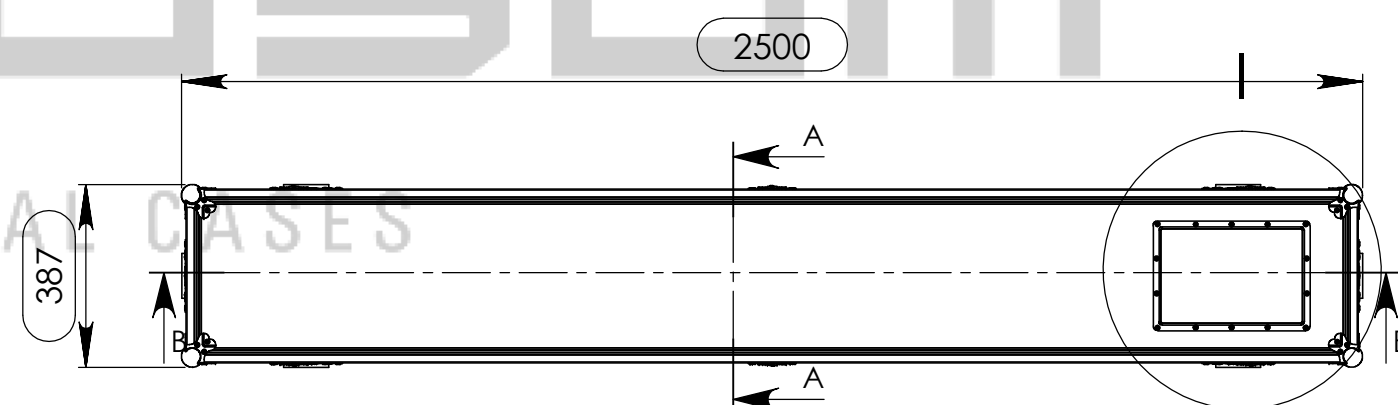
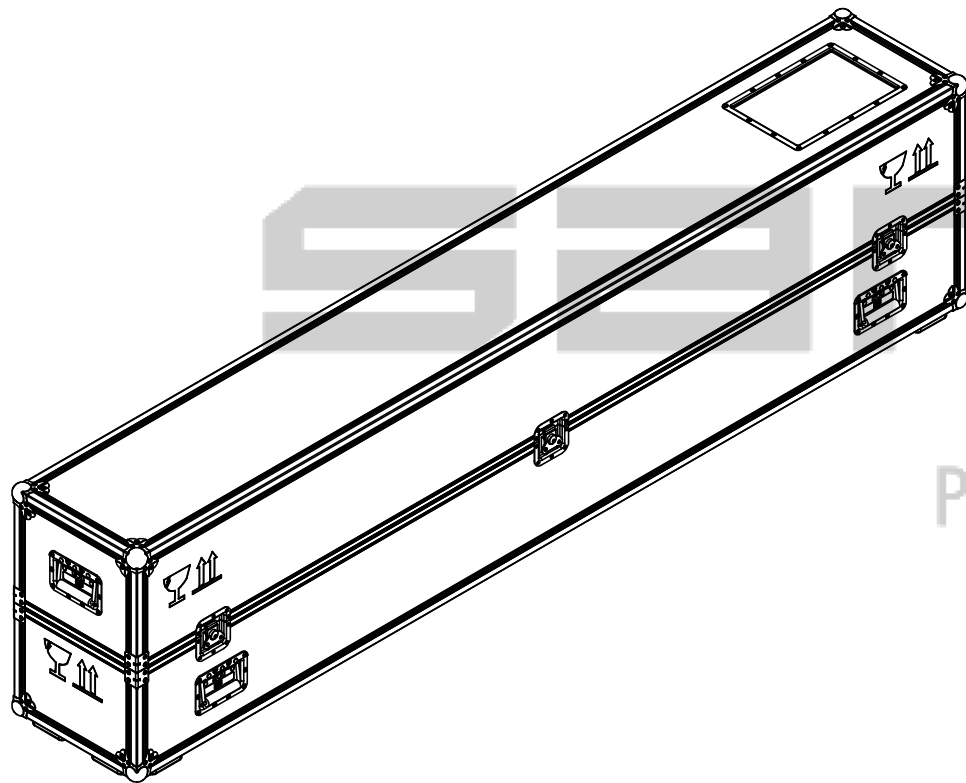
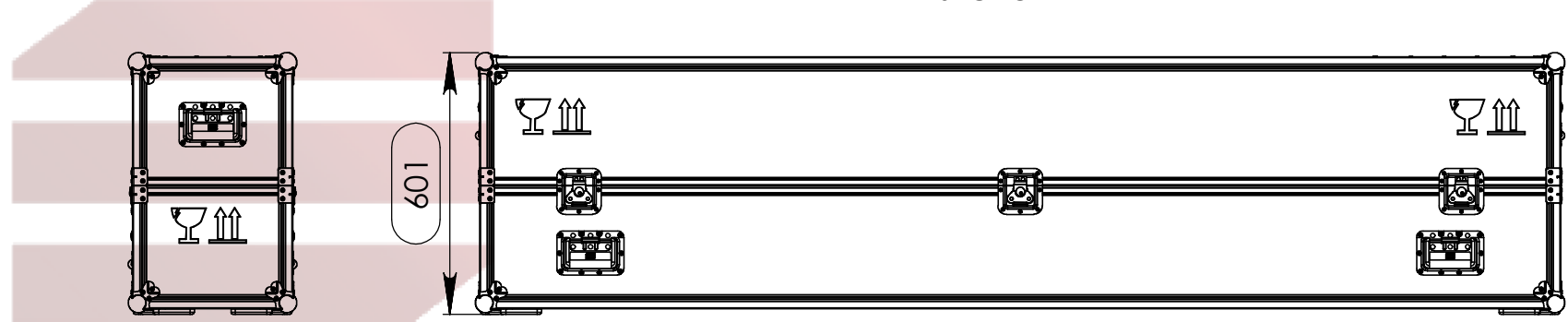
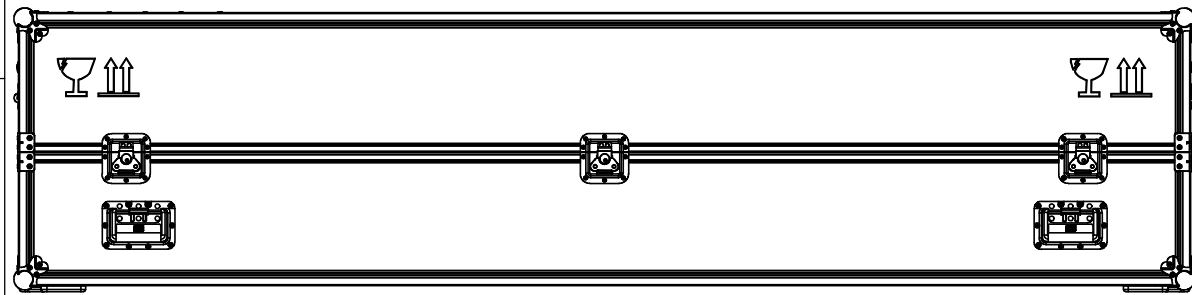
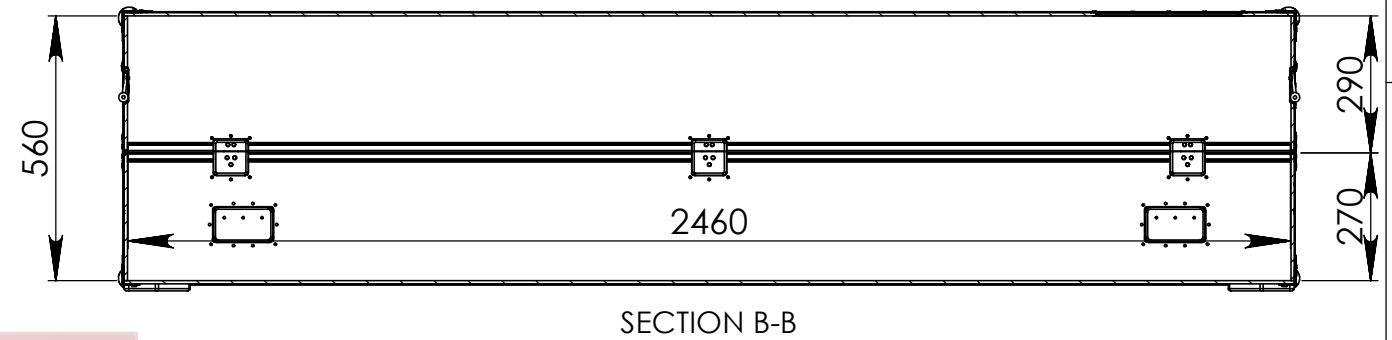
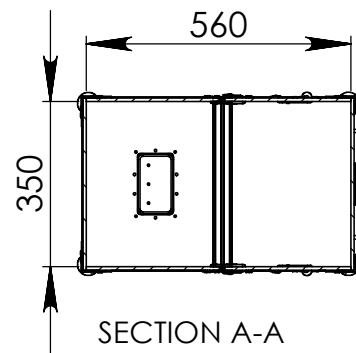


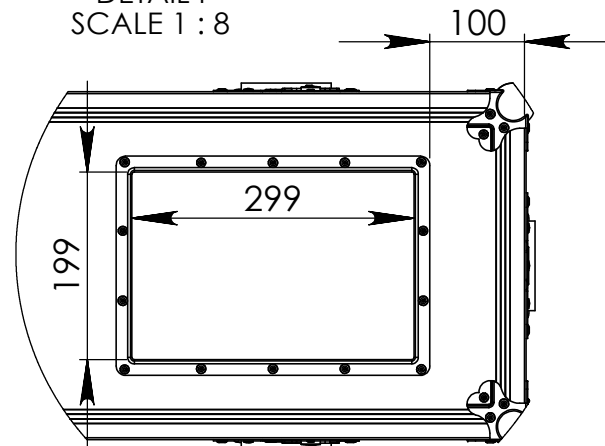
### Interior dimensions

Width	Depth	Height
2460	350	560
Weight	Approx. 18 Kg	
Wall Thickness	7mm	

REVISIONS				
ZONE	REV.	DESCRIPTION	DATE	APPROVED
	0	Final Drawing	28/07/2016	Carlos Rodrigues



DETAIL I  
SCALE 1 : 8



Qty	Hardware Description
6	Key lockable medium Butterfly special
6	Recessed sprung handle medium model
8	Ball Corner large three-leg cranked 35 mm 9 holes
8	Large corner bracket f. 35mm case angle
1	Dish for 88005 Tour Label

This drawing must not be copied or disclosed without consent of the owner

Scale	1:16	units in mm	DO NOT SCALE	general tolerance	0.8mm
Reference	L-CASE. 2500X380X590MM				

  
**santosom**  
 \*PROFESSIONAL CASES\*