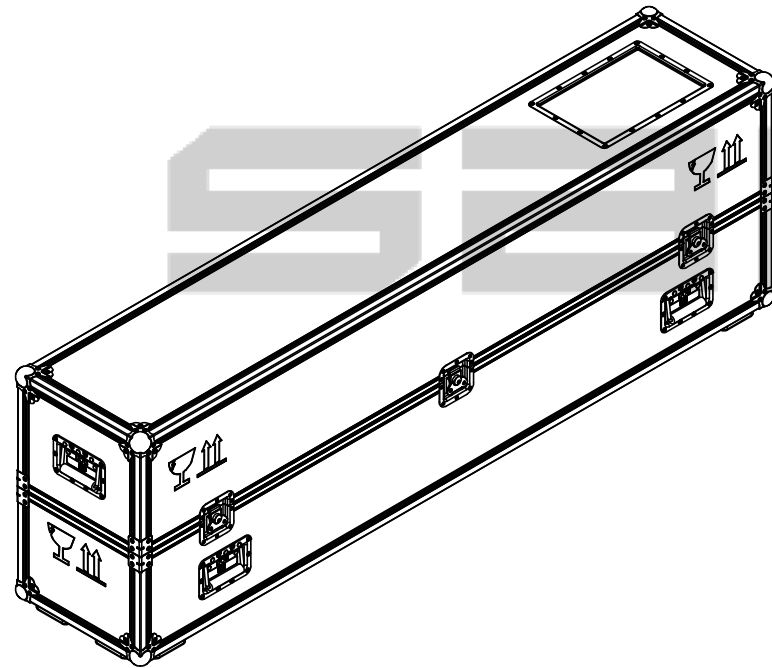
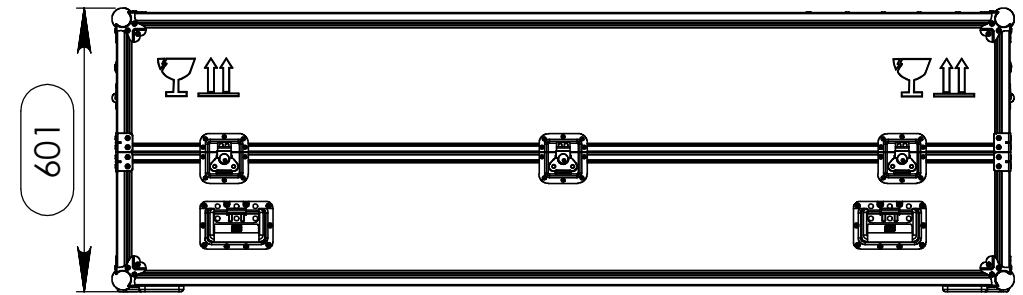
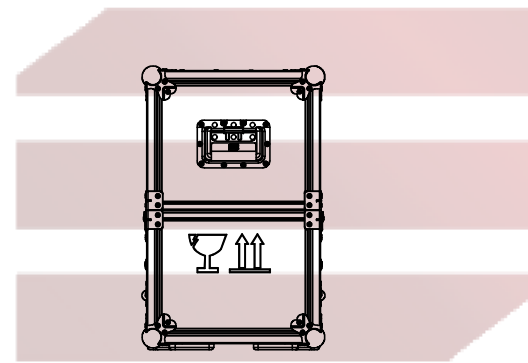
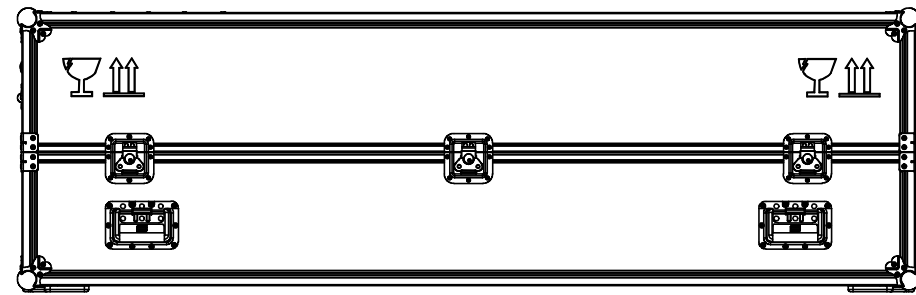
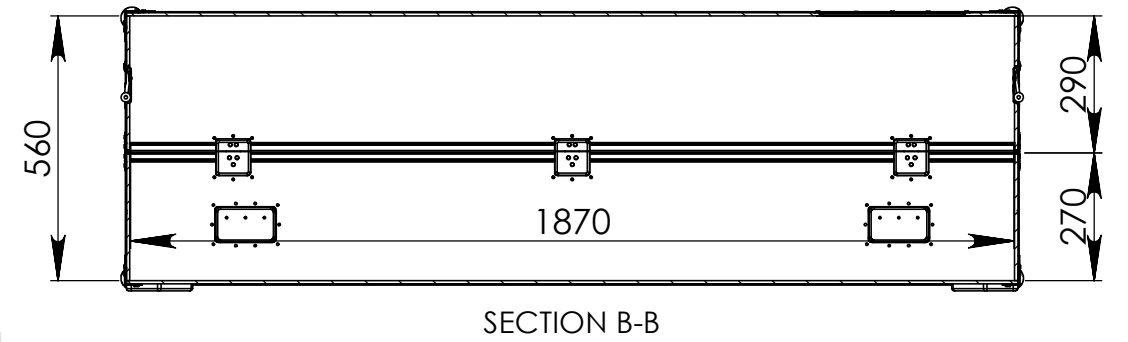
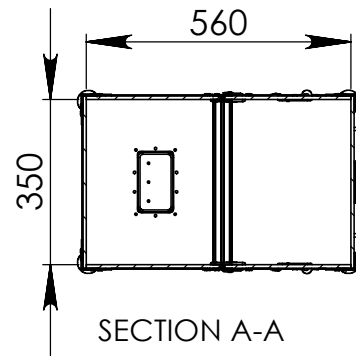


### Interior dimensions

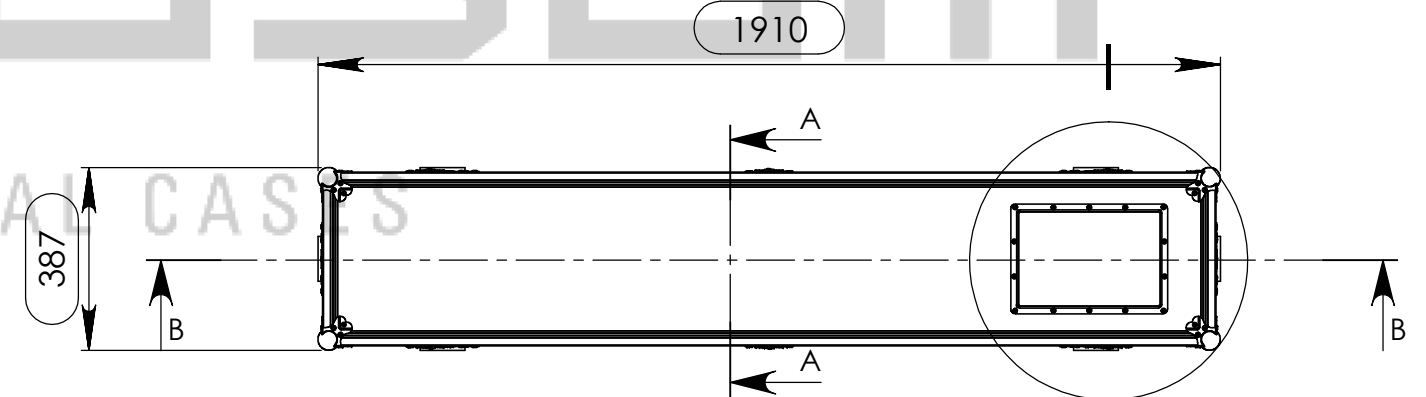
Width	Depth	Height
1870	350	560
Weight	Approx. 16 Kg	
Wall Thickness	7mm	

### REVISIONS

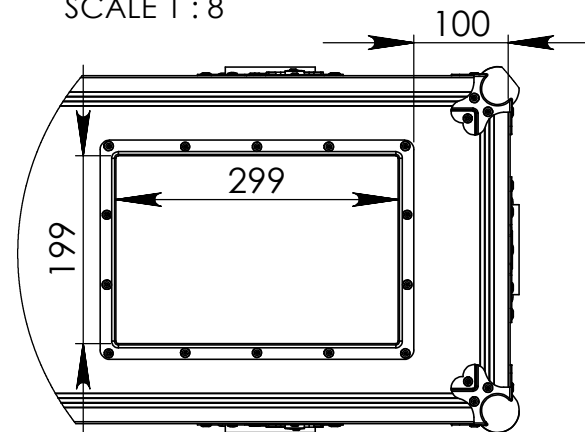
ZONE	REV.	DESCRIPTION	DATE	APPROVED
	0	Final Drawing	28/07/2016	Carlos Rodrigues



SANTOSOM  
 PROFESSIONAL CASES



DETAIL I  
SCALE 1 : 8



Hardware	
Qty	Description
6	Key lockable medium Butterfly special
6	Recessed sprung handle medium model
8	Ball Corner large three-leg cranked 35 mm 9 holes
8	Large corner bracket f. 35mm case angle
1	Dish for 88005 Tour Label

A3

This drawing must not be copied or disclosed without consent of the owner



Scale	units in mm	general tolerance
1:16	DO NOT SCALE	0.8mm
L-CASE. 2500X380X590MM		

Name	Date
projects	28/07/2016
Reference	LCPS.2500

