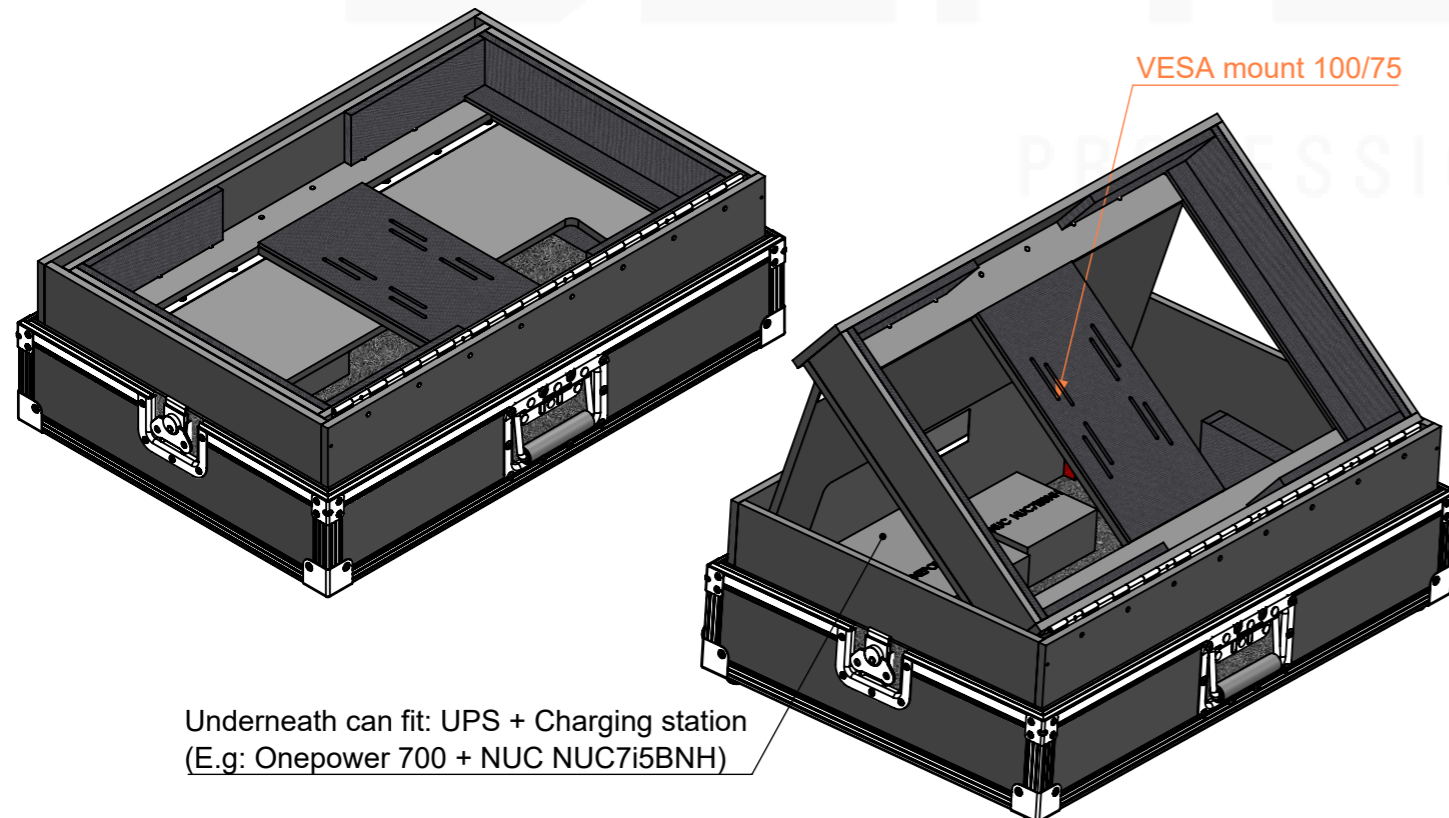
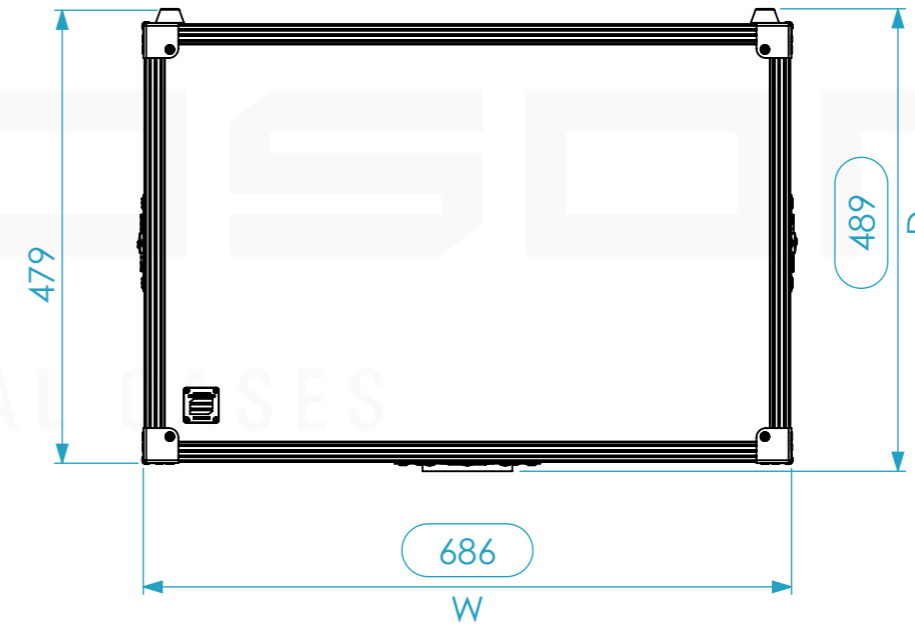
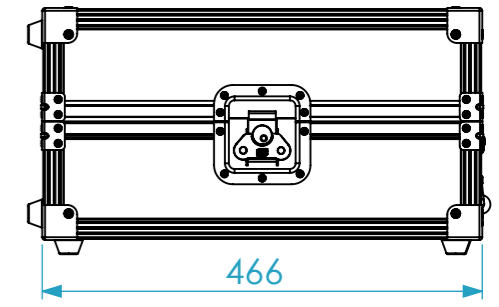
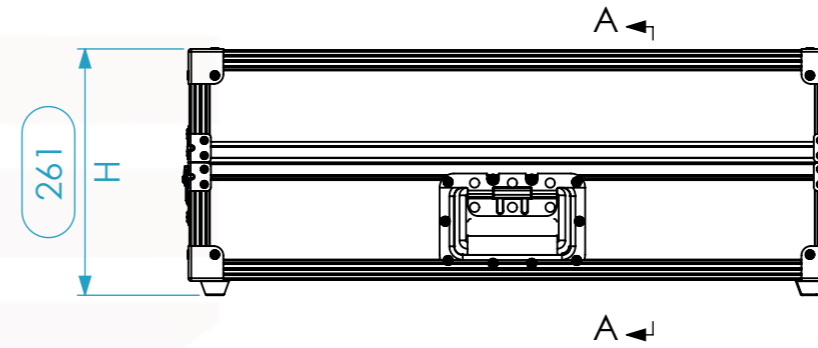
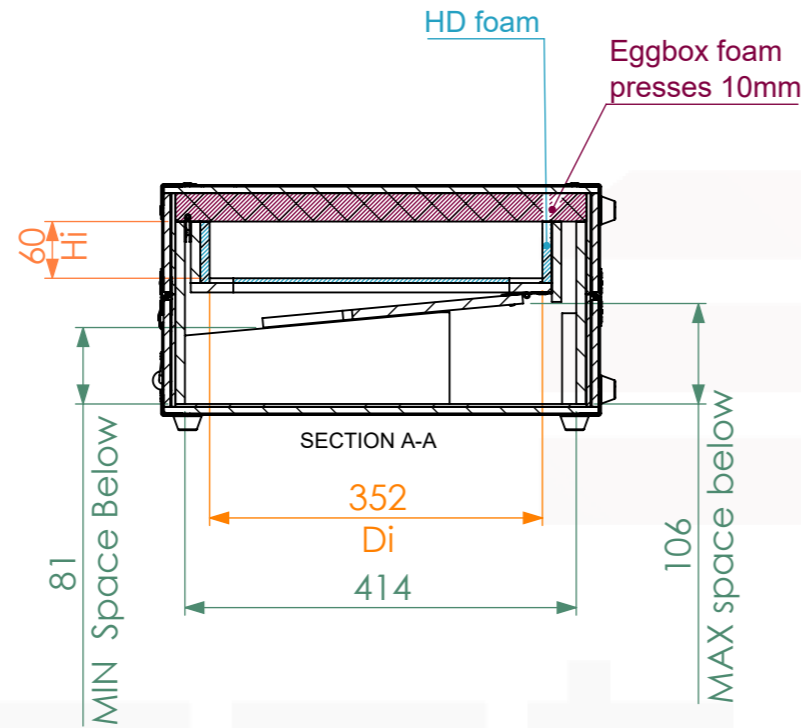
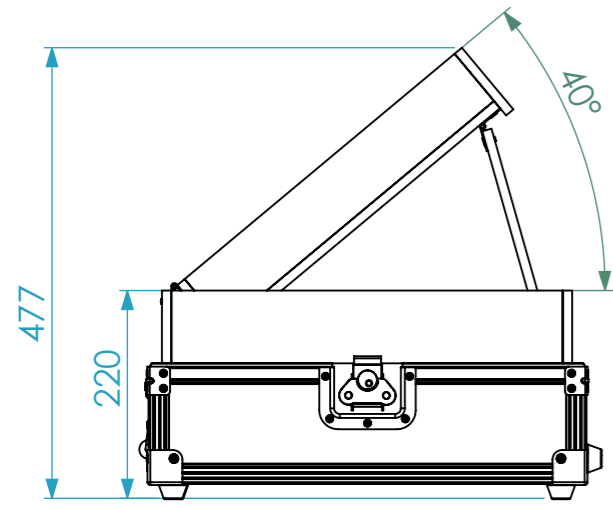


Internal Dimensions		
Width	Depth	Height
663	443	226
Weight	Approx. 15 Kg	
Wall Thickness		7mm

Monitor - MAX Dimensions(lined with 10mm foam)		
Width	Height	Depth
590	350	60



Underneath can fit: UPS + Charging station
(E.g: Onepower 700 + NUC NUC7i5BNH)

General External Dimensions	
W	Width
D	Depth
H	Height
Usable Inner Dimensions	
Wi	Inside Width
Di	Inside Depth
Hi	Inside Height
Wood Inner Dimensions	
WWi	Wood Inside Width
WDi	Wood Inside Depth
WHi	Wood Inside Height

Name	CatarinaDuque	Date	07-11-2018
Reference	LCDP.2400A		
Scale	1:8	units in mm	general tolerance 0.8mm
DO NOT SCALE			
Case for monitor 24" adjustable dimensions			



This drawing must not be copied or disclosed without consent of the owner



A3