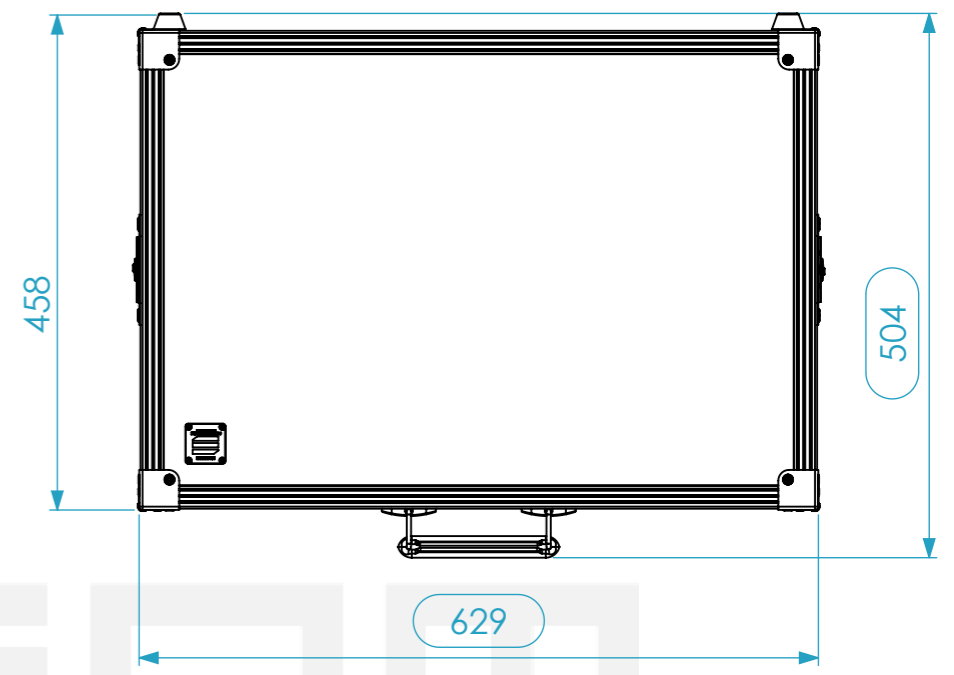
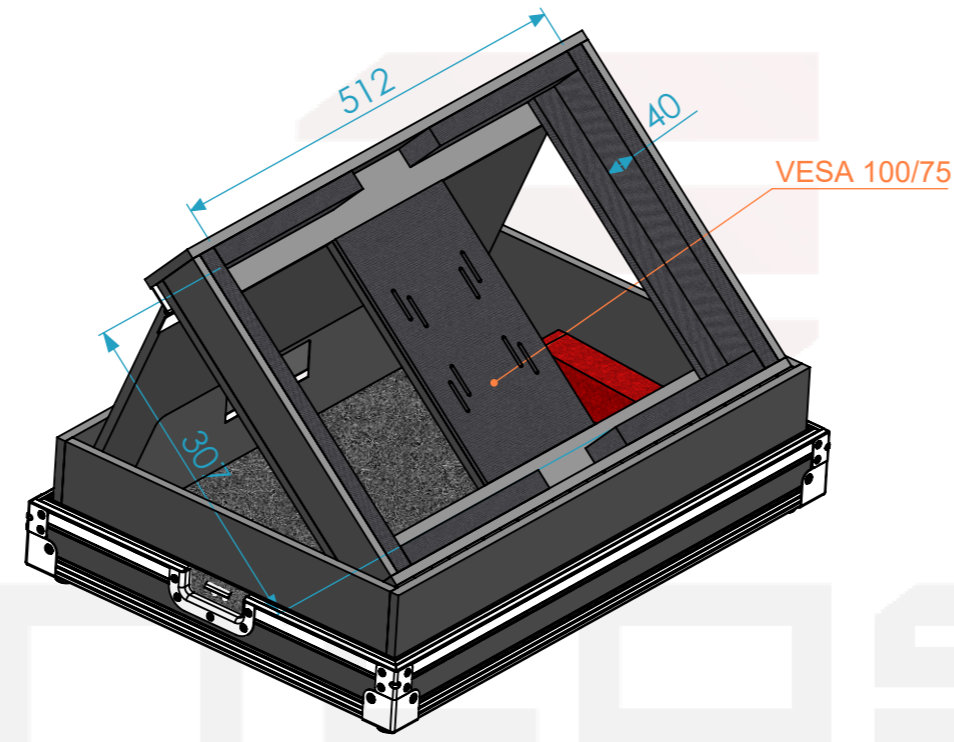
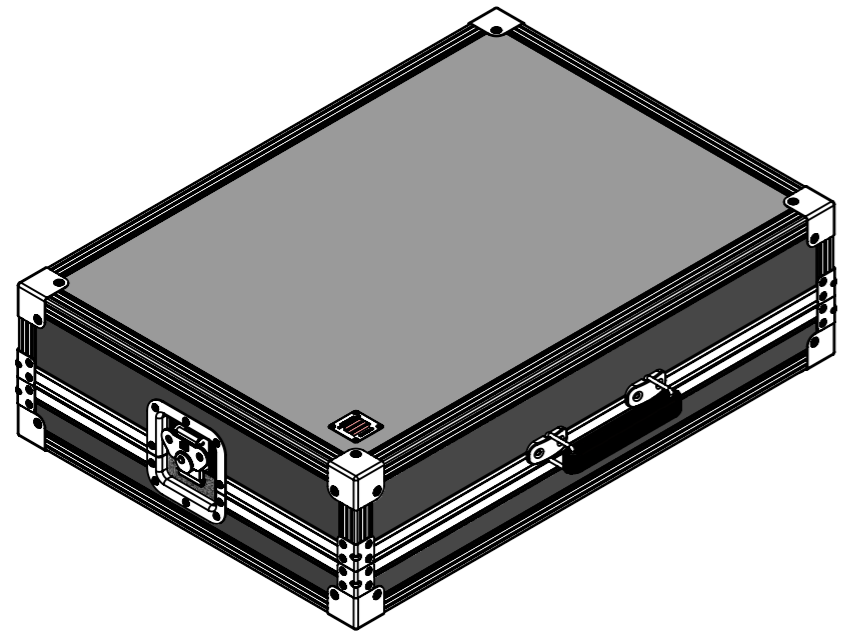
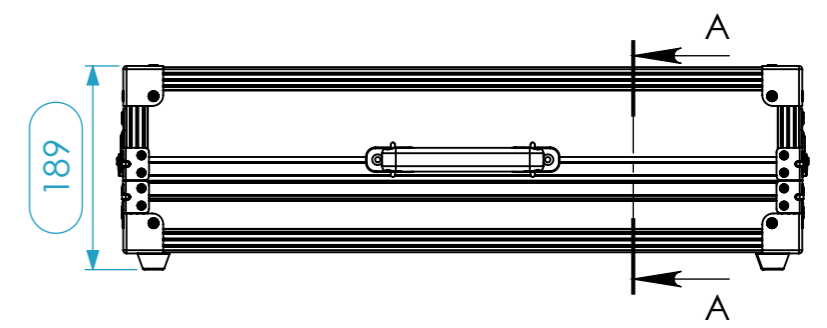
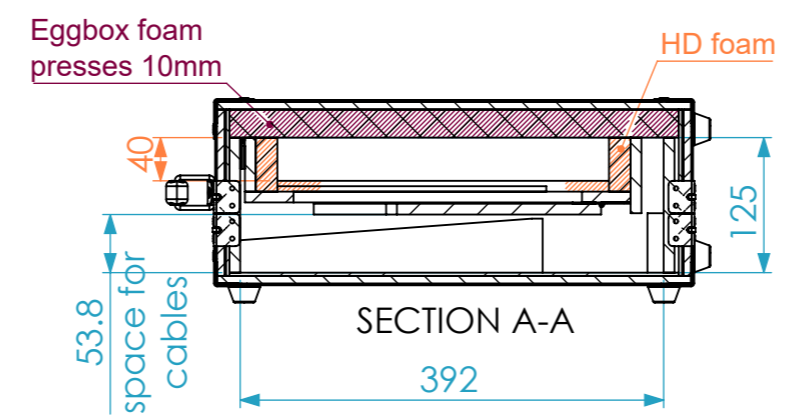
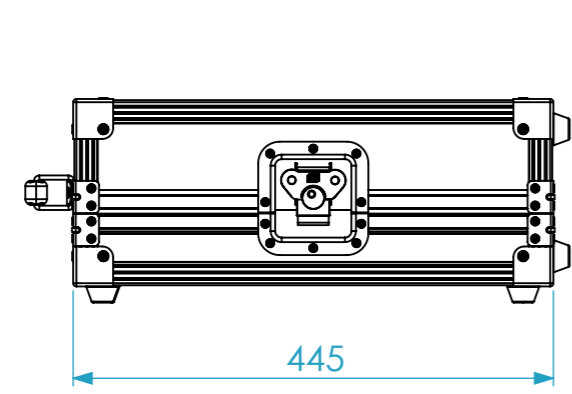


Interior dimensions		
Width	Depth	Height
600	416	125
Weight	Approx. 11 Kg	
Wall Thickness	7mm	

REVISIONS				
ZONE	REV.	DESCRIPTION	DATE	APPROVED
-	1	Created space below monitor; reduced wood parts	21/11/2017	CatarinaDuque
-	2	Substituted plastic handle for leather handle; changed VESA mount holes	08/10/2018	CatarinaDuque



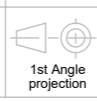
SANTOSOM
PROFESSIONAL CASES



Drawn by	Name	Date
CatarinaDuque	CatarinaDuque	08-10-2018
Reference	LCDP.2200	
Scale	units in mm	general tolerance
1:7	DO NOT SCALE	0.8mm
Case for monitor - adjustable dimensions		



This drawing must not be copied or disclosed without consent of the owner



A3