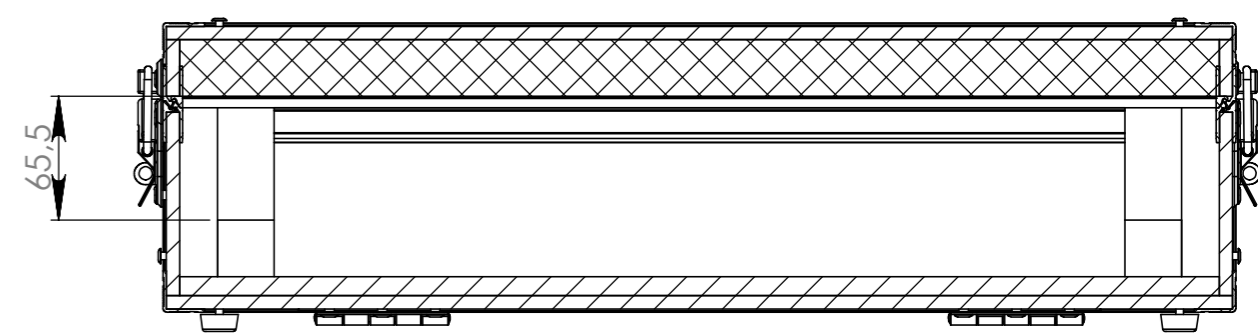
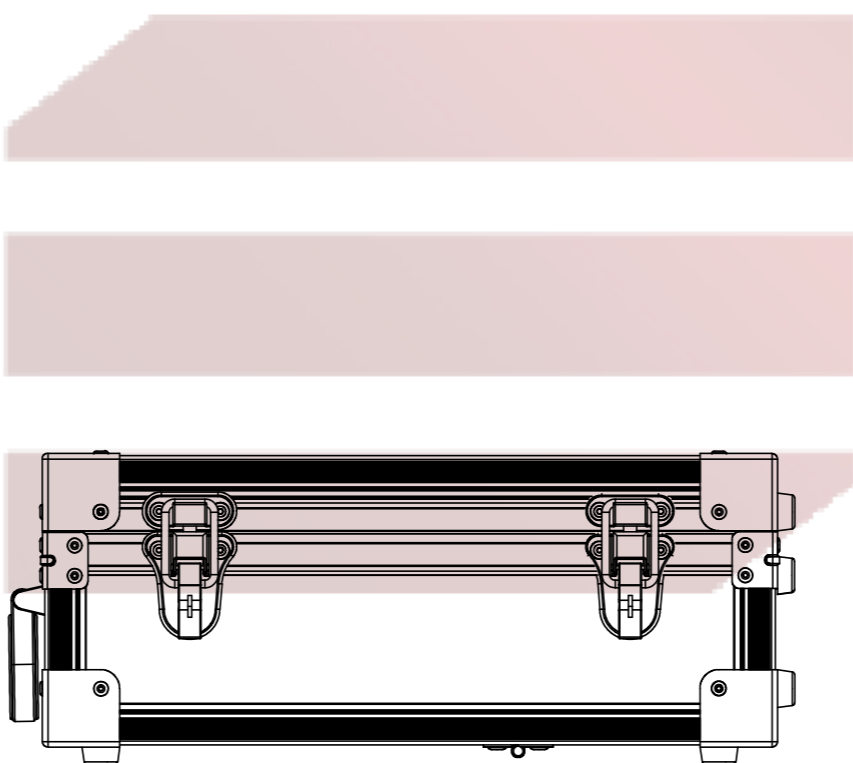
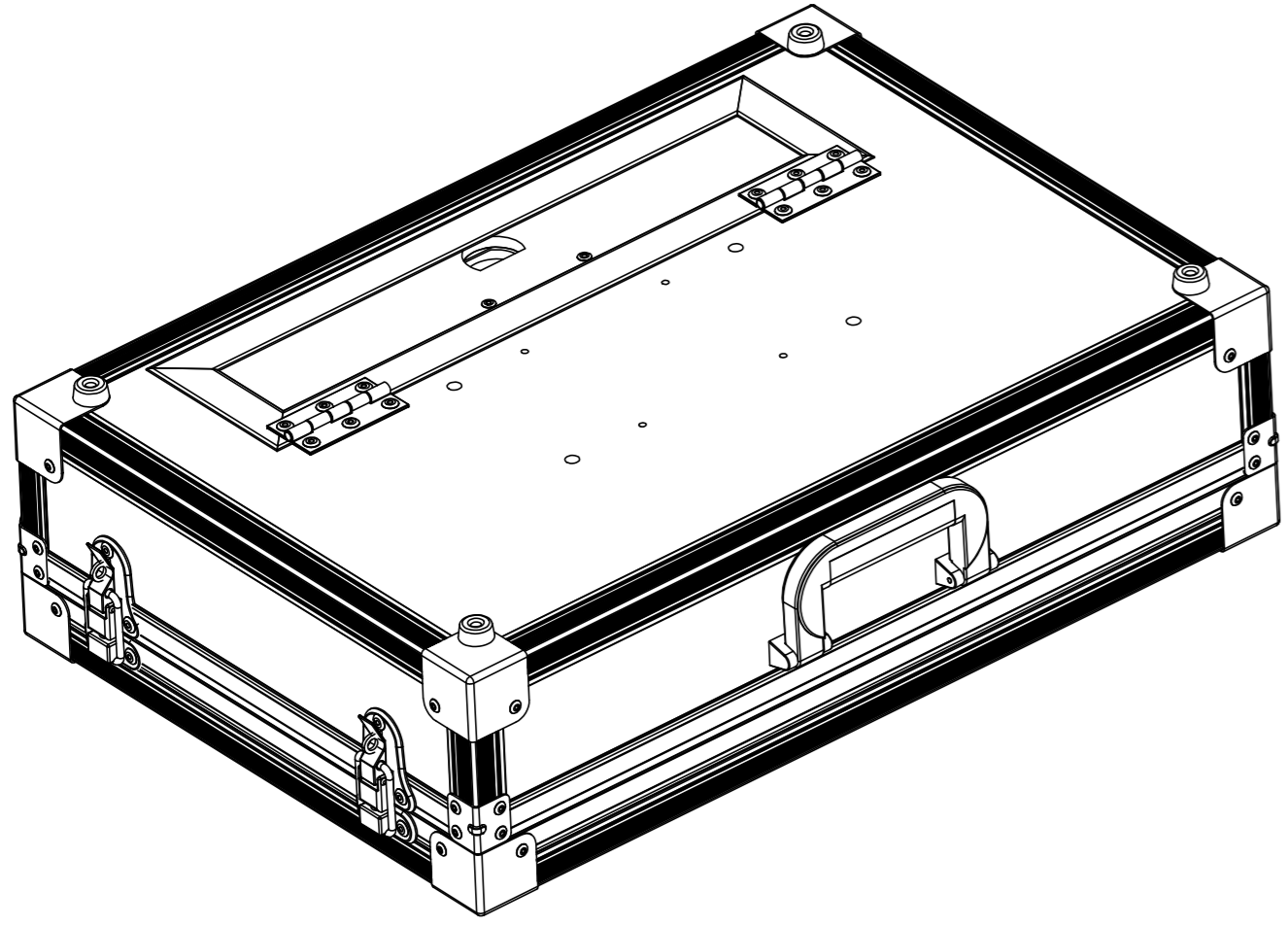
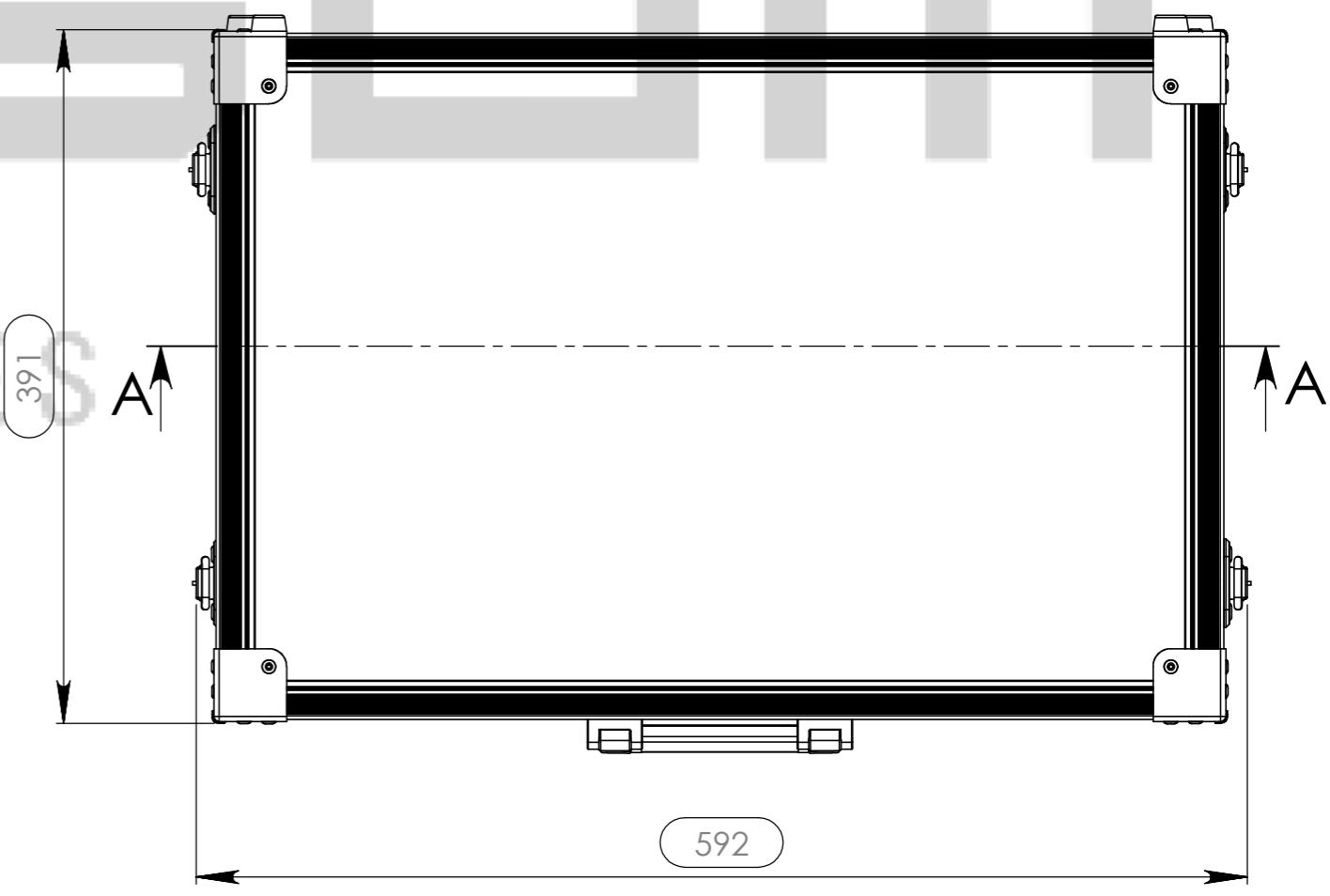
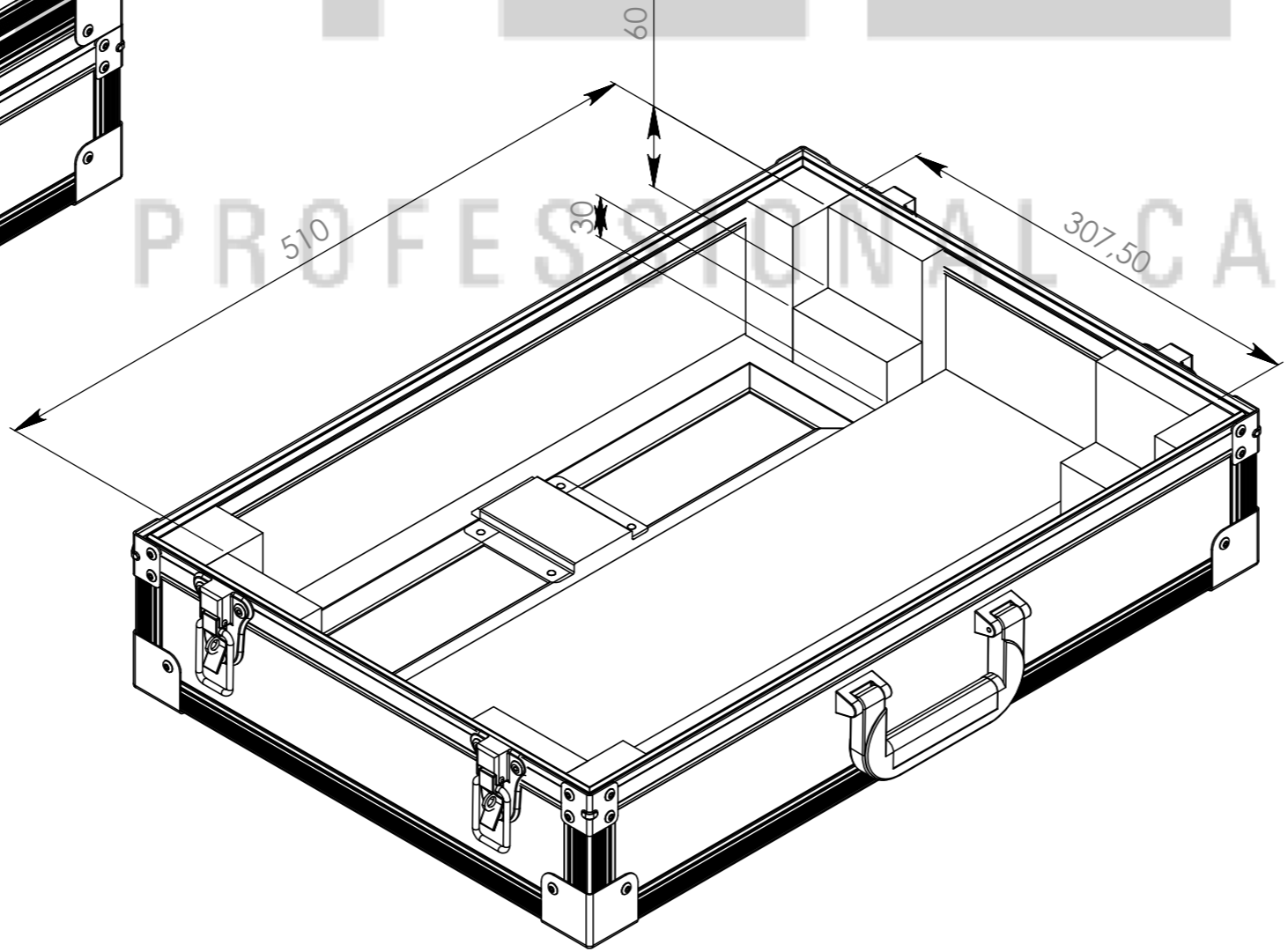
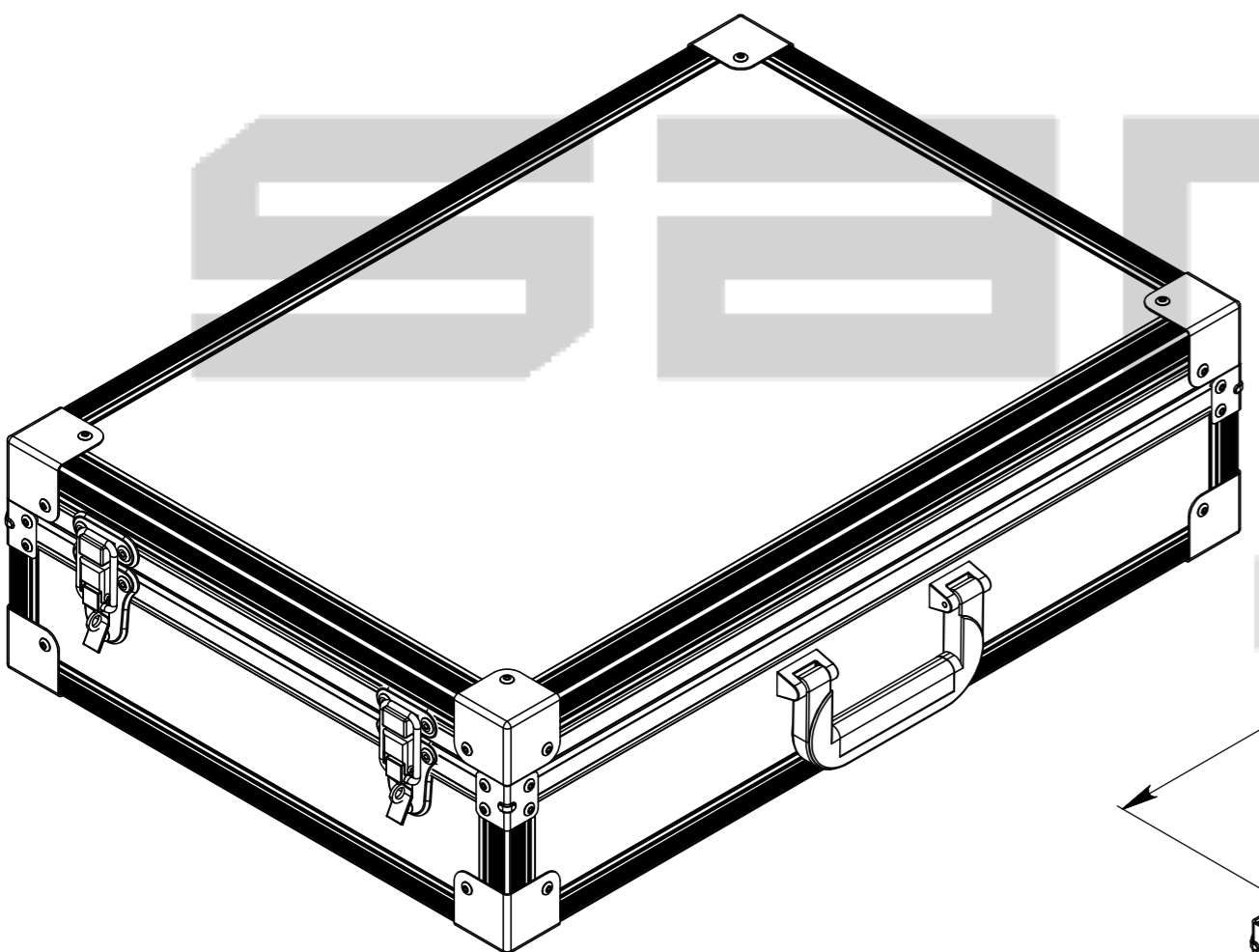
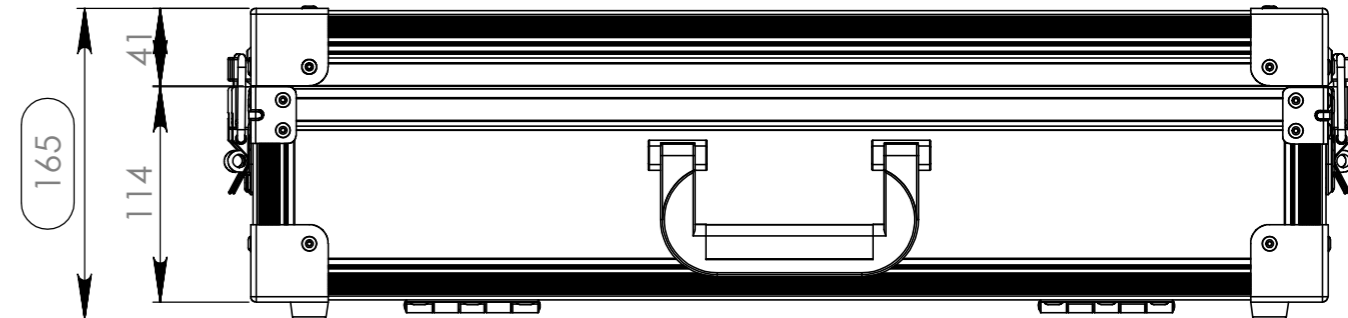


Interior dimensions		
Width	Depth	Height
510	307,50	65,5
Weight	Approx. 6 Kg	
Wall Thickness		7mm

REVISIONS				
ZONE	REV.	DESCRIPTION	DATE	APPROVED
-	0	Final Drawing	25/03/2013	Daniel Lopes
-	1	Increased 40mm in height	28/03/2013	Daniel Lopes



SECTION A-A



Hardware	
Qty	Description
4	Medium corner-brace zinc plated 1,0mm
1	Sliding Latch System - Sliding Latch
2	Medium duty butt hinge z./p.
1	Chrome plated plastic with soft black plastic insert
4	Large padlocking drawbolt

Drawn by	Daniel Lopes	Name	Daniel Lopes	Date	28-03-2013
Reference	LCDP.2002	Scale	1:4	FC, MONITOR LCD 21.5", WS15XD182MMH310MM	general tolerance ±0.8mm

This drawing must not be copied or disclosed without consent of the owner