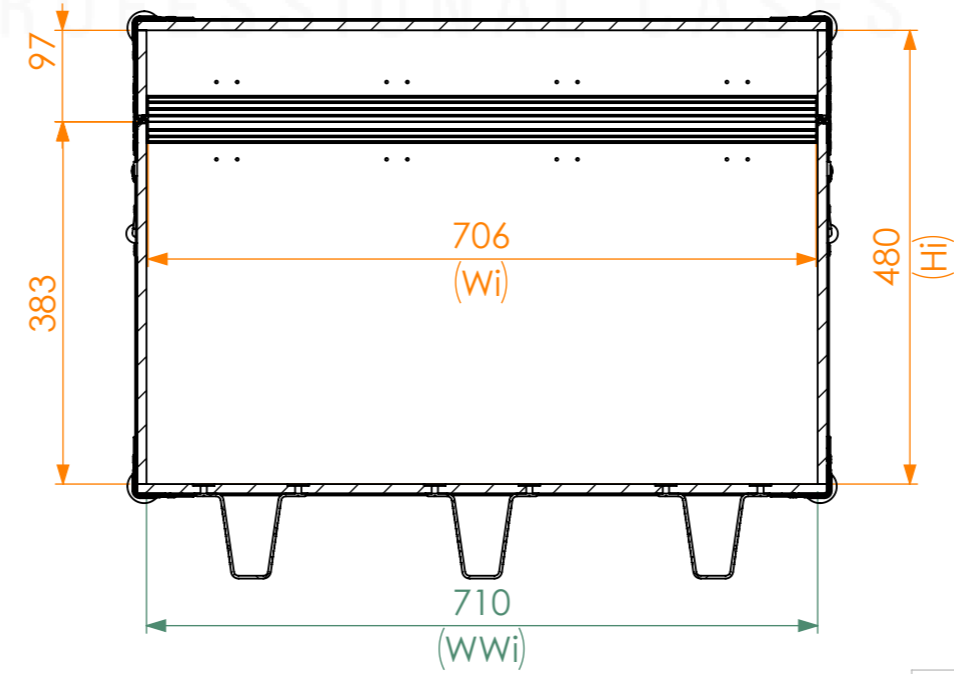
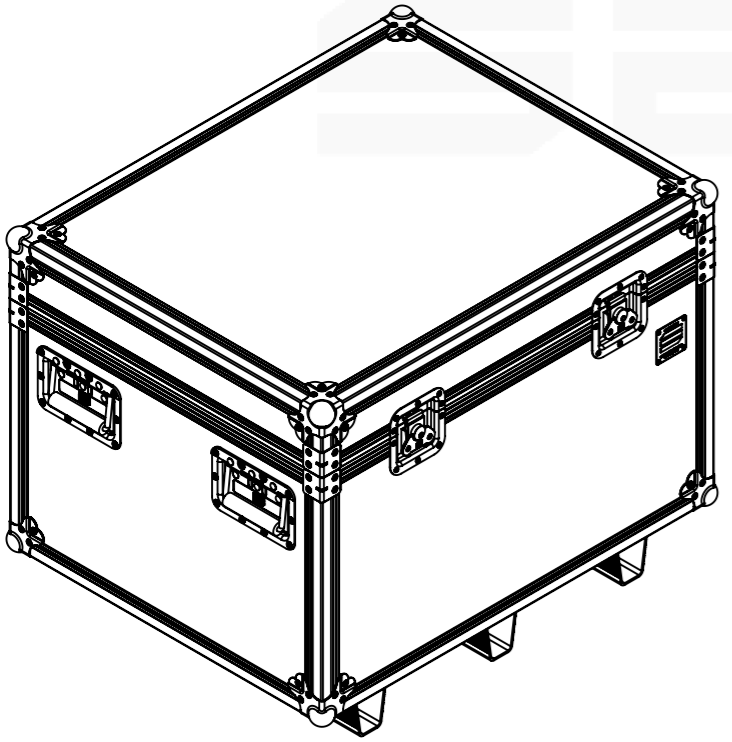
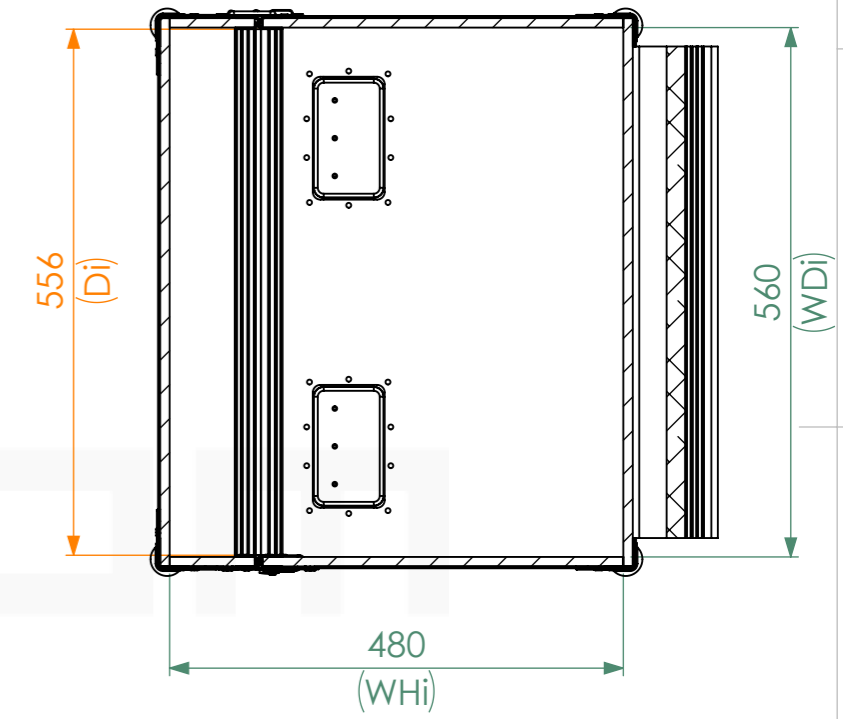
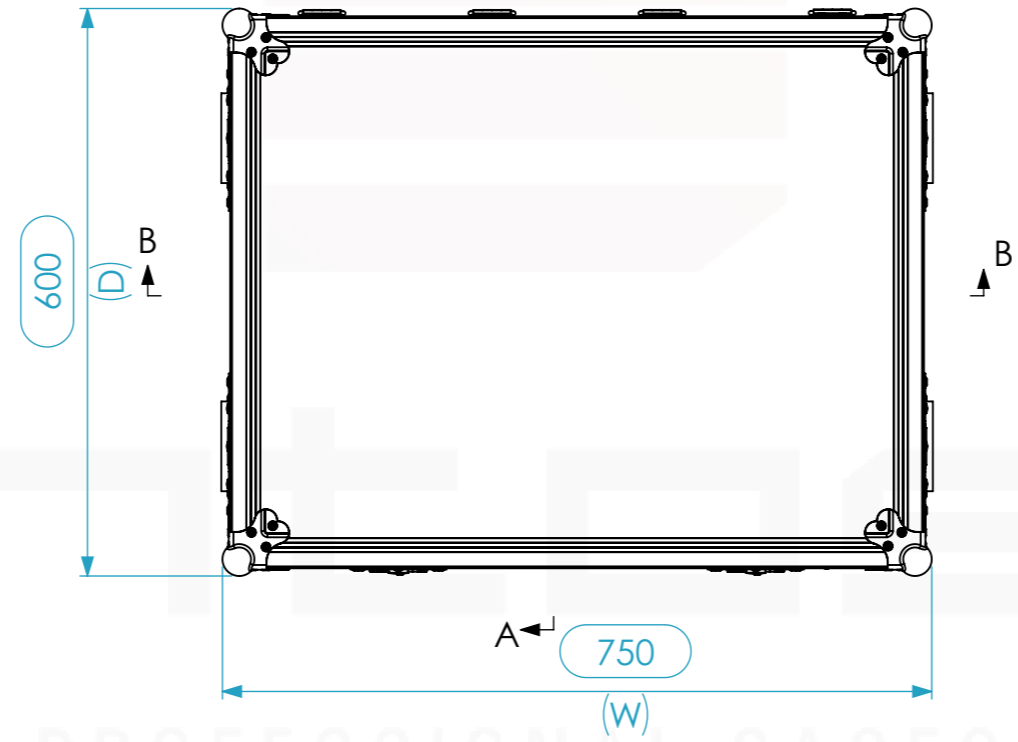
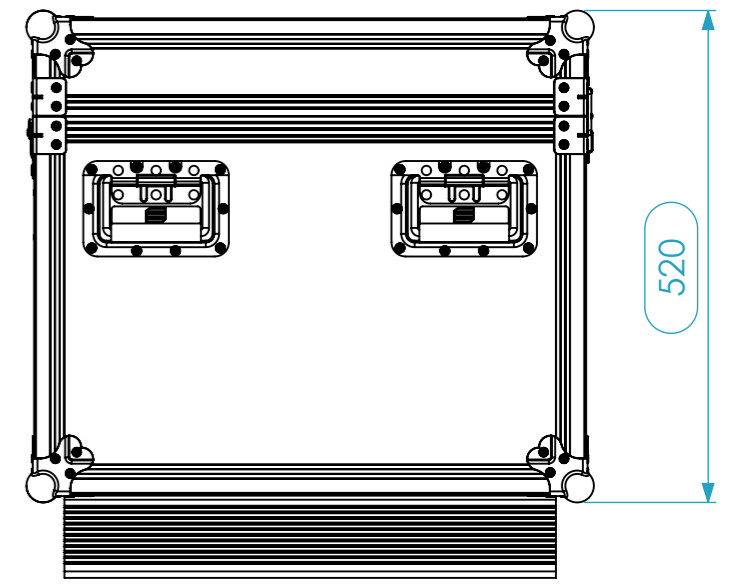
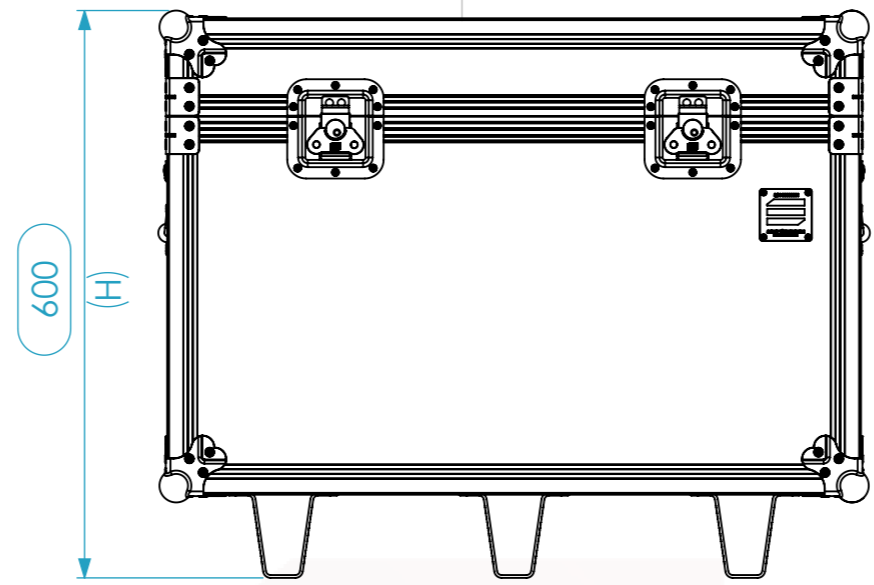


Internal Dimensions		
Width	Depth	Height
706	556	476
Weight	Approx. 23 Kg	
Wall Thickness		10mm



SECTION A-A

SECTION B-B

General External Dimensions		Usable Inner Dimensions (UID)		Wood Inner Dimensions (WID)	
W	Width	Wi	Inside Width	WWi	Wood Inside Width
D	Depth	Di	Inside Depth	WDi	Wood Inside Depth
H	Height	Hi	Inside Height	WHi	Wood Inside Height

This drawing must not be copied or disclosed without consent of the owner

Drawn by	Name	Date
CatarinaHenriques	CatarinaHenriques	19/09/2018
Reference	L2AA.0756052	
Scale	units in mm	general tolerance
1:8	DO NOT SCALE	0.8mm
1st Angle projection	FLIGHT CASE L2 075.60.52 (71X56X48 WID)	

