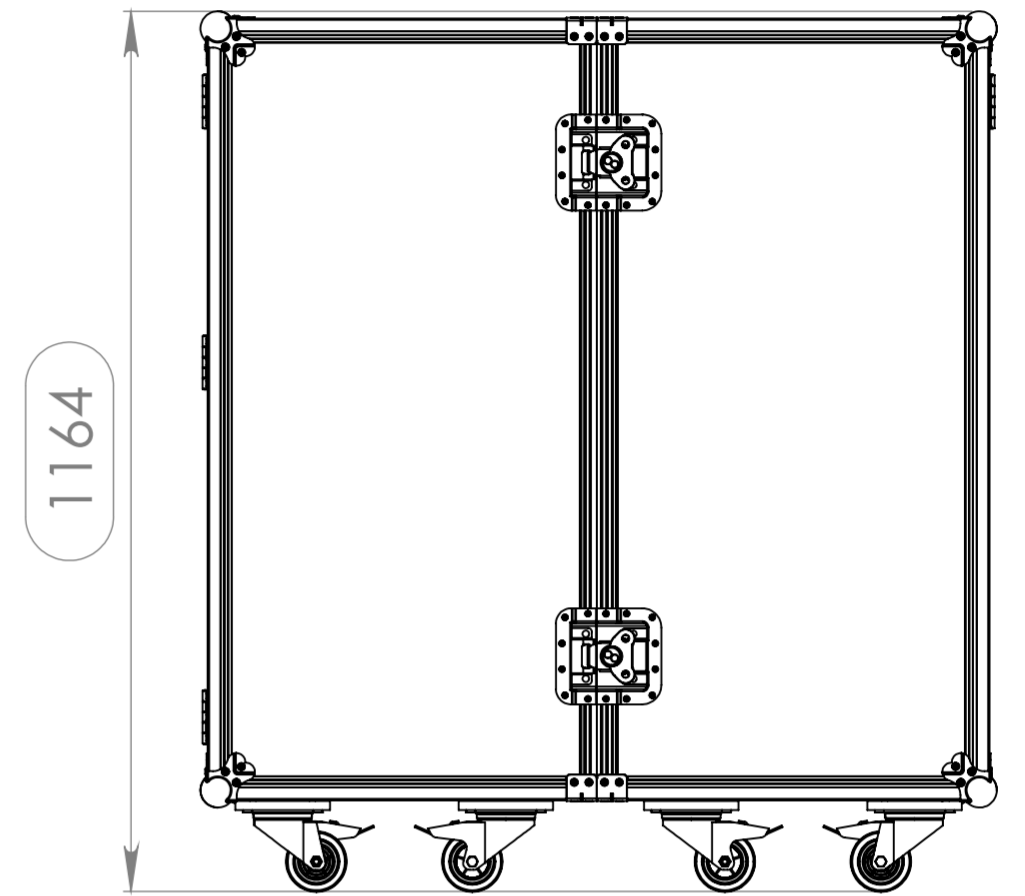
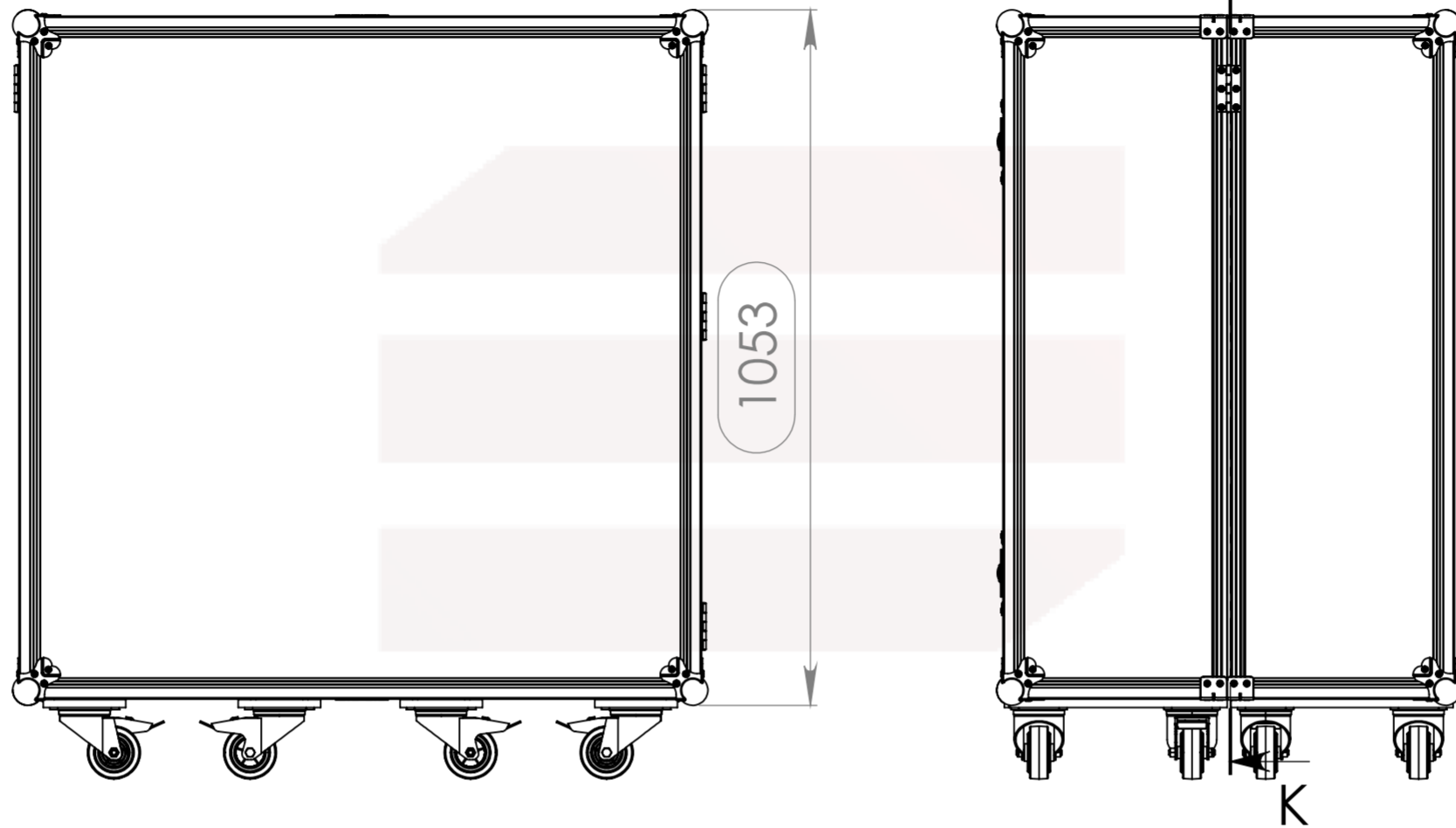
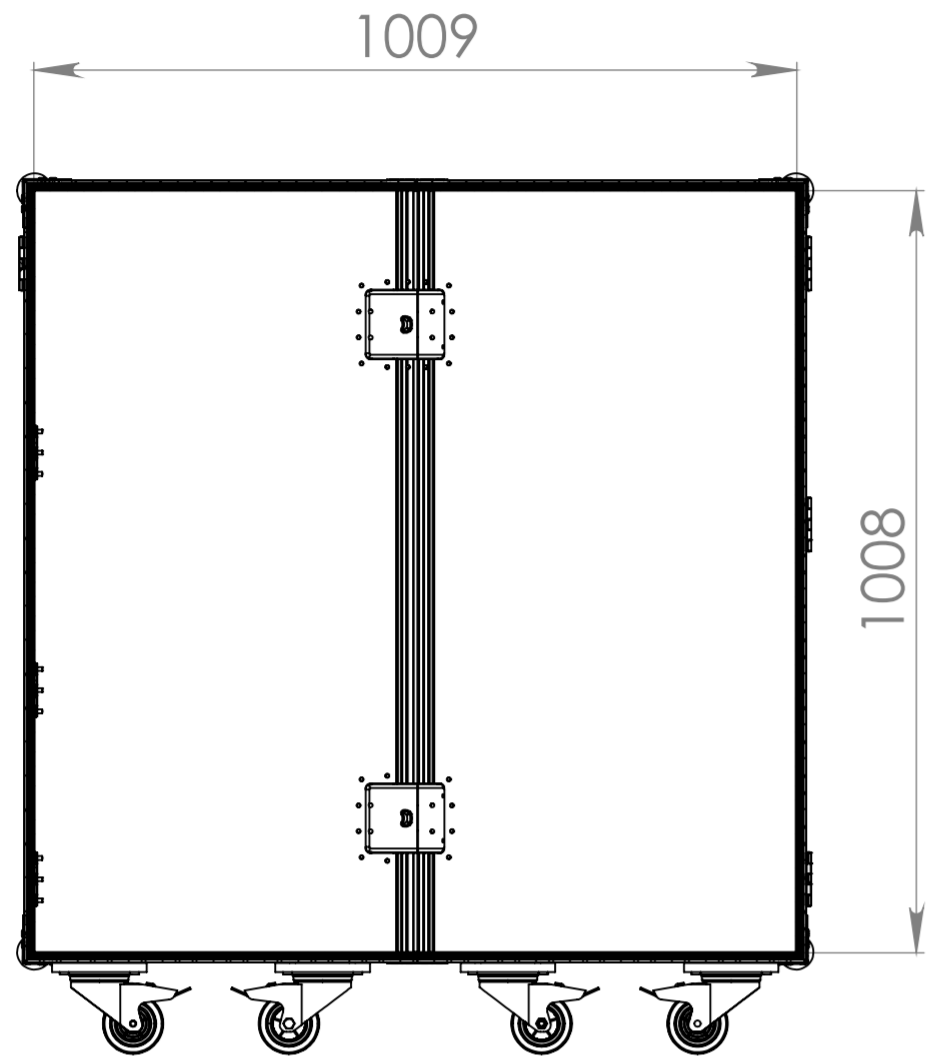
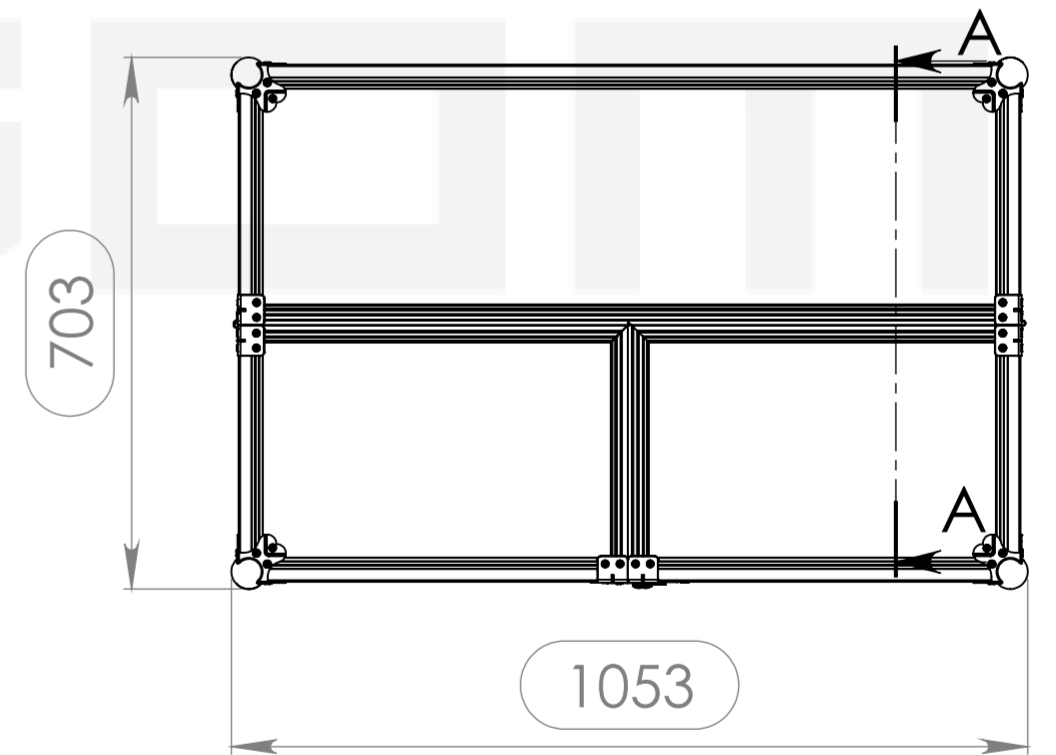
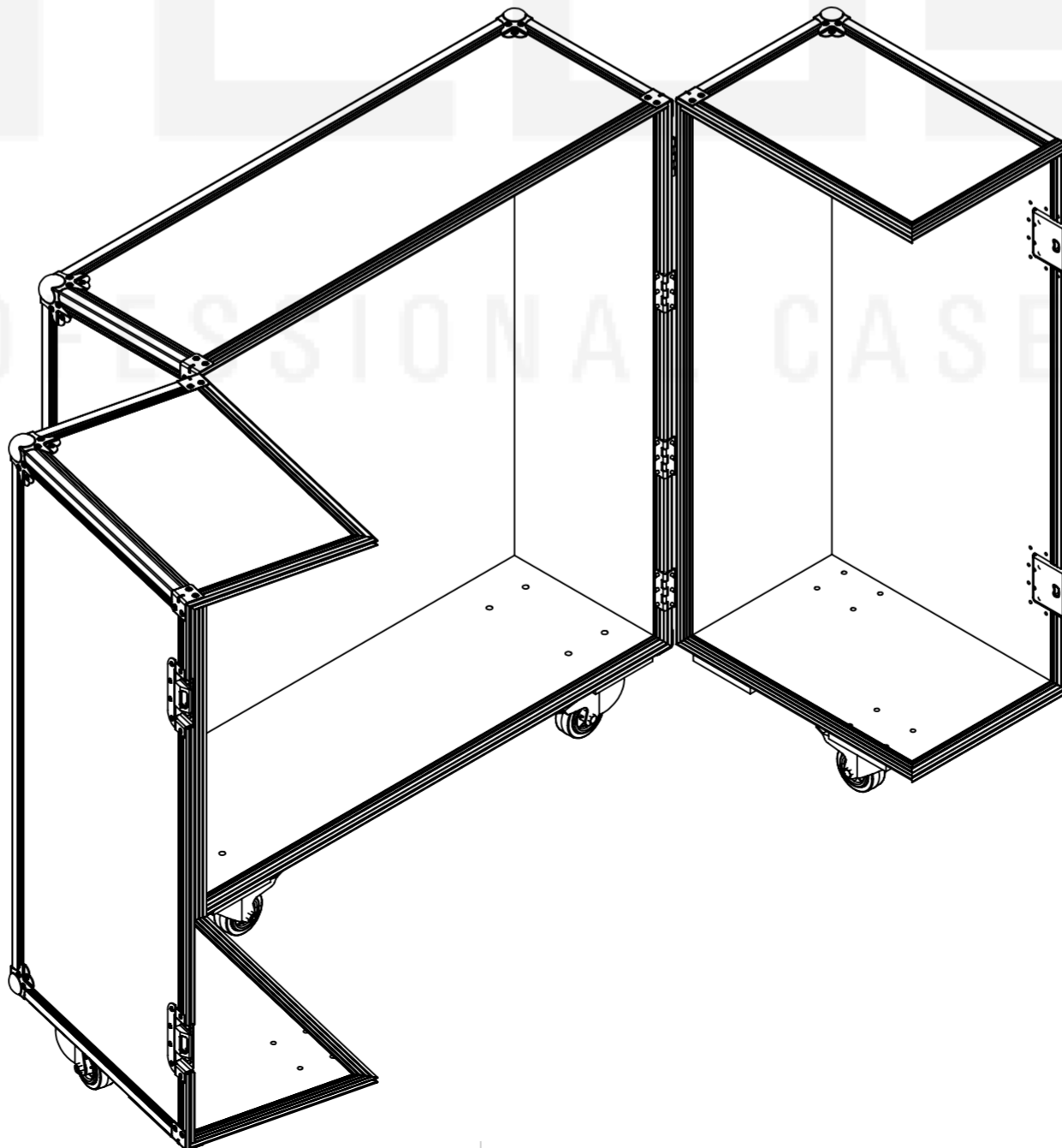
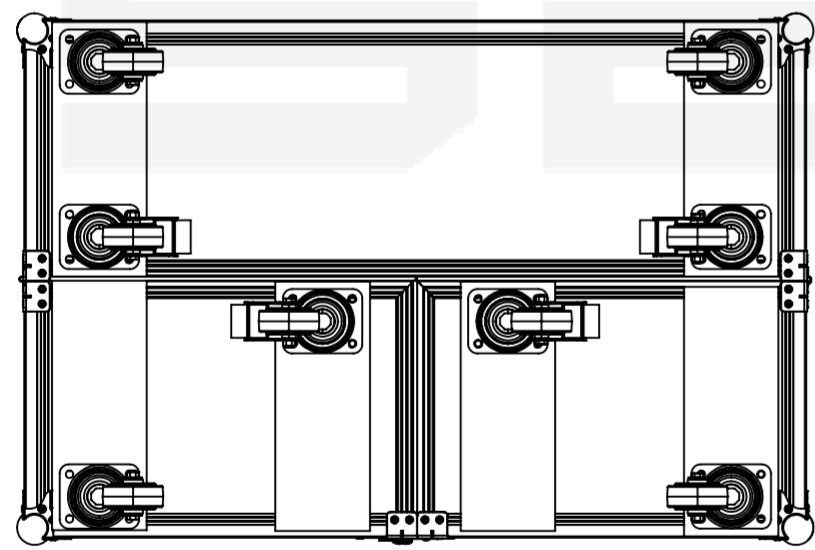


Exterior dimensions

Width	Depth	Height
1053	703	1053
Weight	Approx. 48 Kg	
Wall Thickness	10mm	



SECTION K-K



Hardware		
Qty	Ref.	Description
12	40403	Large corner bracket f. 35mm case angle
7	2602	Medium duty butt hinge z./p.
2	172531	Large butterfly V3 with 'push-back' function
8	410429	Ball Corner large three-leg cranked 35 mm 9 holes
4	RODA.80T	Swivel castor Ø80 mm with brake
4	RODA.80	Swivel castor Ø80 mm without brake

Drawn by	projects	Name	Date
Reference	L1BBR.1057010	15/05/2017	
Scale	1:10	Units in mm	DO NOT SCALE
		general tolerance	0.8mm
		FC L1BB	1010X656X1010

This drawing must not be copied or disclosed without consent of the owner

santosom
PROFESSIONAL CASES