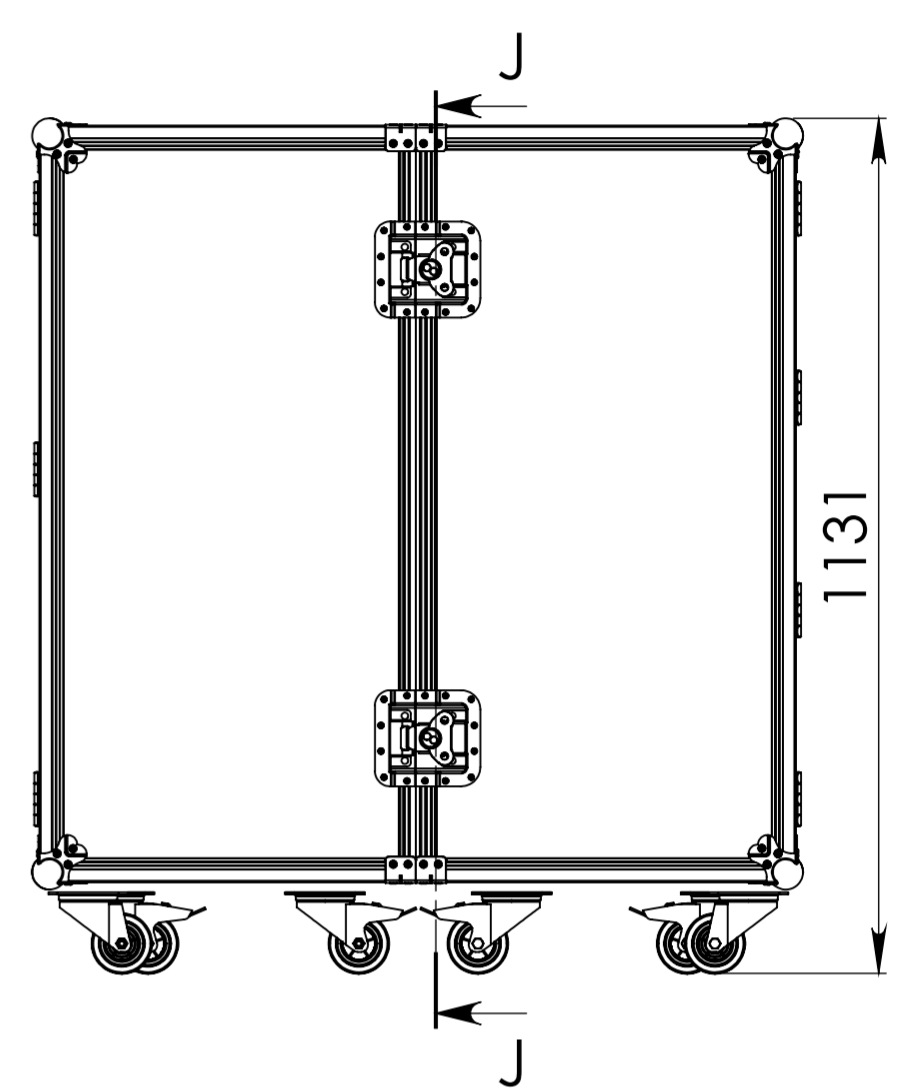
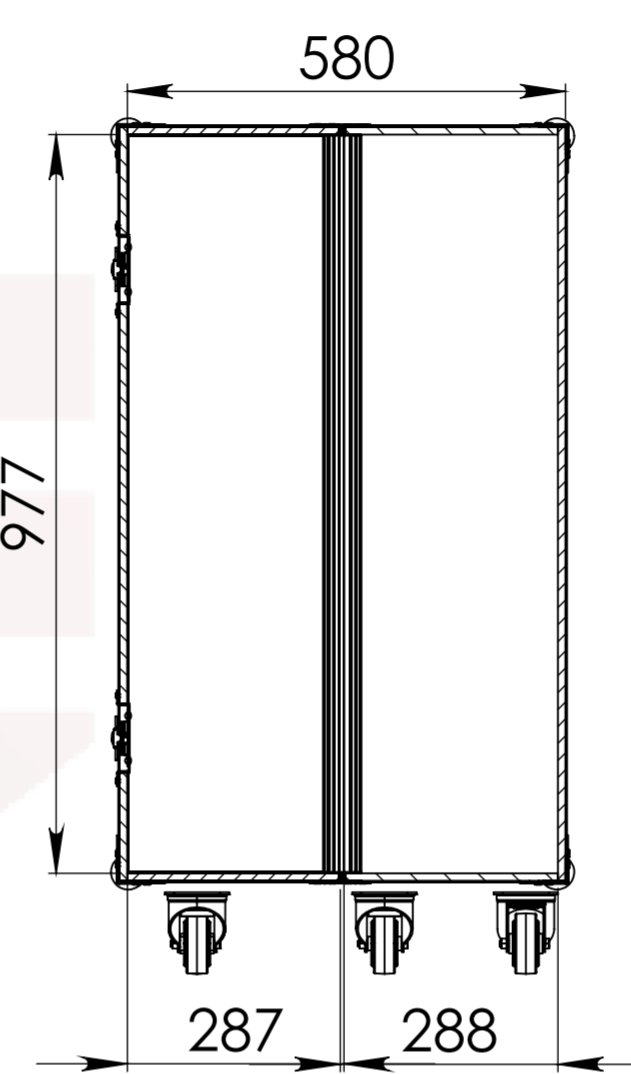
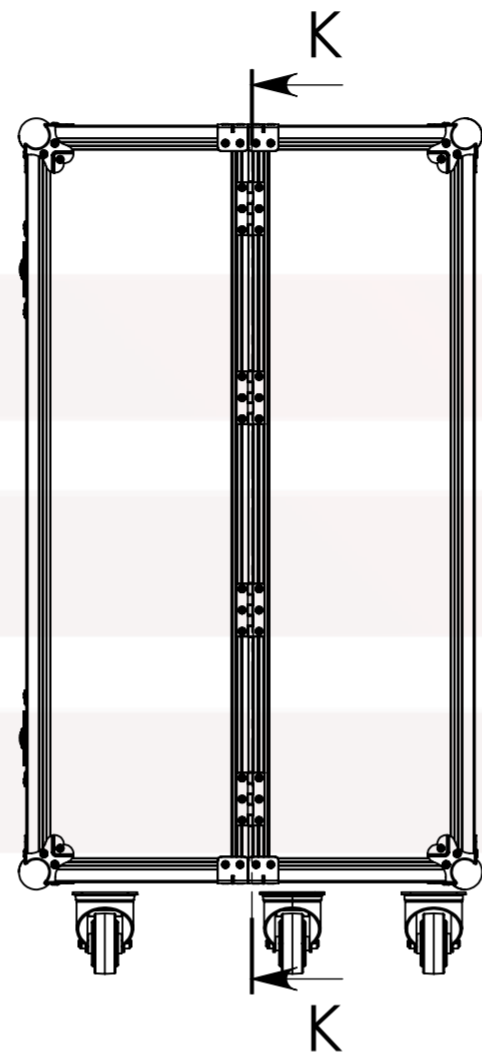
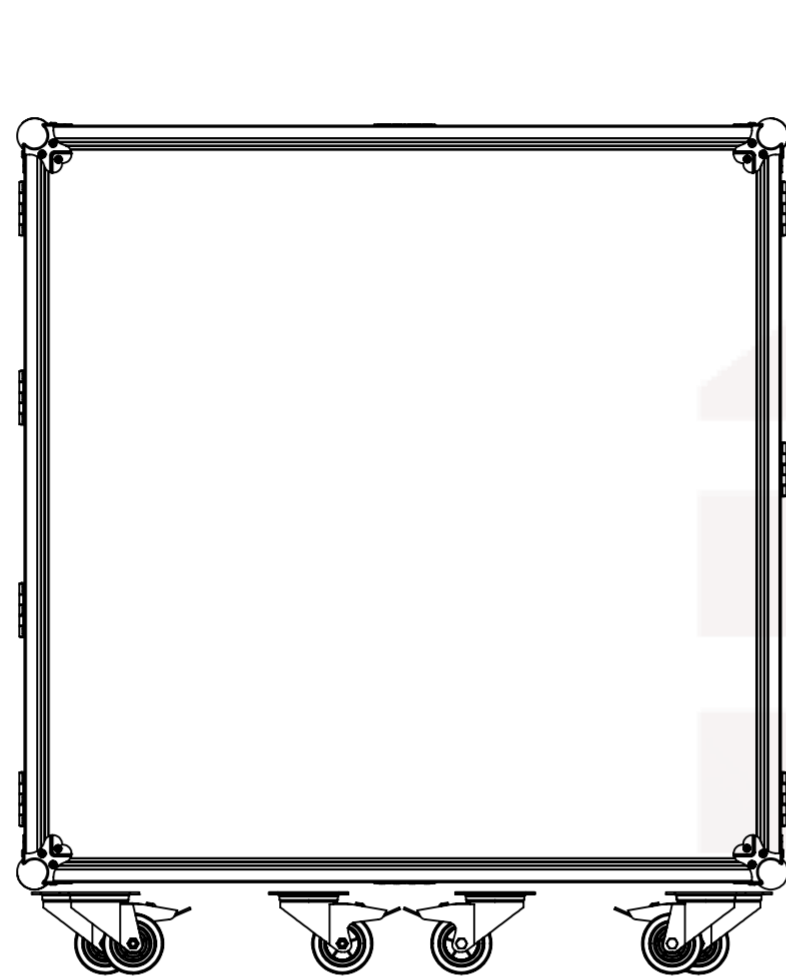
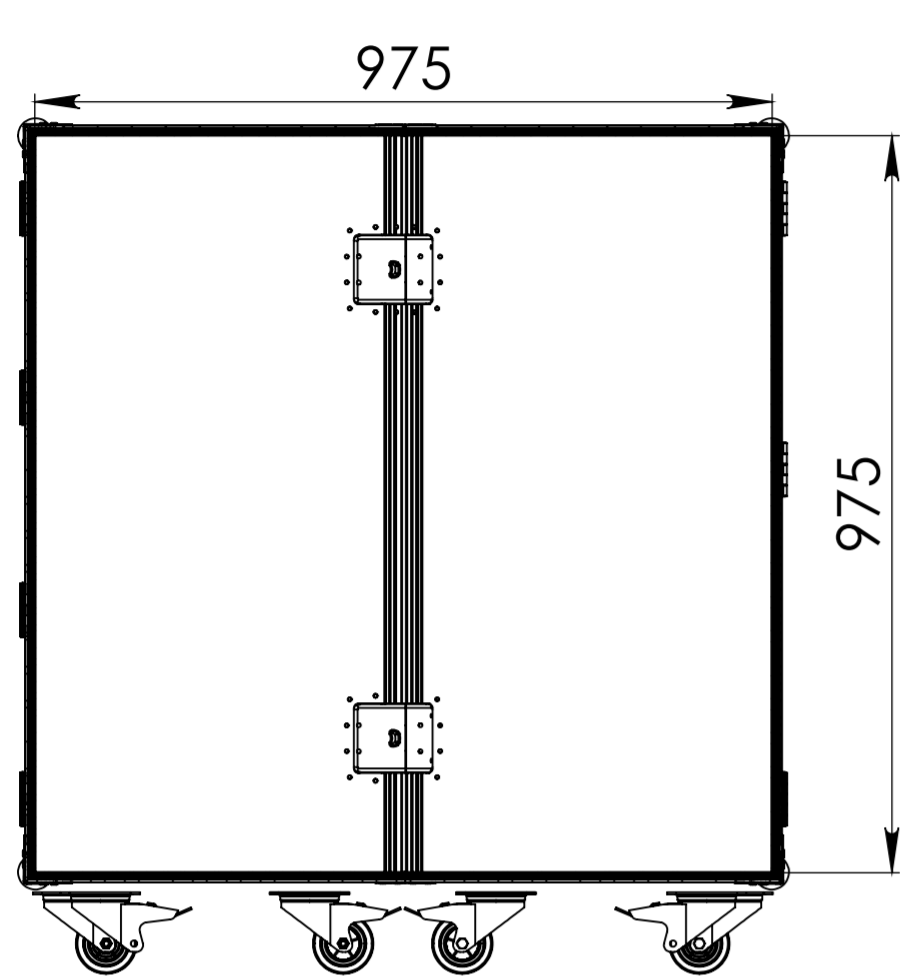


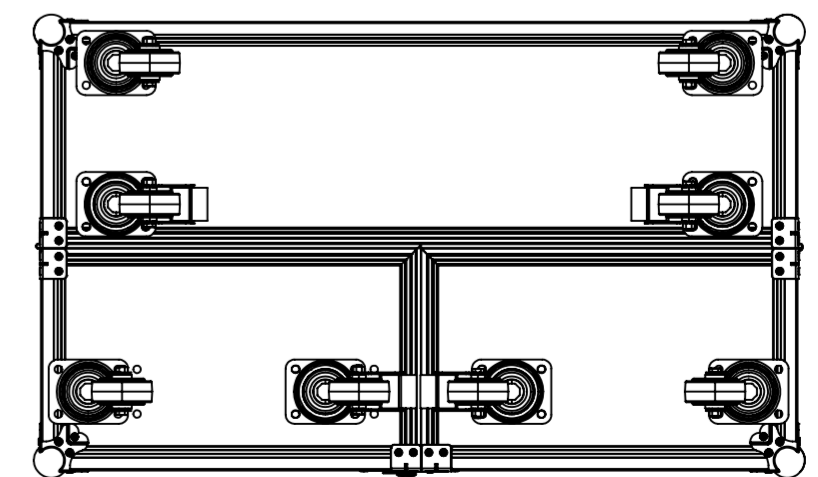
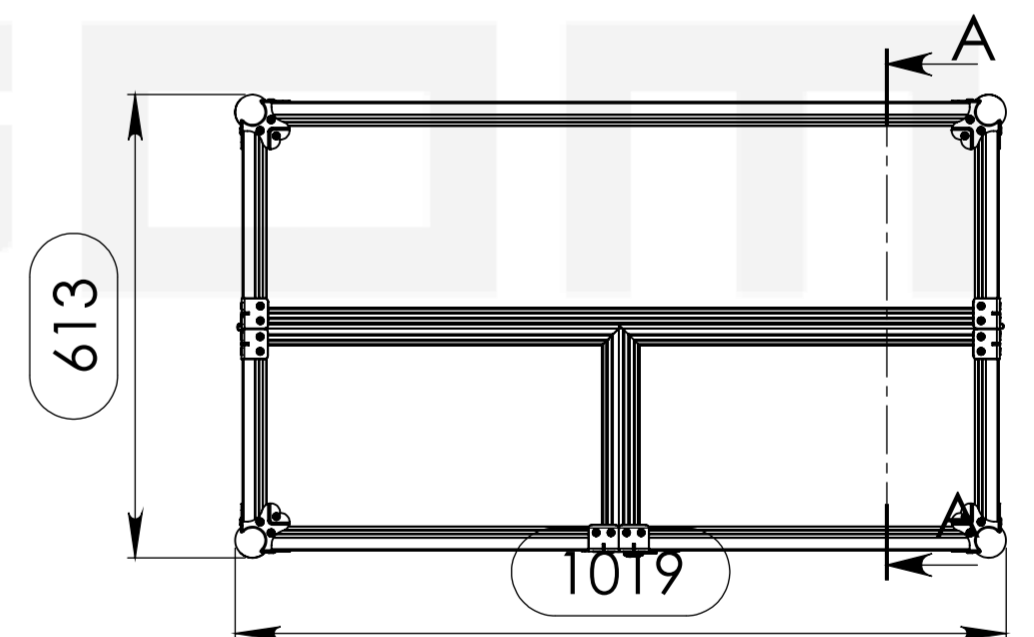
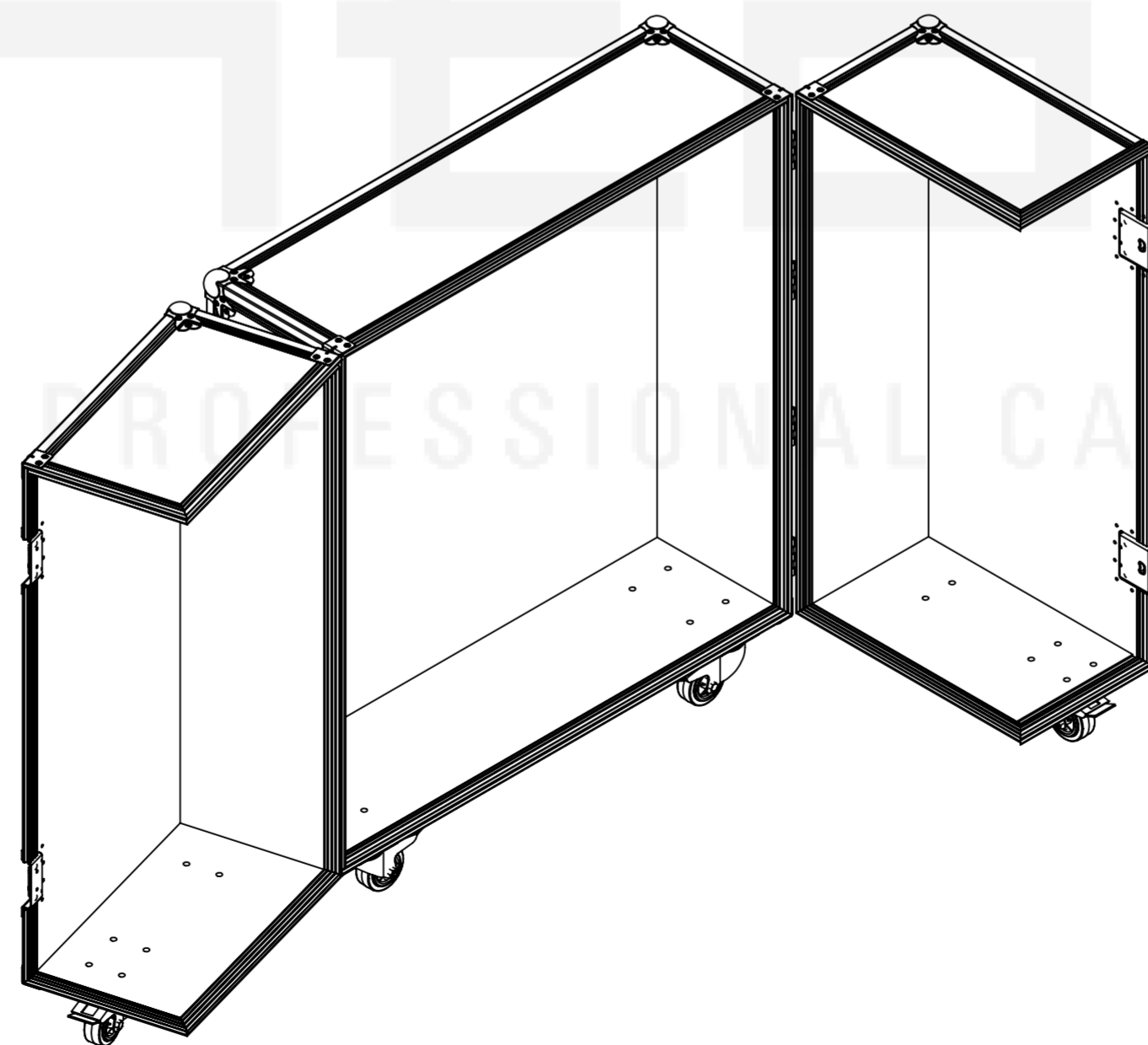
Exterior dimensions

Width	Depth	Height
975	580	975
Weight	Approx. 30 Kg	
Wall Thickness	10mm	



SECTION K-K

SECTION J-J



Hardware		
Qty	Ref.	Description
12	40403	Large corner bracket f. 35mm case angle
7	2602	Medium duty butt hinge z./p.
2	172531	Large butterfly V3 with 'push-back' function
8	410429	Ball Corner large three-leg cranked 35 mm 9 holes
4	RODA.80T	Swivel castor Ø80 mm with brake
4	RODA.80	Swivel castor Ø80 mm without brake

Drawn by	Name	Date
projects		12/05/2017
Reference	L1BBR.1057010	
Scale	1:10	
Units in mm	DO NOT SCALE	general tolerance 0.8mm
1st Angle projection	FC L1BB	1006X656X1010

This drawing must not be copied or disclosed without consent of the owner

