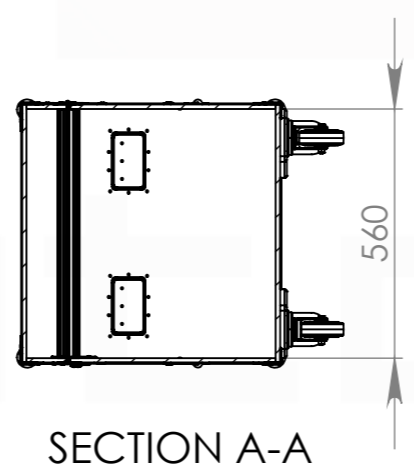
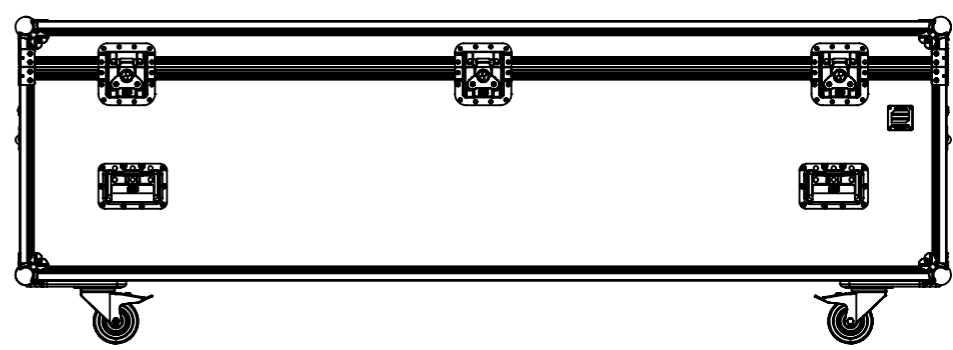
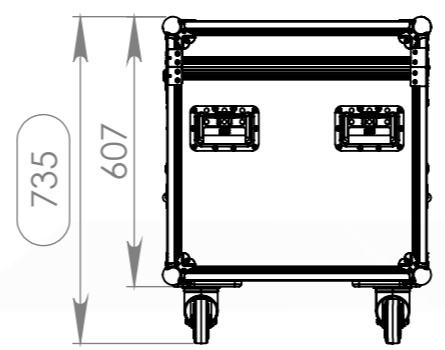
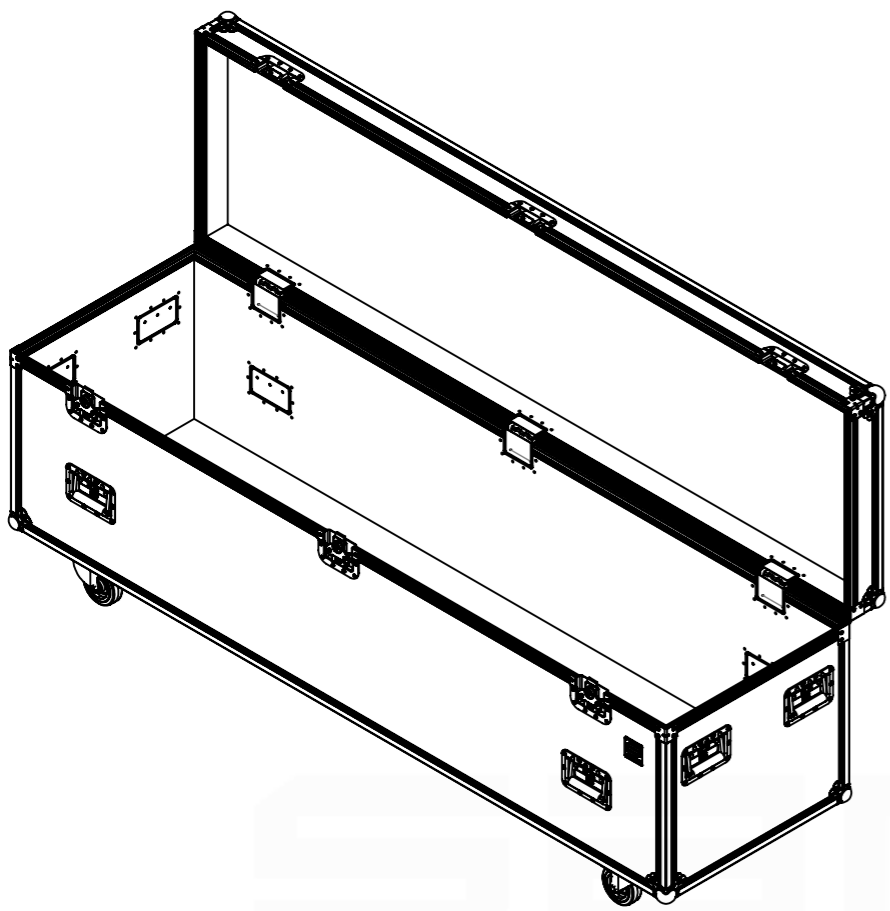
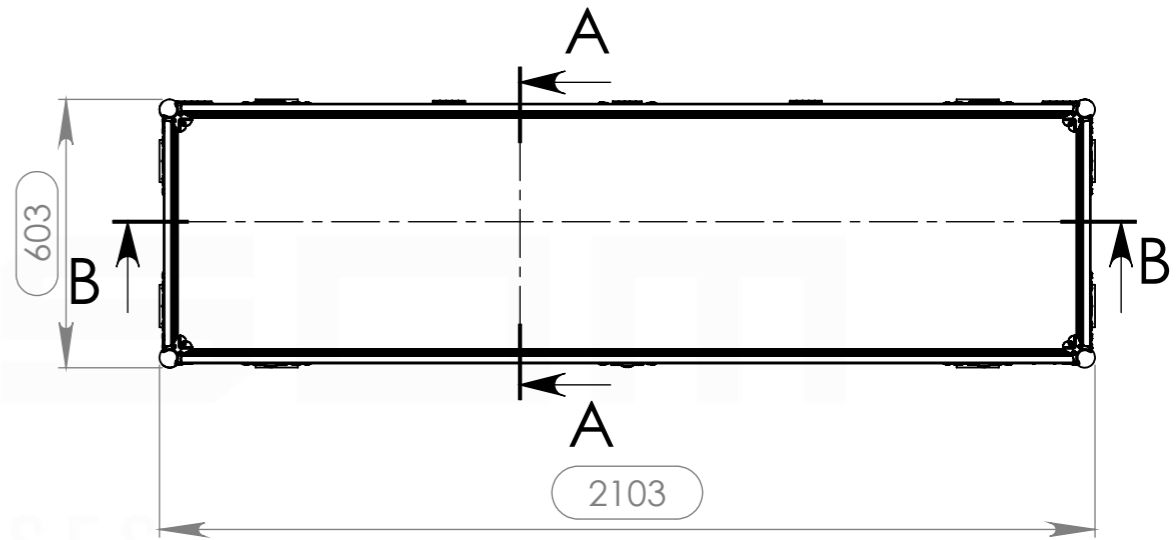


Internal Dimensions		
Width	Depth	Height
2056	556	560
Weight	Approx. 41 Kg	
Wall Thickness		10mm



SECTION A-A



SECTION B-B

Hardware		
Qty	Ref.	Description
3	270736	Short recessed lidstay cranked
3	172531	Large butterfly V3 with 'push-back' function
8	34082	Recessed sprung handle medium model
1	CHAPA.1000	Identification Plate
8	410429	Heavy Duty Ball Corner
4	40403	Large corner bracket f. 35mm case angle
2	RODA.100T	Swivel castor Ø100mm with brake
2	RODA.100	Swivel castor Ø100 mm
2	DCR110	L-shaped Hinge steel galvanised
2	2602	Medium duty butt hinge z./p.

This drawing must not be copied or disclosed without consent of the owner

Drawn by	Name	Date
joao	joao	06/01/2017
Reference	L1AAR.2106060	
Scale	units in mm	general tolerance
1:17	DO NOT SCALE	0.8mm
FC L1AA, 2056X556X560		



A3