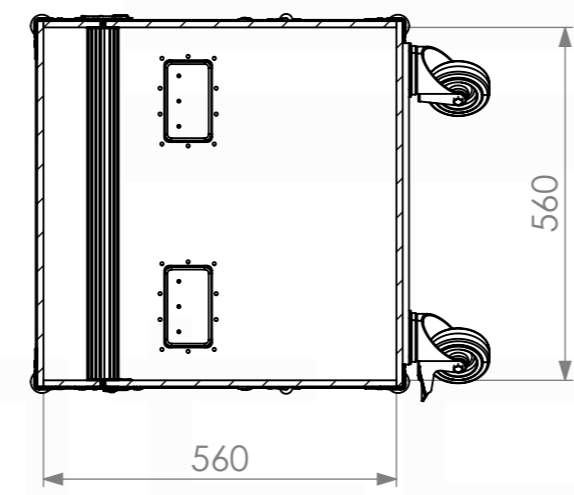
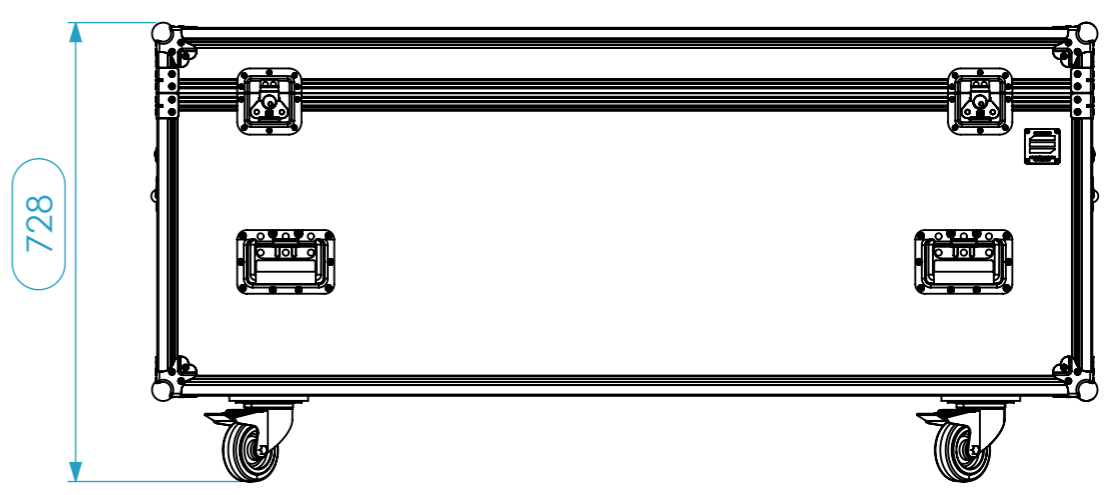
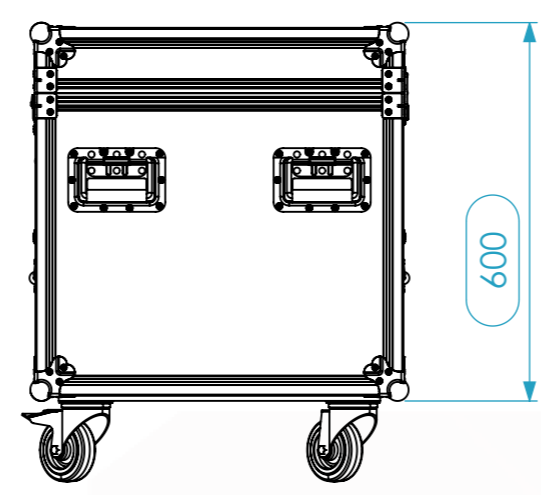
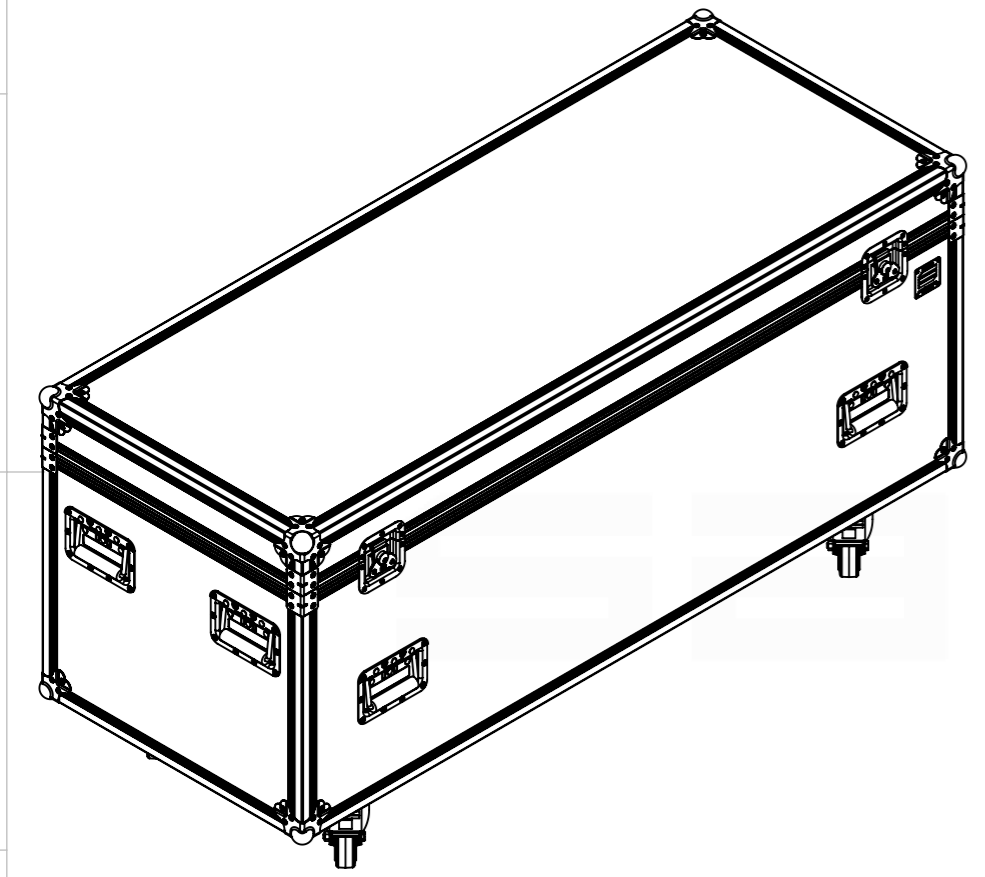
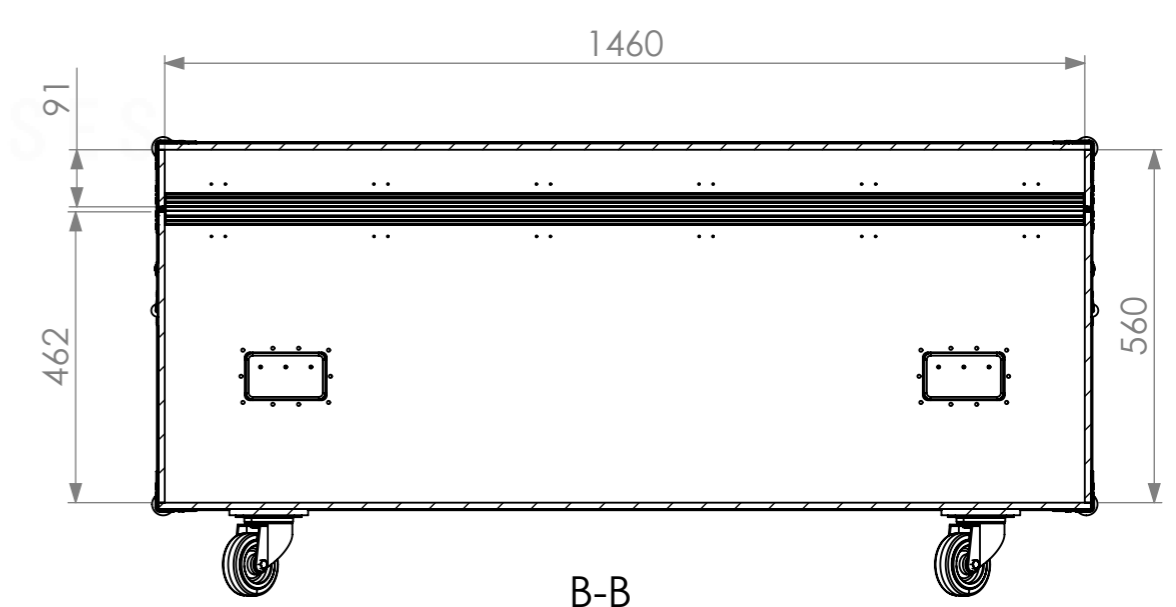
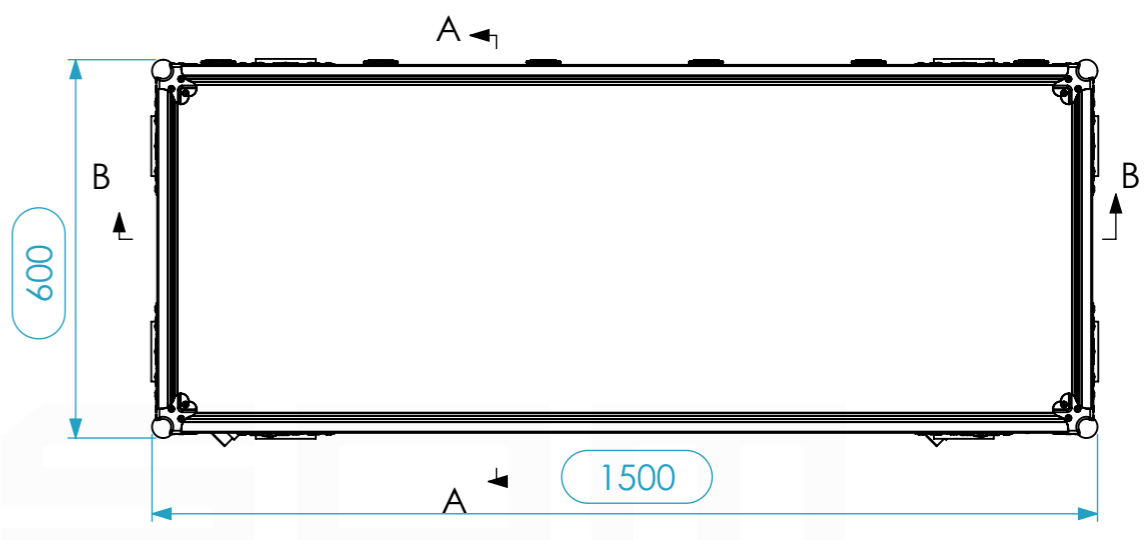


Interior dimensions

Width	Depth	Height
1456	556	560
Weight	Approx. 42 Kg	
Wall Thickness	10mm	



SECTION A-A



B-B

Hardware		
Qty	Ref.	Description
8	410429	Heavy Duty Ball Corner
8	40403	Large corner bracket f. 35mm case angle
2	RODA.100T	Swivel castor Ø100mm with brake
2	RODA.100	Swivel castor Ø100 mm
8	34082	Recessed Sprung Handle Medium
2	17290S	Key lockable medium Butterfly special
6	2524	Heavy Duty Strut Hinge
2	R1.060	Whells Feet for 600mm cases

This drawing must not be copied or disclosed without consent of the owner

Drawn by	Name	Date
CatarinaHenriques		16/01/2018
Reference	L1AAR.1506060	
Scale	units in mm	general tolerance
1:12	DO NOT SCALE	0.8mm
FLIGHTCASE L1 1456X556X560 INNER DIM		

