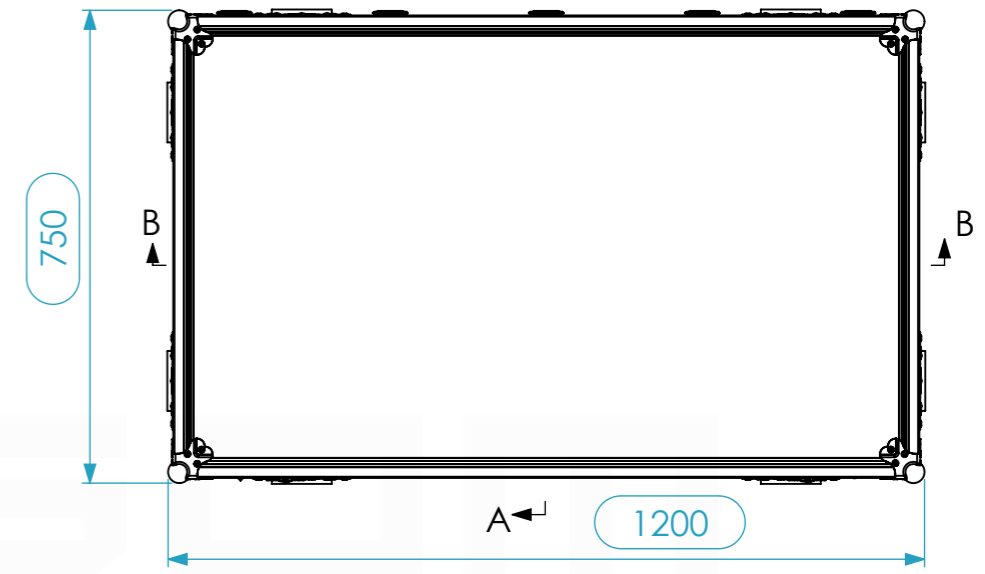
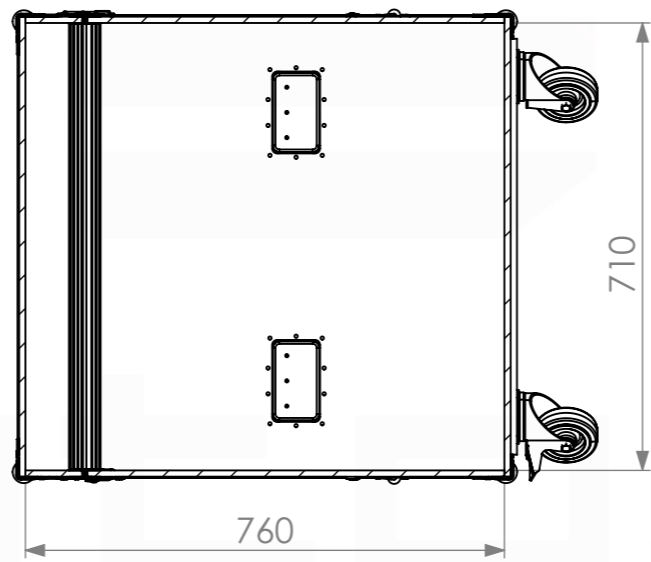
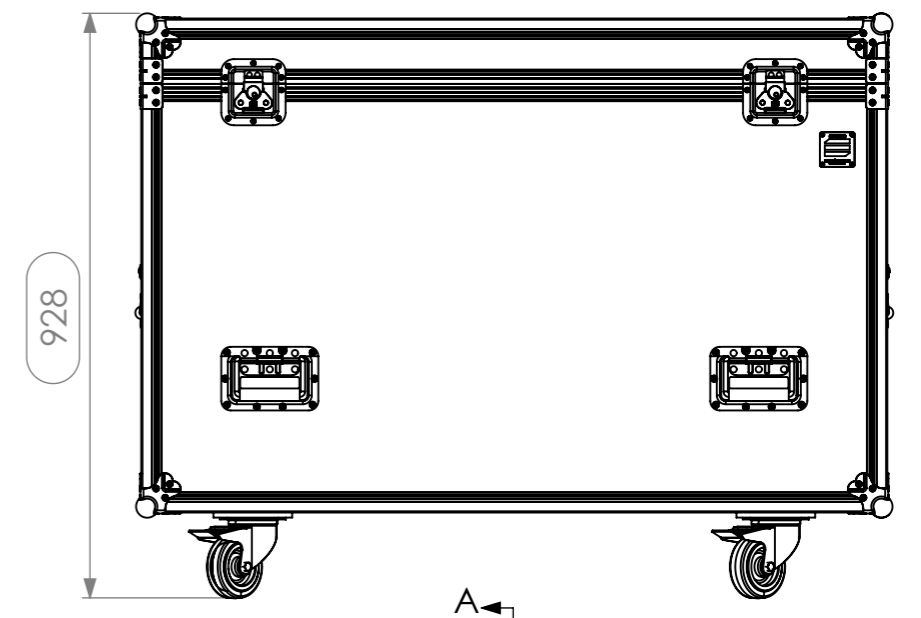
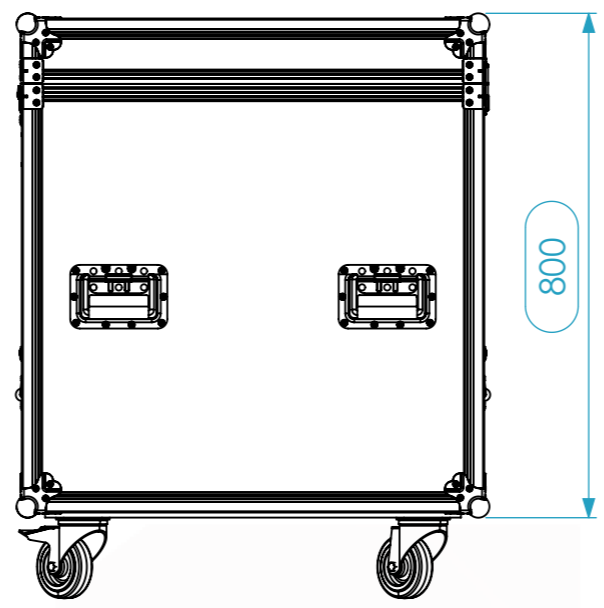
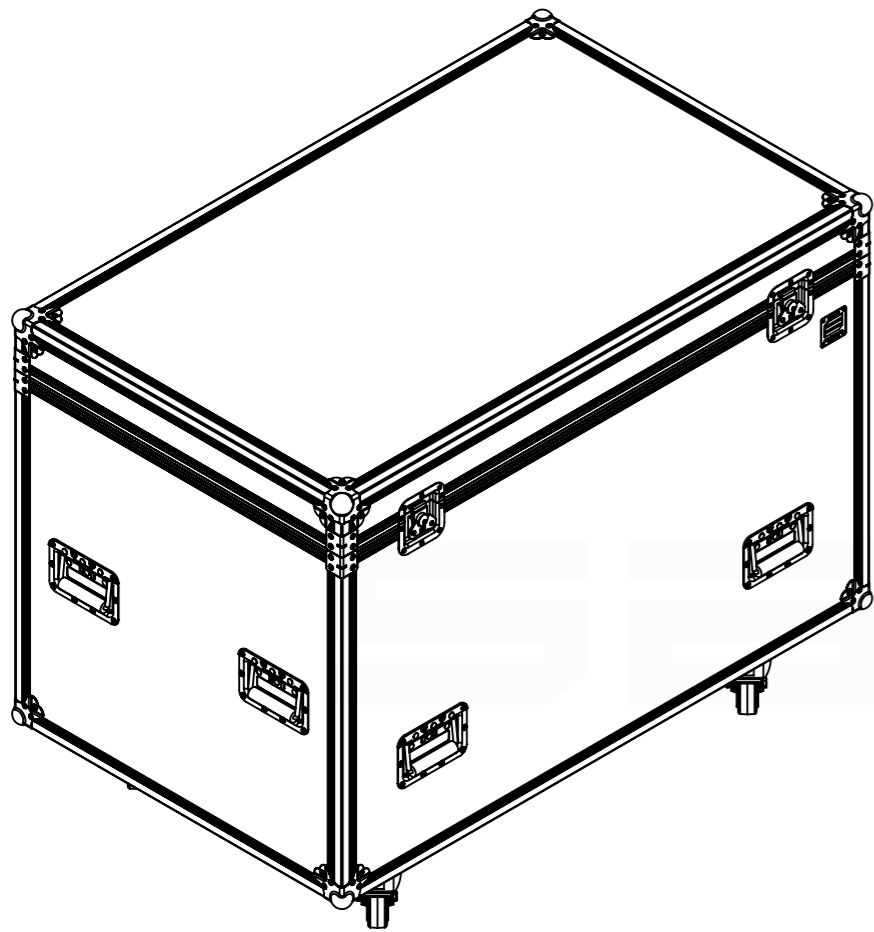


Internal Dimensions		
Width	Depth	Height
1156	706	760
Weight	Approx. 46 Kg	
Wall Thickness		10mm



SECTION A-A

SECTION B-B

Hardware		
Qty	Ref.	Description
8	410429	Heavy Duty Ball Corner
8	40403	Large corner bracket f. 35mm case angle
2	RODA.100T	Swivel castor Ø100mm with brake
2	RODA.100	Swivel castor Ø100 mm
8	34082	Recessed Sprung Handle Medium
2	17290S	Key lockable medium Butterfly special
5	2524	Heavy Duty Strut Hinge
2	R1.075	Whells Feet for 750mm cases

PROFESSIONAL CASES

This drawing must not be copied or disclosed without consent of the owner

Drawn by	Name	Date
Catarina Henriques	Catarina Henriques	18/01/2018
Reference	L1AAR.1206065	
Scale	units in mm	general tolerance
1:12	DO NOT SCALE	0.8mm
1st Angle projection	FC.L1AA.1156X556X610	

