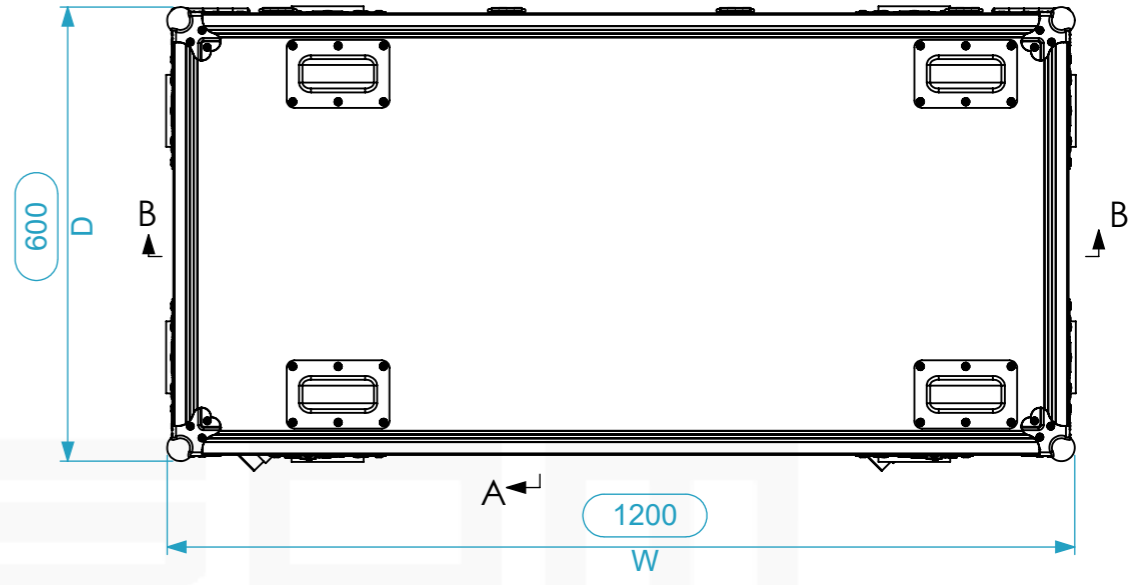
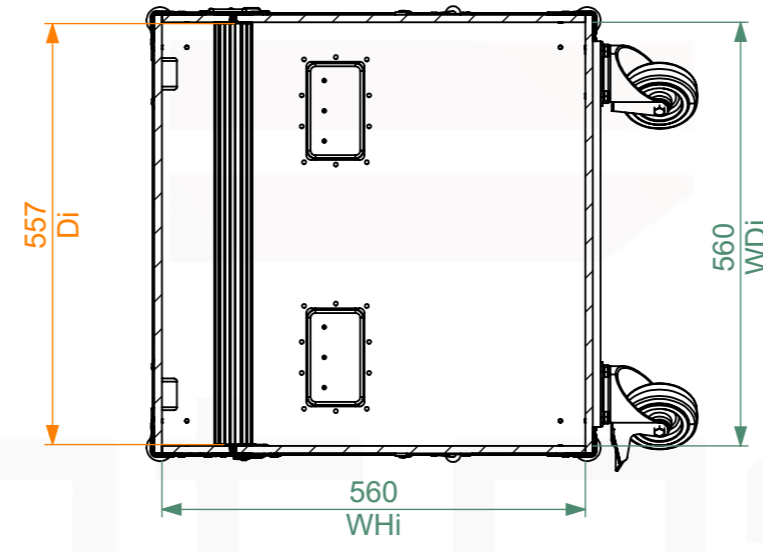
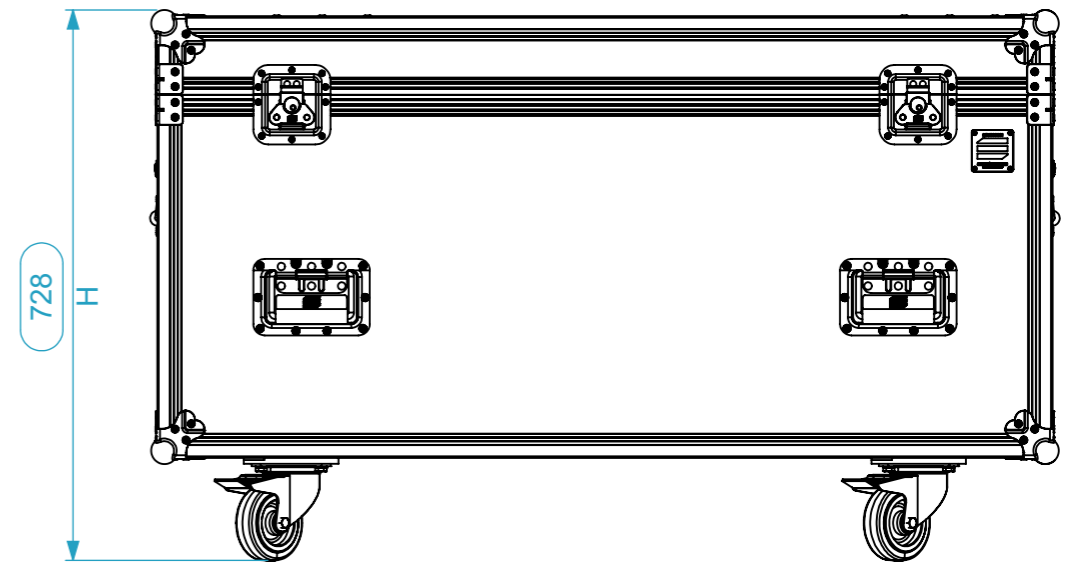
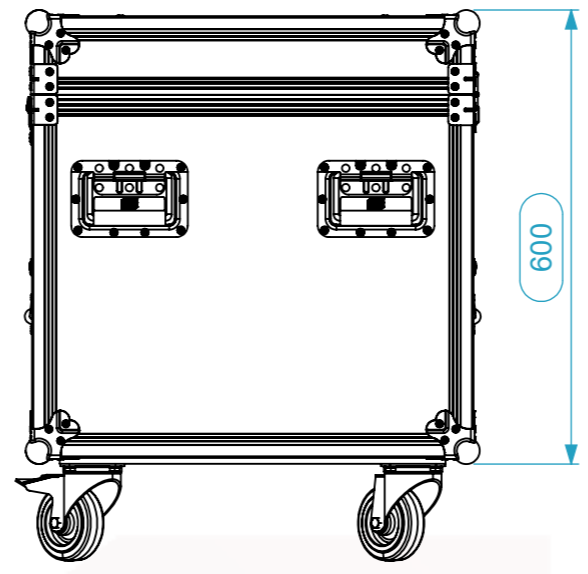


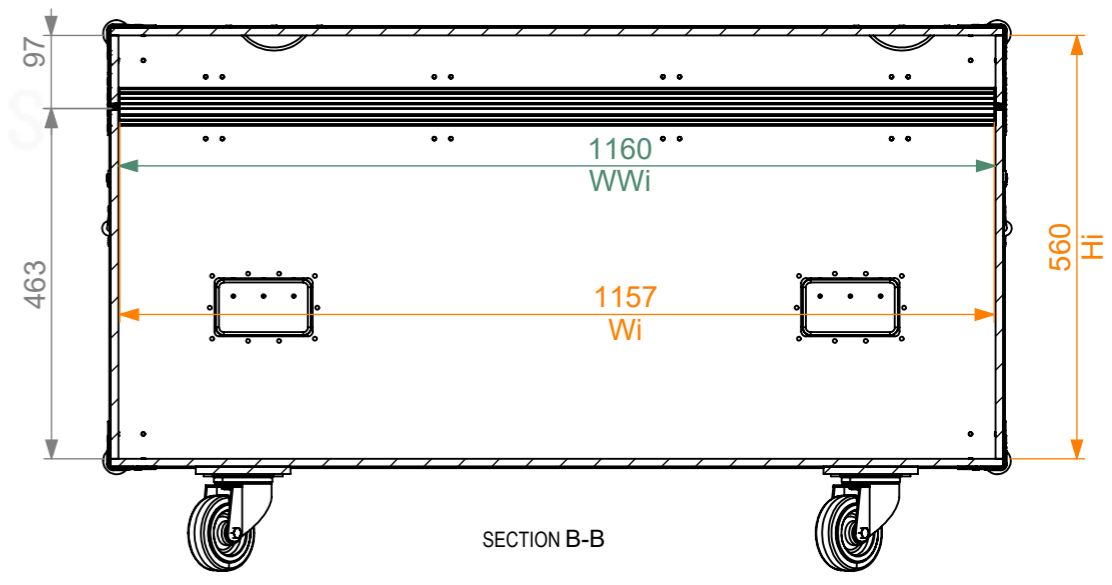
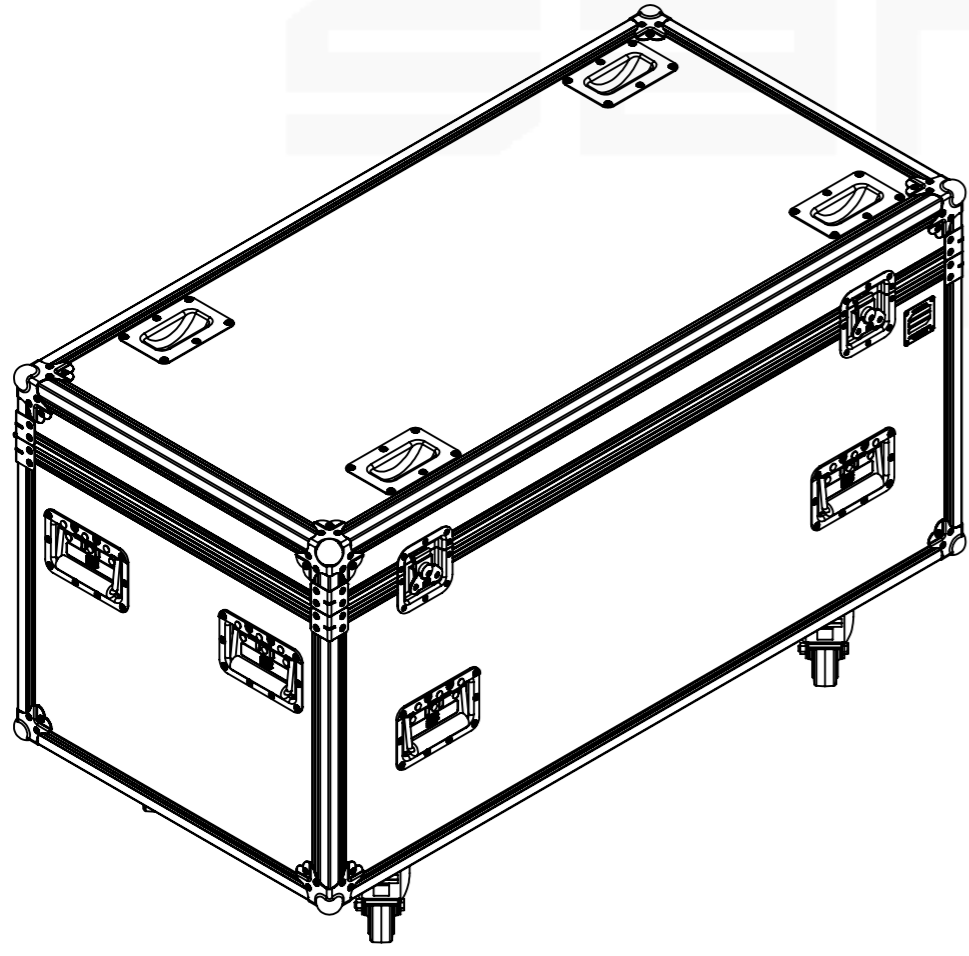
Internal Dimensions

Width	Depth	Height
1156	556	560
Weight	Approx. 37 Kg	
Wall Thickness		10mm

General External Dimensions	
W	Width
D	Depth
H	Height
Usable Inner Dimensions	
Wi	Inside Width
Di	Inside Depth
Hi	Inside Height
Wood Inner Dimensions	
WWi	Wood Inside Width
WDi	Wood Inside Depth
WHi	Wood Inside Height



SECTION A-A



SECTION B-B

Drawn by	Name	Date
CarlaSilva	CarlaSilva	05/05/2023
Reference	L1AAR.1206060	
Scale	units in mm	general tolerance
1:10	DO NOT SCALE	0.8mm
1st Angle projection	FC.L1AA.1156X556X560	



This drawing must not be copied or disclosed without consent of the owner

A3