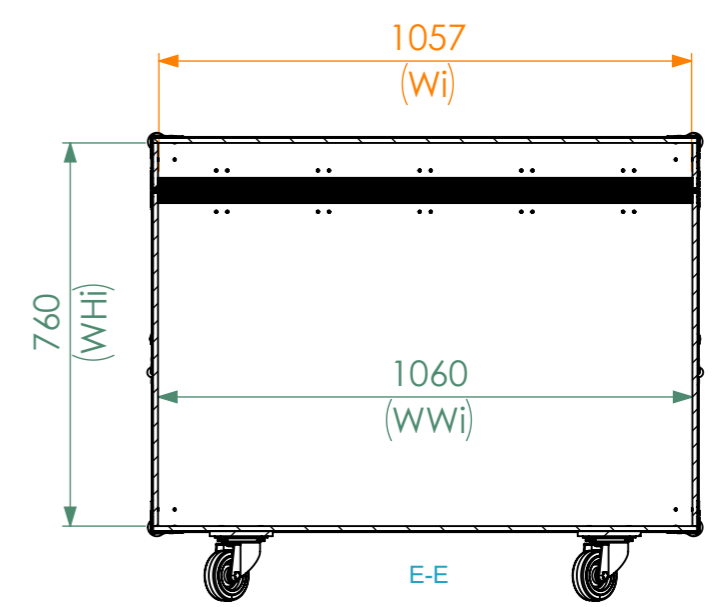
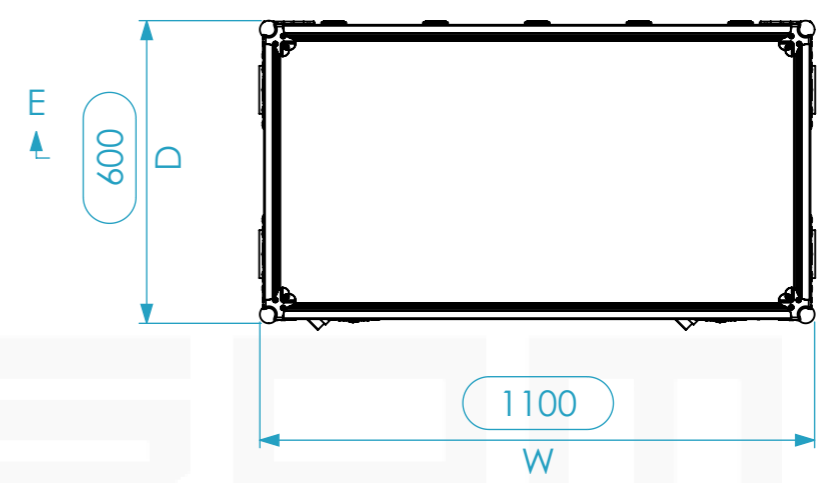
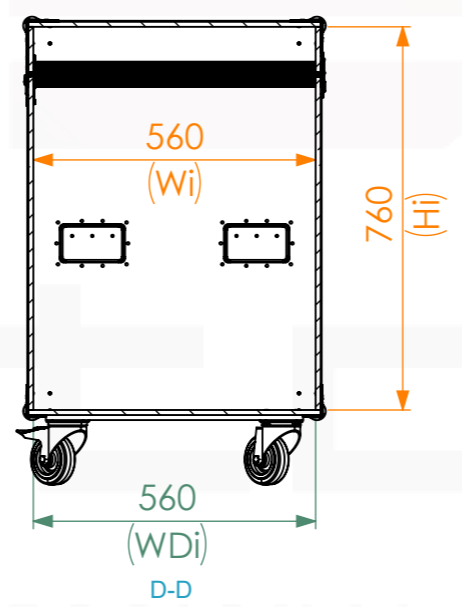
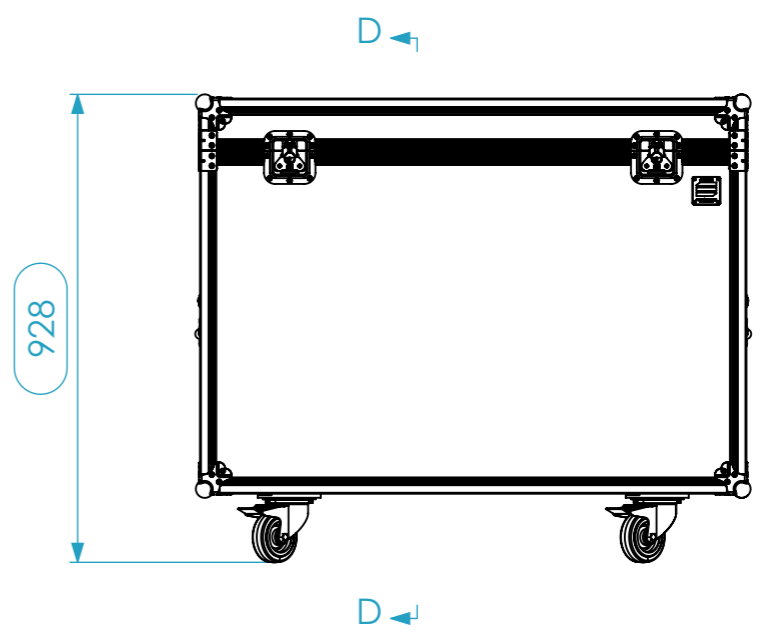
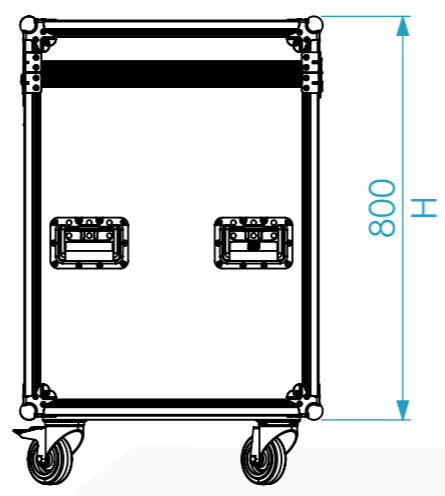
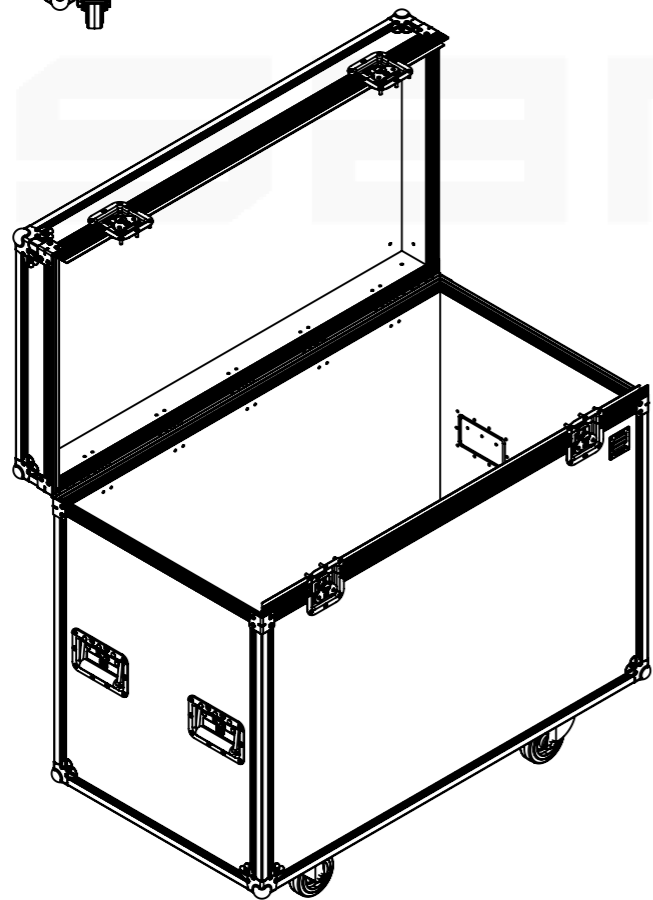
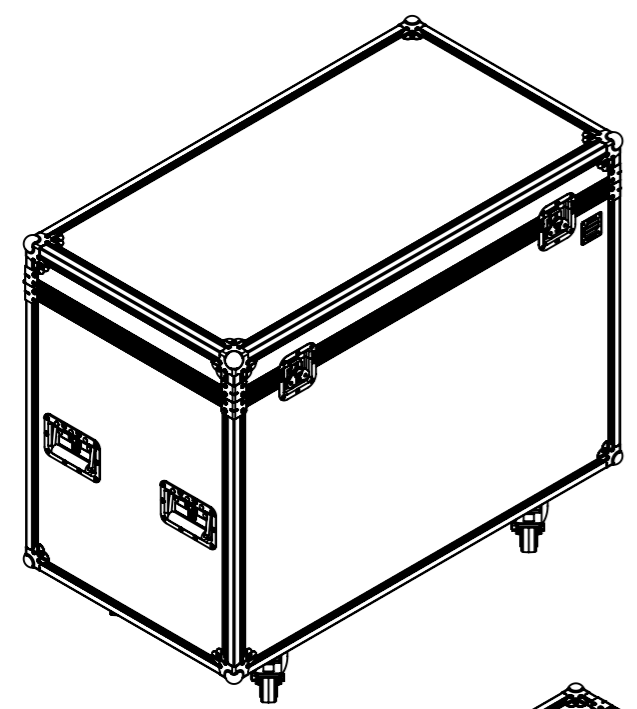


Internal Dimensions		
Width	Depth	Height
1056	556	756
Weight	Approx. 28 Kg	
Wall Thickness	10mm	



General External Dimensions		Usable Inner Dimensions		Wood Inner Dimensions	
W	Width	Wi	Inside Width	WWi	Wood Inside Width
D	Depth	Di	Inside Depth	WDi	Wood Inside Depth
H	Height	Hi	Inside Height	WHi	Wood Inside Height

This drawing must not be copied or disclosed without consent of the owner

Drawn by	Name	Date
projects		16/12/2019
Reference	L1AAR.1106080	
Scale	units in mm	general tolerance
1:15	DO NOT SCALE	0.8mm
1st Angle projection	Mat3o L1R 160.60.80 (106x56x76 WID)	

