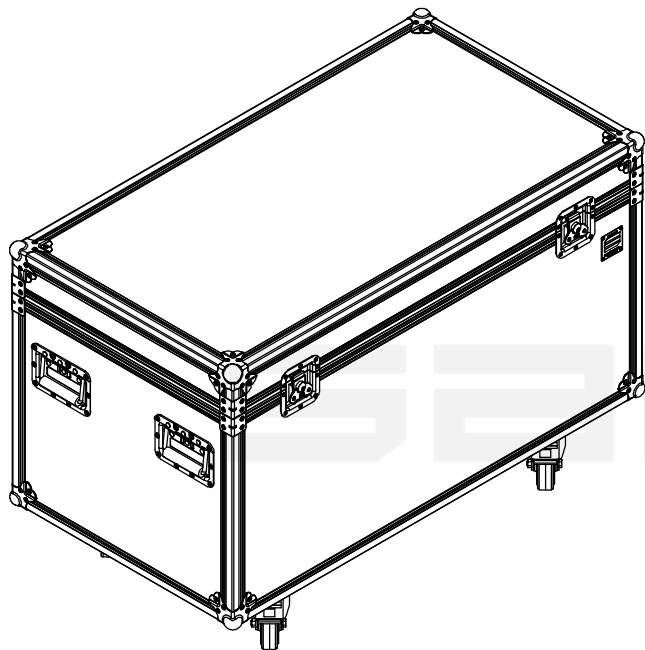
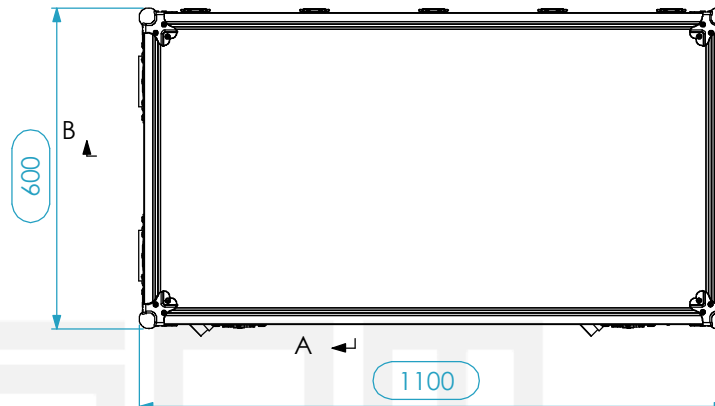
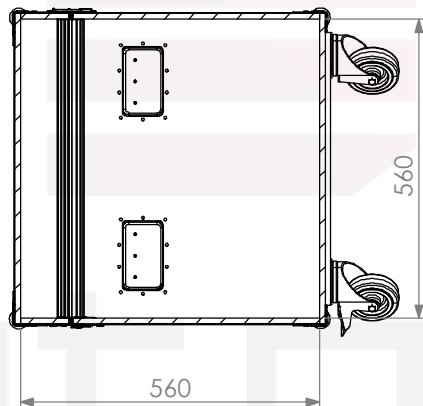
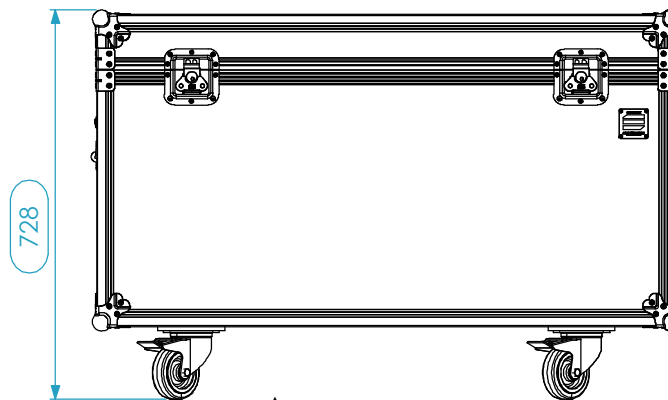
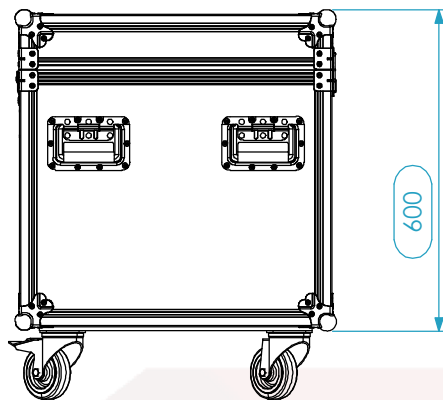


Internal Dimensions		
Width	Depth	Height
1056	556	560
Weight	Approx. 33 Kg	
Wall Thickness		10mm

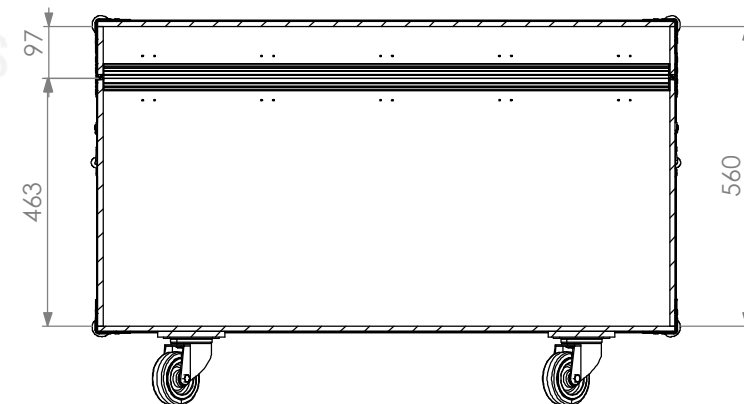


SECTION A-A

SECTION B-B

PROFESSIONAL CASES

Hardware		
Qty	Ref.	Description
8	410429	Heavy Duty Ball Corner
8	40403	Large corner bracket f. 35mm case angle
2	RODA.100T	Swivel castor Ø100mm with brake
2	RODA.100	Swivel castor Ø100 mm
4	34082	Recessed Sprung Handle Medium
2	17290S	Key lockable medium Butterfly special
5	2524	Heavy Duty Strut Hinge
2	R1.060	Whells Feet for 600mm cases



This drawing must not be copied or disclosed without consent of the owner

Drawn by	Name	Date
Catarina Henriques		15/01/2018
Reference	L1AAR.1106060	
Scale	units in mm	general tolerance
1:10	DO NOT SCALE	0.8mm
1st Angle projection	FC L1AA, 1056X556X560	

santosom
PROFESSIONAL CASES