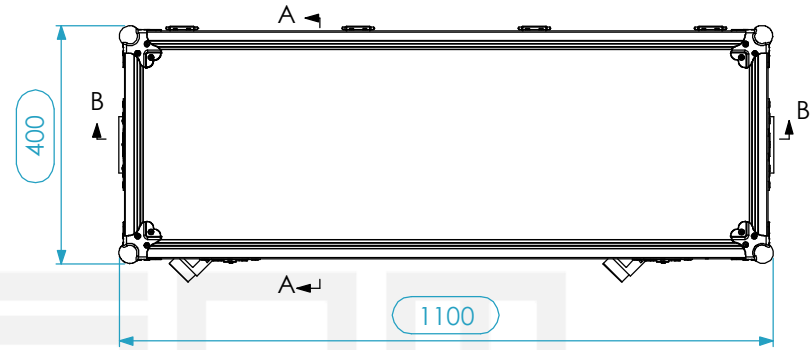
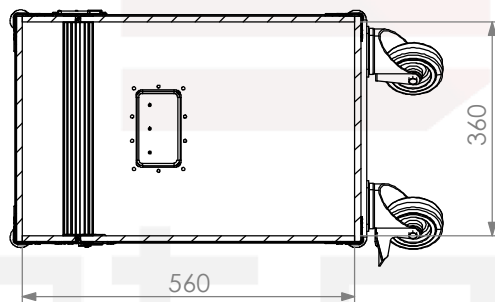
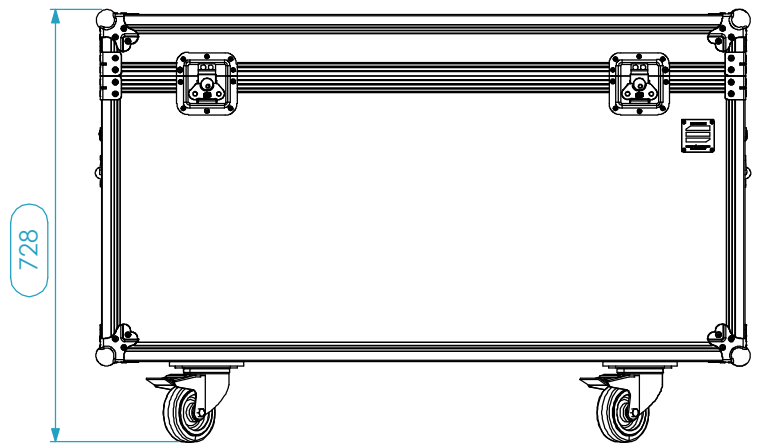
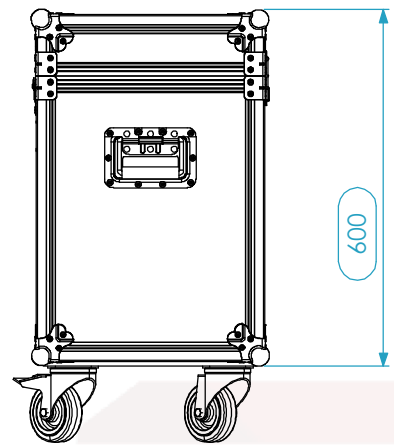
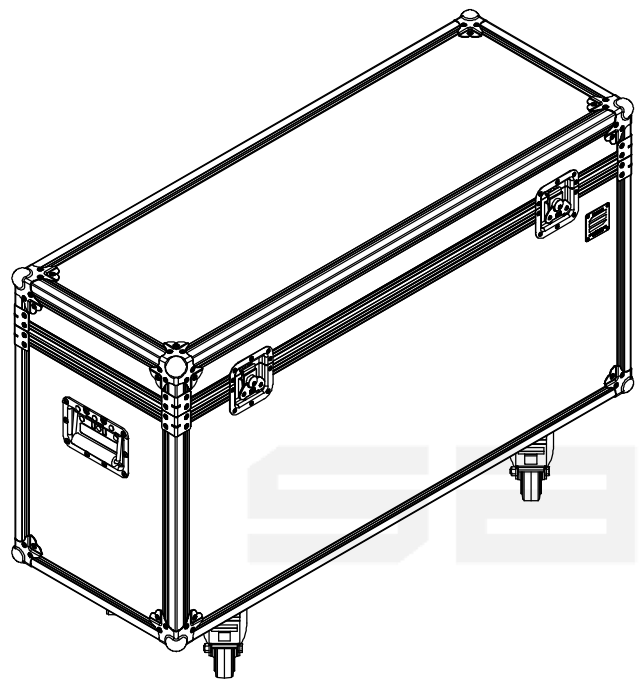
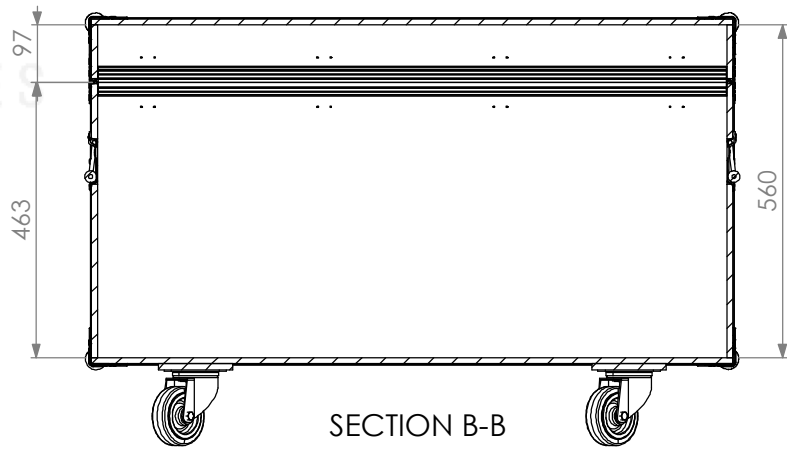


Internal Dimensions		
Width	Depth	Height
1056	356	560
Weight	Approx. 27 Kg	
Wall Thickness		10mm



SECTION A-A



SECTION B-B

Hardware		
Qty	Ref.	Description
8	410429	Heavy Duty Ball Corner
8	40403	Large corner bracket f. 35mm case angle
2	RODA.100T	Swivel castor Ø100mm with brake
2	RODA.100	Swivel castor Ø100 mm
2	34082	Recessed Sprung Handle Medium
2	17290S	Key lockable medium Butterfly special
4	2524	Heavy Duty Strut Hinge
2	R1.044	Whells Feet 360mm

PROFESSIONAL CASES

This drawing must not be copied or disclosed without consent of the owner

Drawn by	Name	Date
Catarina Henriques		15/01/2018
Reference	LIAAR.1104060	
Scale	units in mm	general tolerance 0.8mm
1:9	DO NOT SCALE	
FC L1AA, 1056X356X560		

