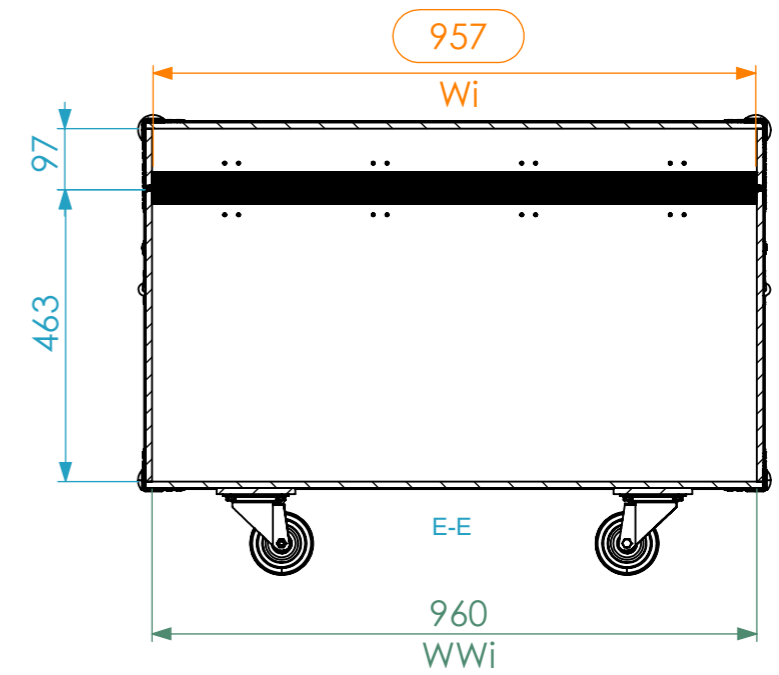
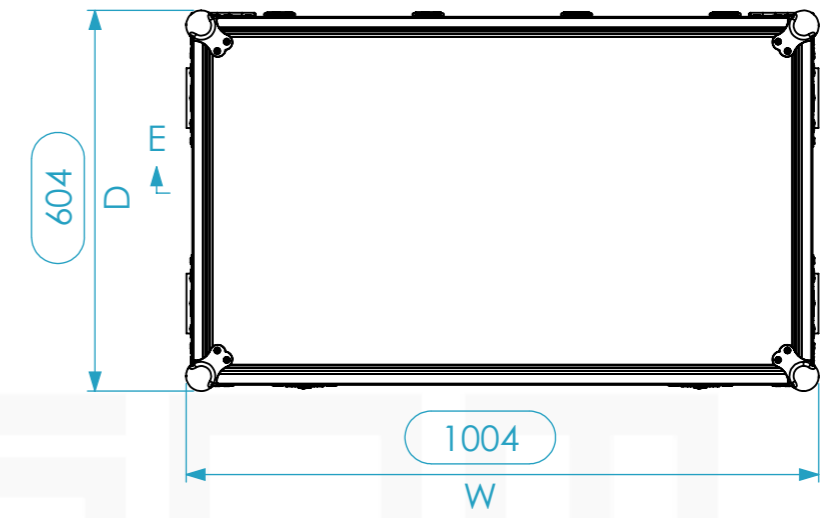
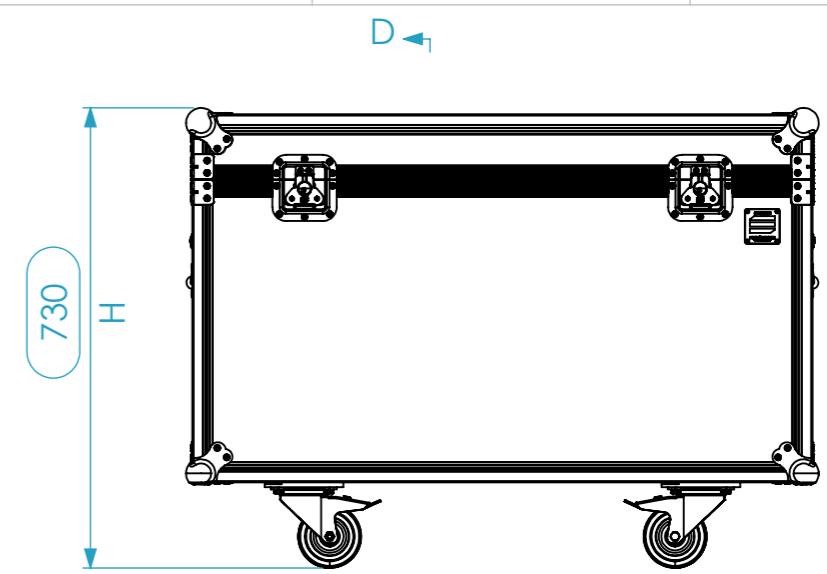
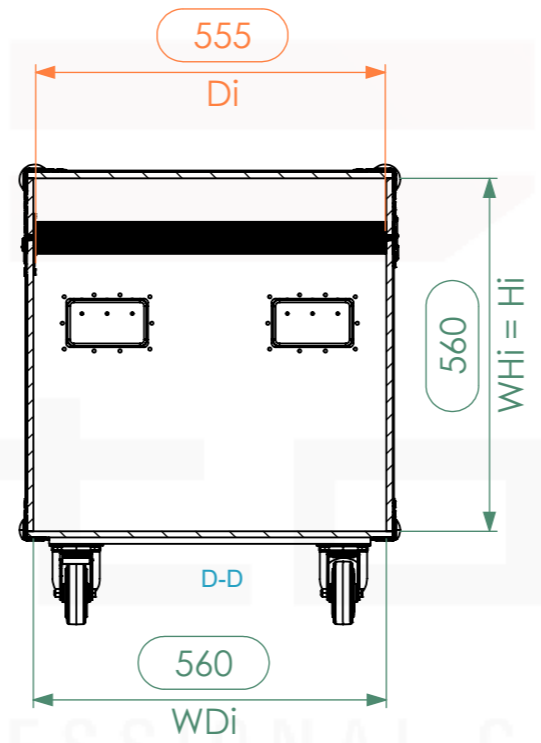
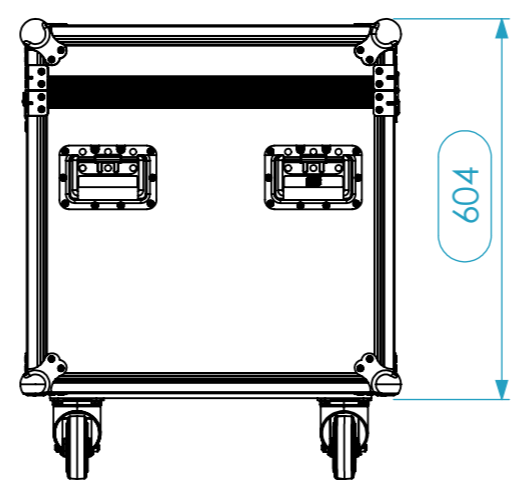
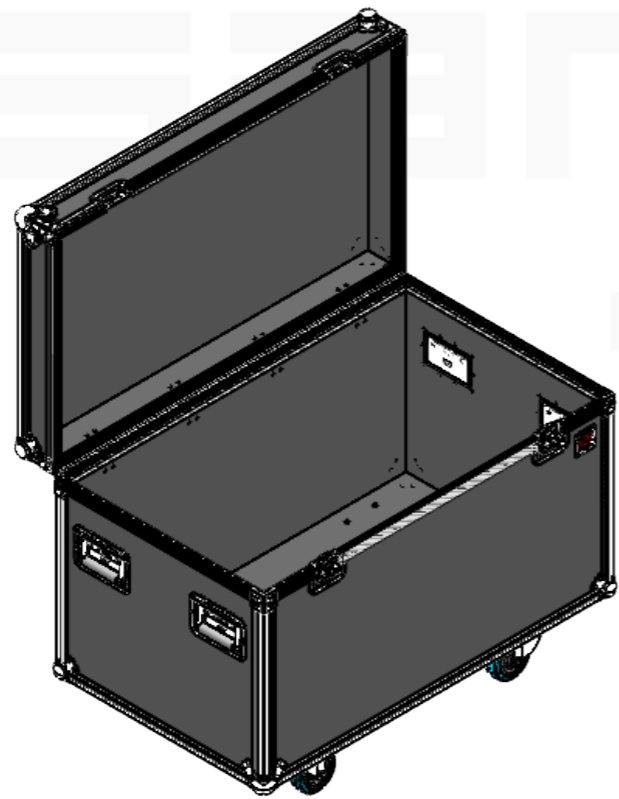
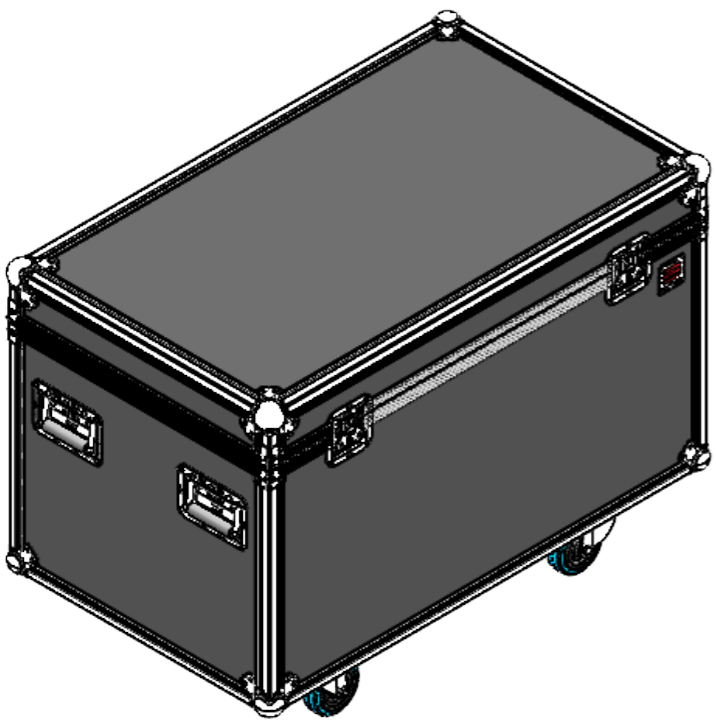


Internal Dimensions		
Width	Depth	Height
956	556	556
Weight	Approx. 29 Kg	
Wall Thickness	10mm	



General External Dimensions		Usable Inner Dimensions		Wood Inner Dimensions	
W	Width	Wi	Inside Width	WWi	Wood Inside Width
D	Depth	Di	Inside Depth	WDi	Wood Inside Depth
H	Height	Hi	Inside Height	WHi	Wood Inside Height

This drawing must not be copied or disclosed without consent of the owner

Drawn by	Paula Almeida	Date	13/03/2023
Reference	L1AAR.1006060		
Scale	1:12	units in mm	general tolerance 0.8mm
1st Angle projection	Maço L1R 100.60.60 (956x556x556 WID)		

