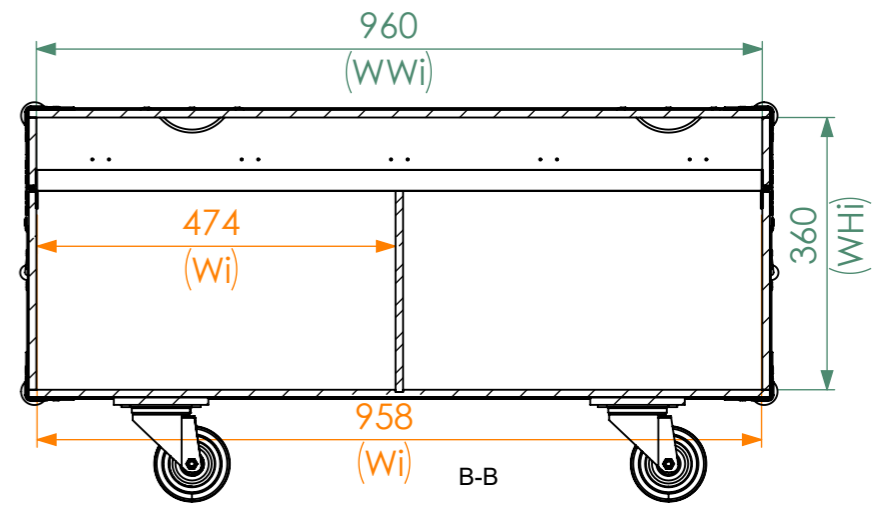
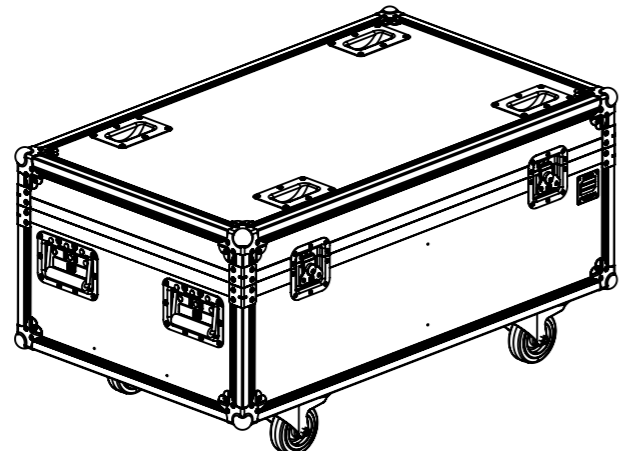
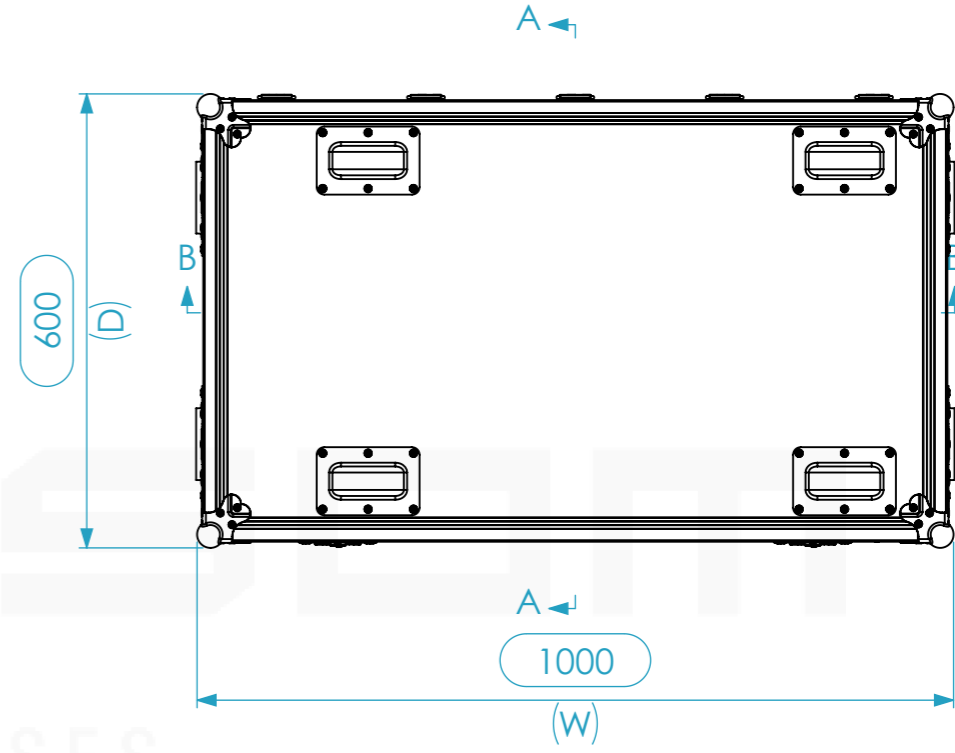
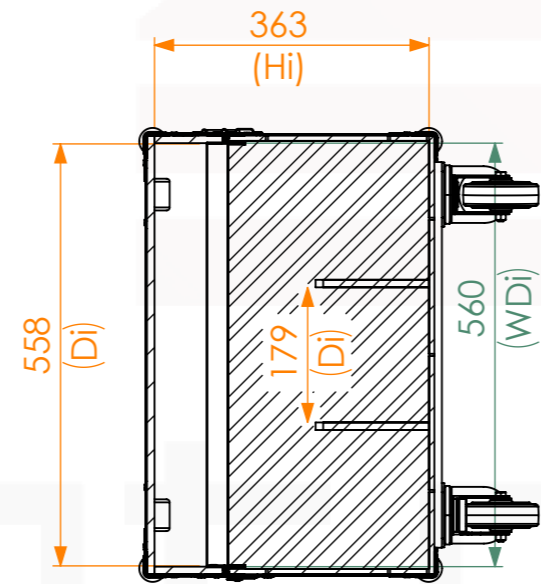
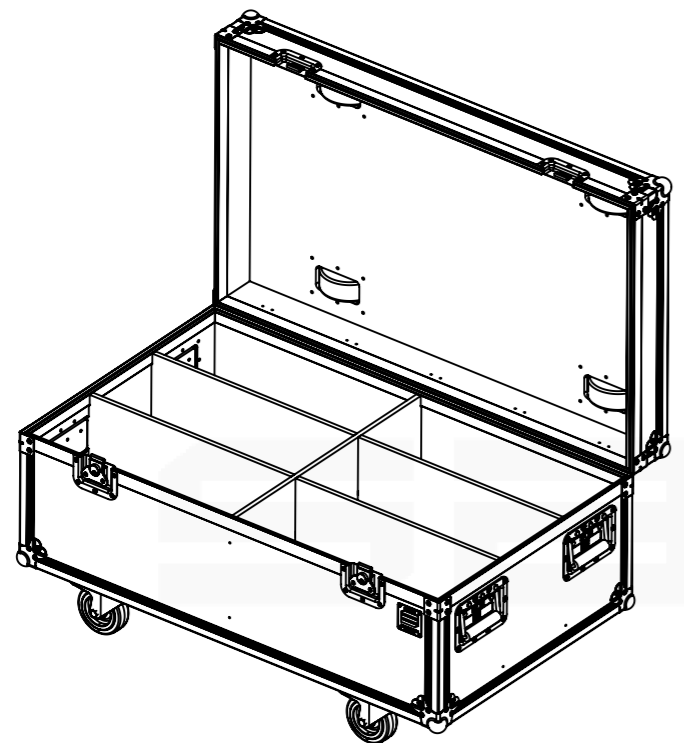
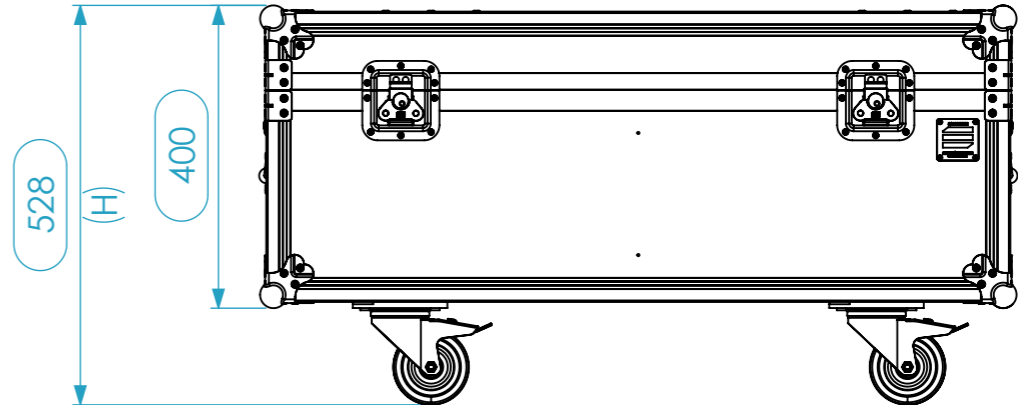
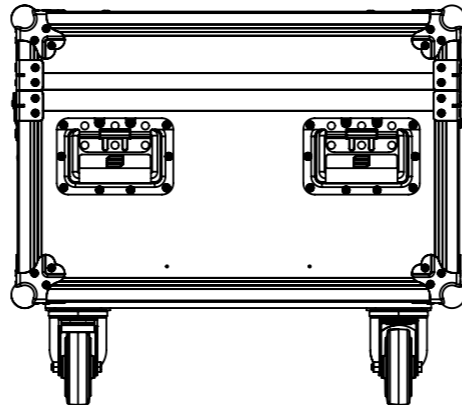


Internal Dimensions		
Width	Depth	Height
474	178,67	363
Weight	Approx. 30 Kg	
Wall Thickness	10mm	



General External Dimensions		Usable Inner Dimensions (UID)		Wood Inner Dimensions (WID)	
W	Width	Wi	Inside Width	WWi	Wood Inside Width
D	Depth	Di	Inside Depth	WDi	Wood Inside Depth
H	Height	Hi	Inside Height	WHi	Wood Inside Height

Name	Date
CarlaSilva	26/07/2018
Reference	L1AAR.1006040.06D
Scale	1:10
units in mm	general tolerance 0,8mm
DO NOT SCALE	
FLIGHT CASE STD. 6X 44.21 (44X21X26 UID)	



This drawing must not be copied or disclosed without consent of the owner



A3