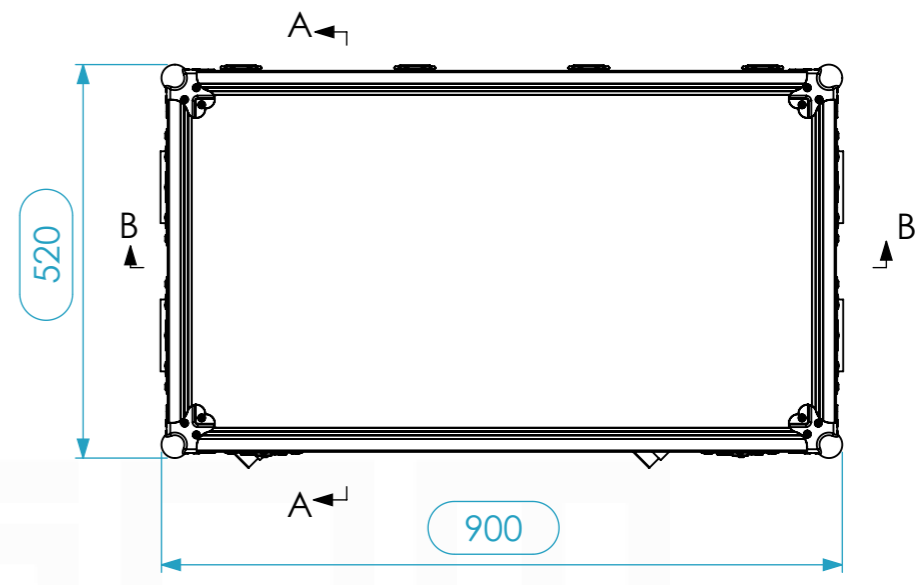
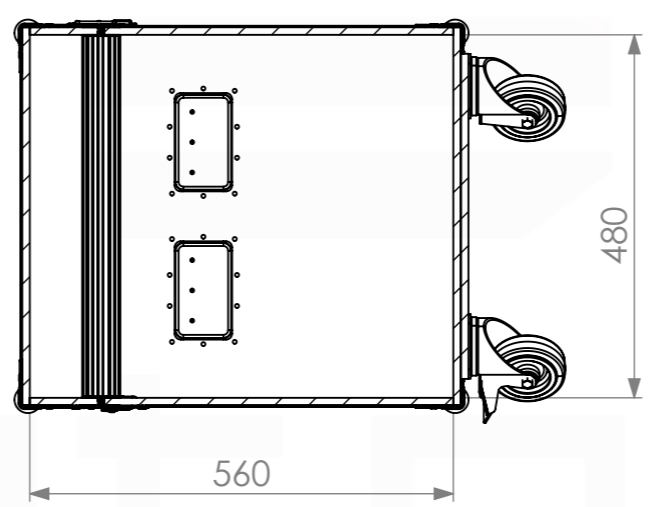
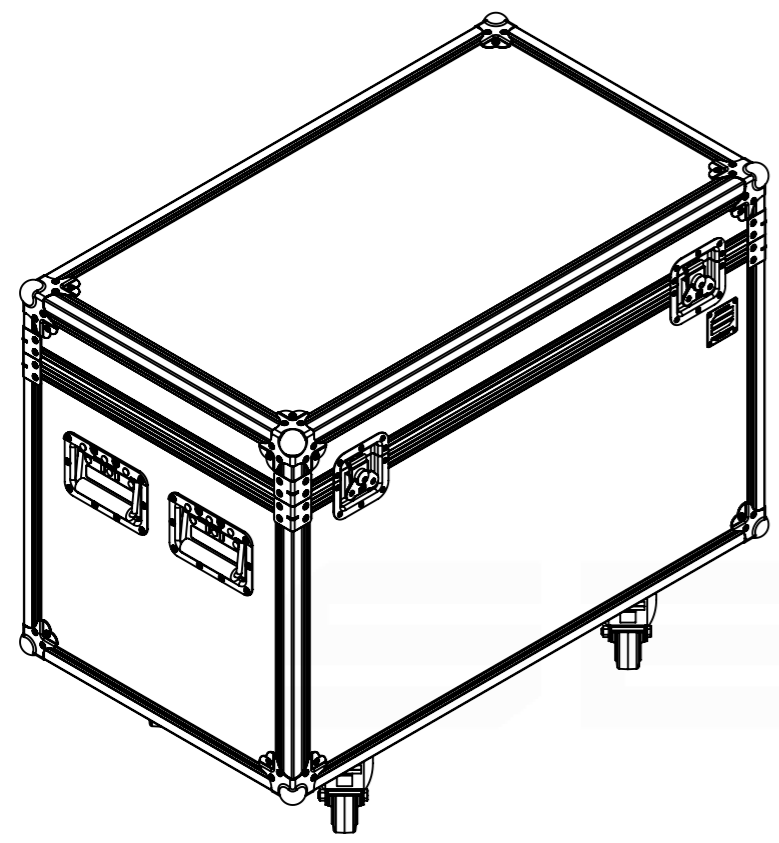
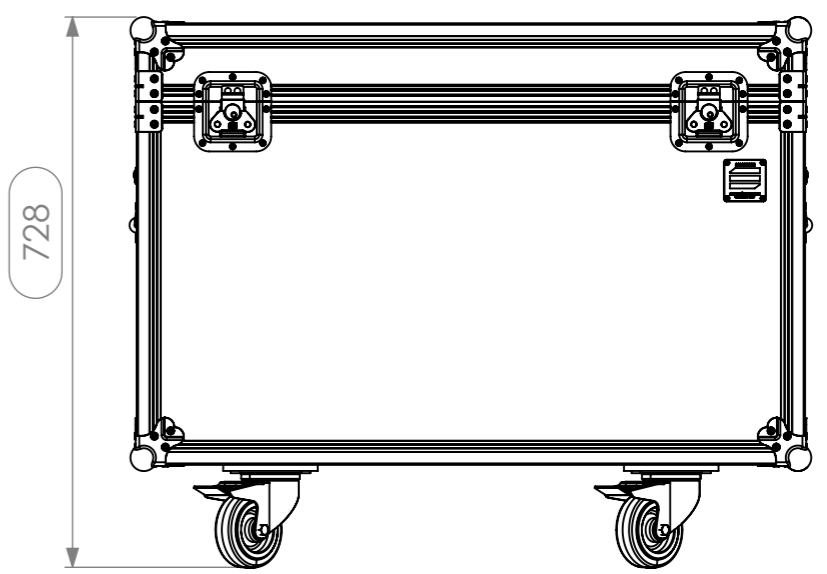
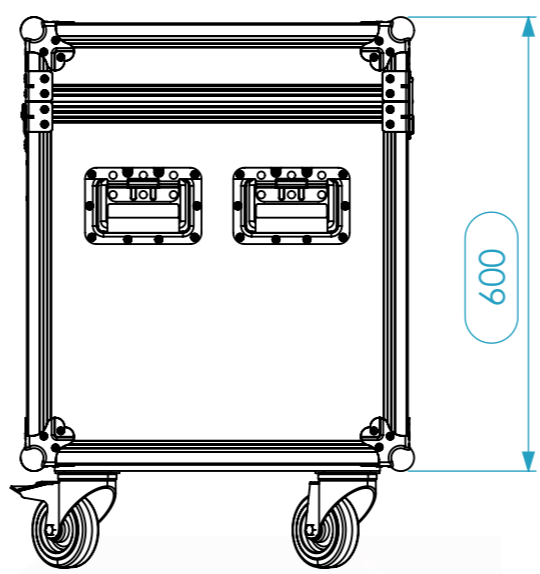


Internal Dimensions		
Width	Depth	Height
856	476	560
Weight	Approx. 27 Kg	
Wall Thickness		10mm



SECTION A-A

SECTION B-B

PROFESSIONAL CASES

Hardware		
Qty	Ref.	Description
8	410429	Heavy Duty Ball Corner
8	40403	Large corner bracket f. 35mm case angle
2	RODA.100T	Swivel castor Ø100mm with brake
2	RODA.100	Swivel castor Ø100 mm
4	34082	Recessed Sprung Handle Medium
2	17290S	Key lockable medium Butterfly special
4	2524	Heavy Duty Strut Hinge
2	R1.055	Whells Feet for 550mm cases

A3 This drawing must not be copied or disclosed without consent of the owner

Drawn by	Name	Date
Catarina Henriques	Catarina Henriques	17/01/2018
Reference	L1AAR.0655565	
Scale	units in mm	general tolerance
1:10	DO NOT SCALE	0.8mm
1st Angle projection	FC L1AA. 596X506X610	

