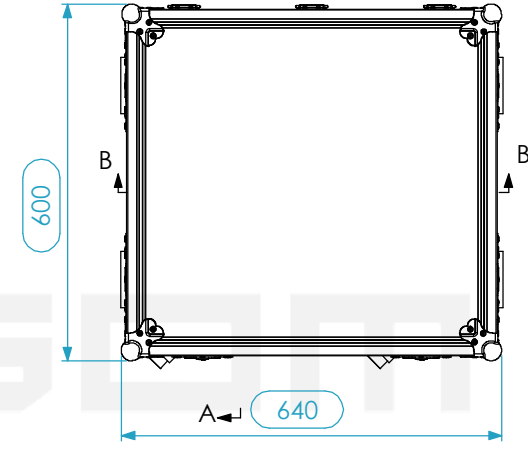
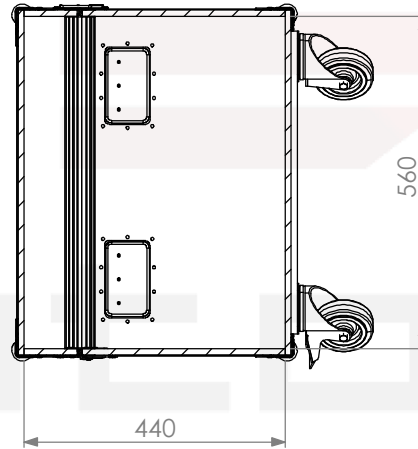
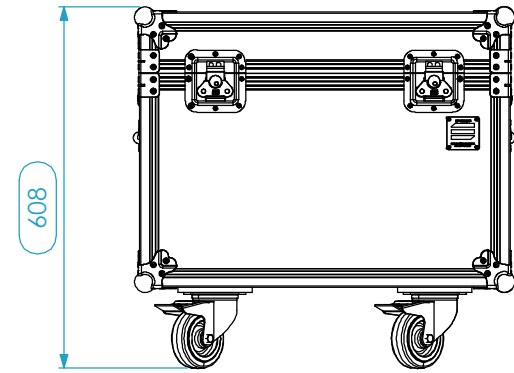
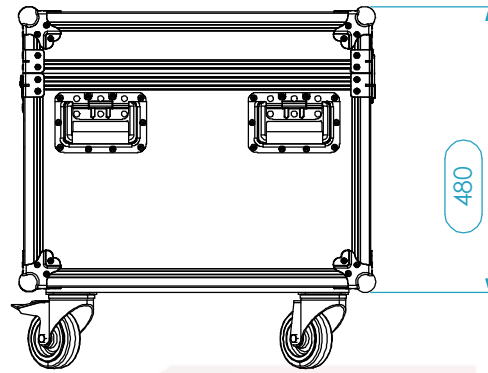
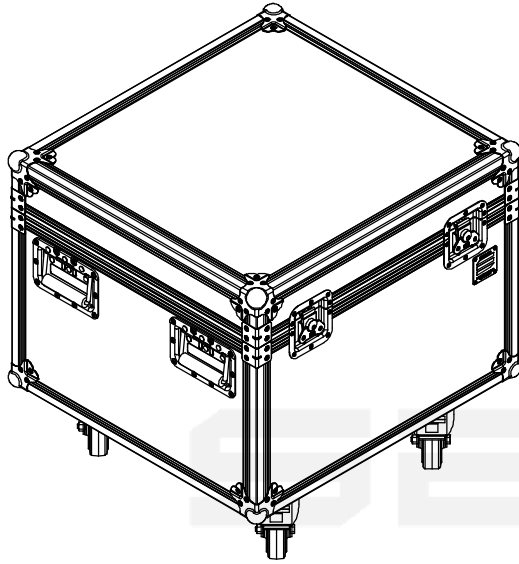


Internal Dimensions		
Width	Depth	Height
596	556	440
<b>Weight</b>	Approx. 22 Kg	
<b>Wall Thickness</b>		10mm



SECTION A-A

SECTION B-B

Hardware		
Qty	Ref.	Description
8	410429	Heavy Duty Ball Corner
8	40403	Large corner bracket f. 35mm case angle
2	RODA.100T	Swivel castor Ø100mm with brake
2	RODA.100	Swivel castor Ø100 mm
4	34082	Recessed Sprung Handle Medium
2	17290S	Key lockable medium Butterfly special
3	2524	Heavy Duty Strut Hinge
2	R1.060	Whells Feet for 600mm cases

This drawing must not be copied or disclosed without consent of the owner

Drawn by	Name	Date
Catarina Henriques		10/01/2018
Reference	L1AAR.0646048	
Scale	units in mm	general tolerance
1:9	DO NOT SCALE	0.8mm
FC	L1AA.596X556X440	

