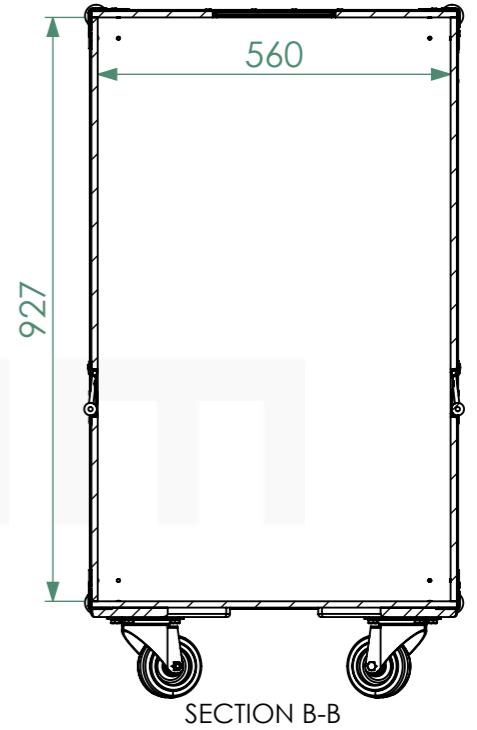
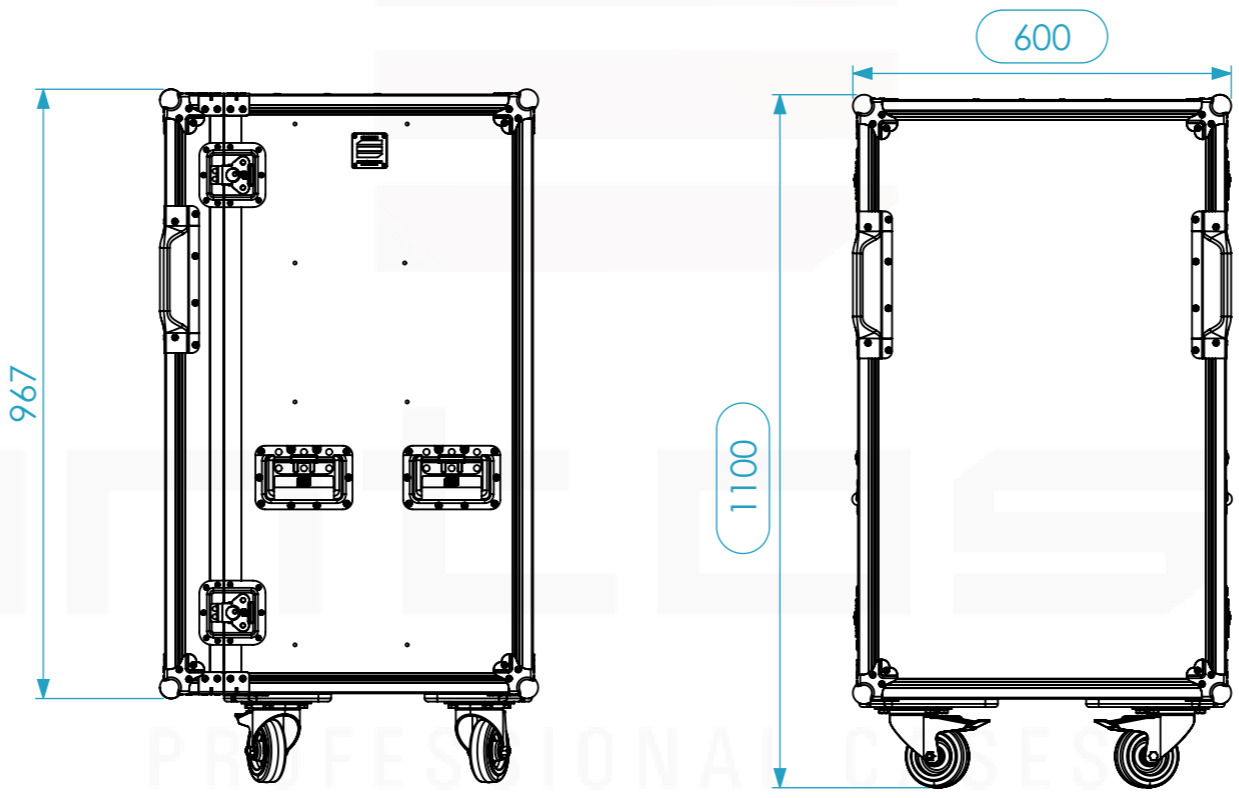
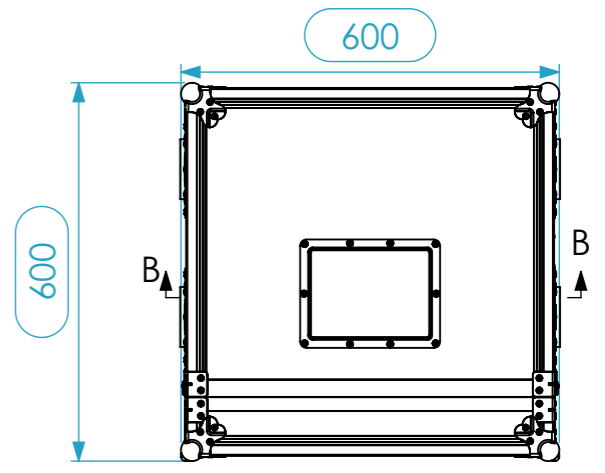


Internal Dimensions		
Width	Depth	Height
556	556	896
Weight	Approx. 30 Kg	
Wall Thickness		10mm



This drawing must not be copied or disclosed without consent of the owner

Drawn by	Name	Date
CarlaSilva	CarlaSilva	25/07/2019
Reference	L12CR.0606020U	
Scale	units in mm	general tolerance
1:12	DO NOT SCALE	0.8mm
FC L1CR. 600x600x20U, Rodas		



A3

