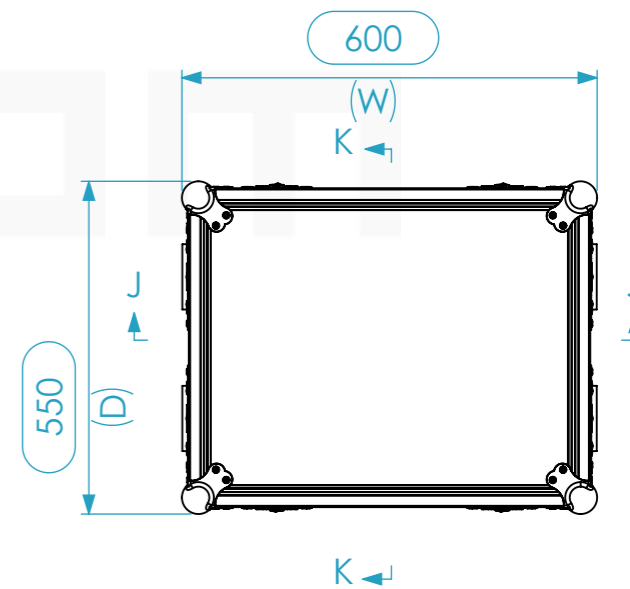
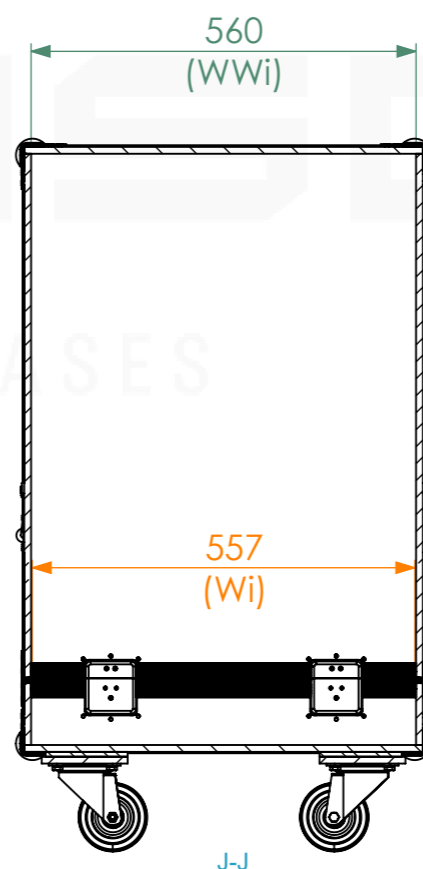
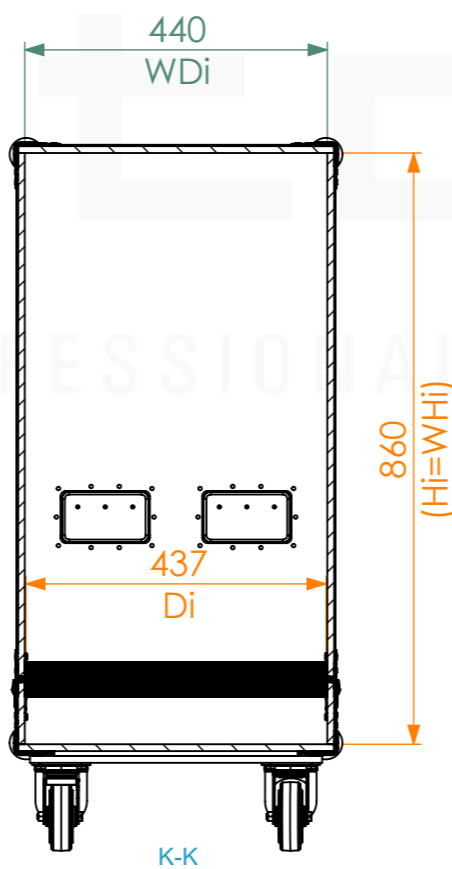
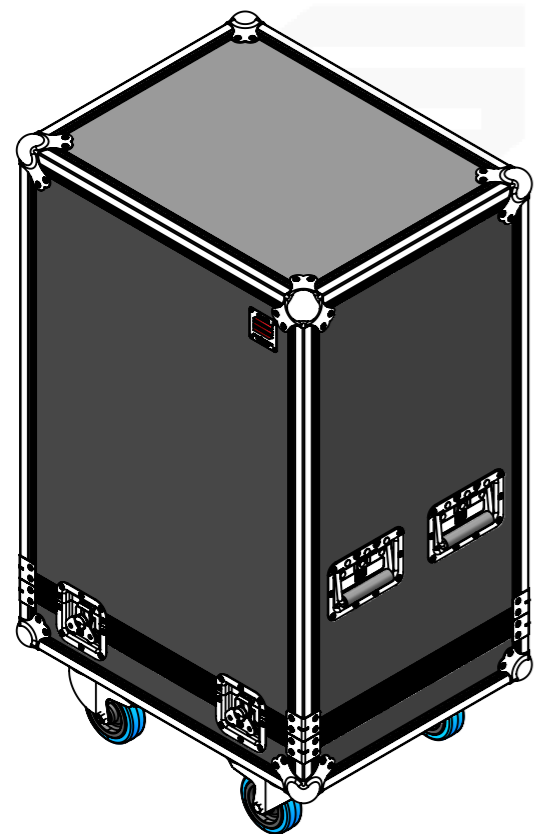
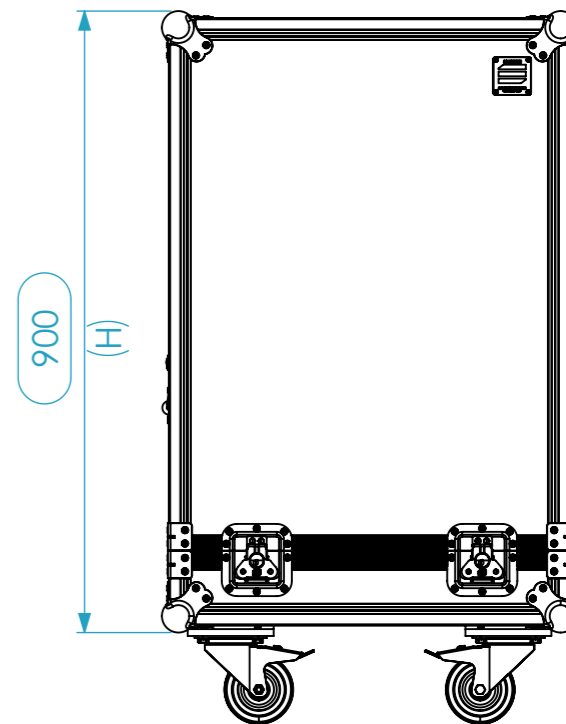
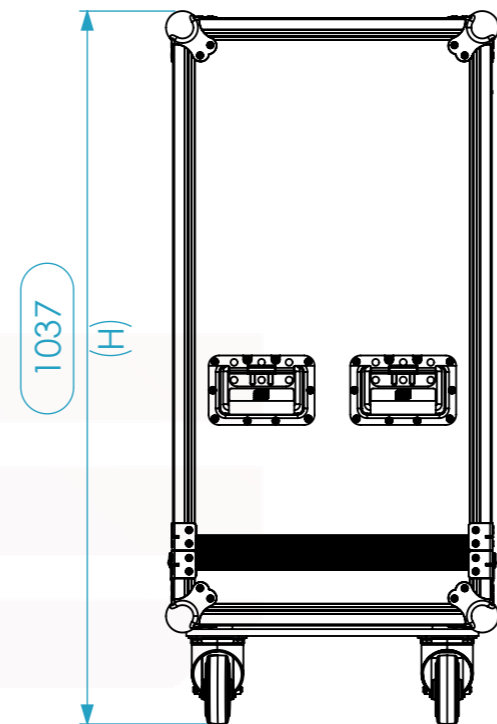
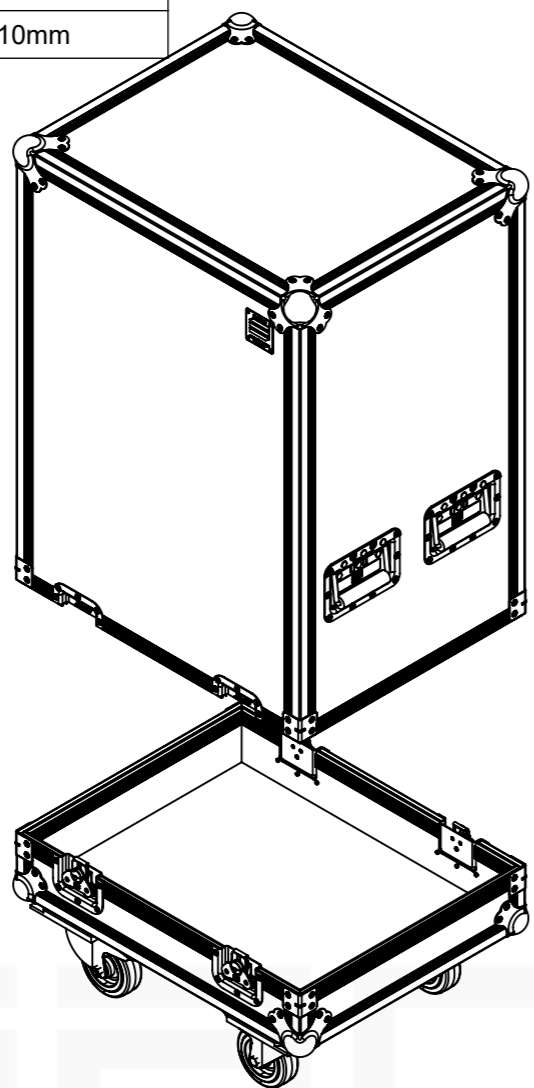


### Internal Dimensions

<b>Width</b>	<b>Depth</b>	<b>Height</b>
556	436	860
<b>Weight</b>	Approx. 7 Kg	
<b>Wall Thickness</b>	10mm	



General External Dimensions		Usable Inner Dimensions (UID)		Wood Inner Dimensions (WID)	
W	Width	Wi	Inside Width	WWi	Wood Inside Width
D	Depth	Di	Inside Depth	WDi	Wood Inside Depth
H	Height	Hi	Inside Height	WHi	Wood Inside Height

This drawing must not be copied or disclosed without consent of the owner

Name	Date
projects	25/11/2020
Reference	L12BR.0604890
Scale	1:1
units in mm	general tolerance 0.8mm
DO NOT SCALE	
Flight case 600X480X890	



A3

