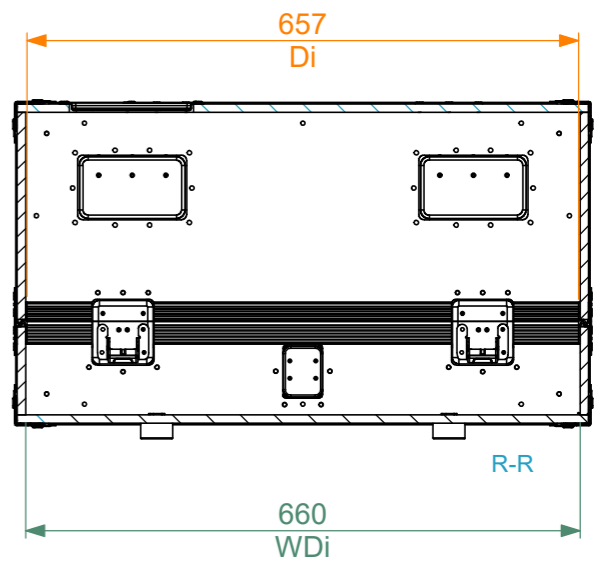
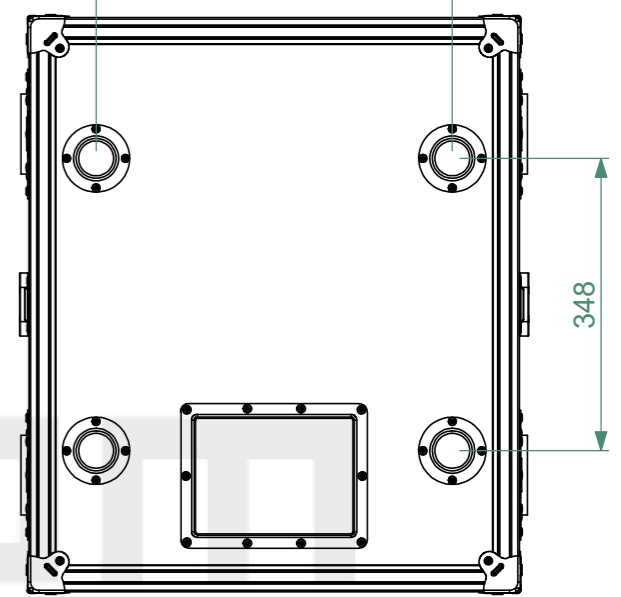
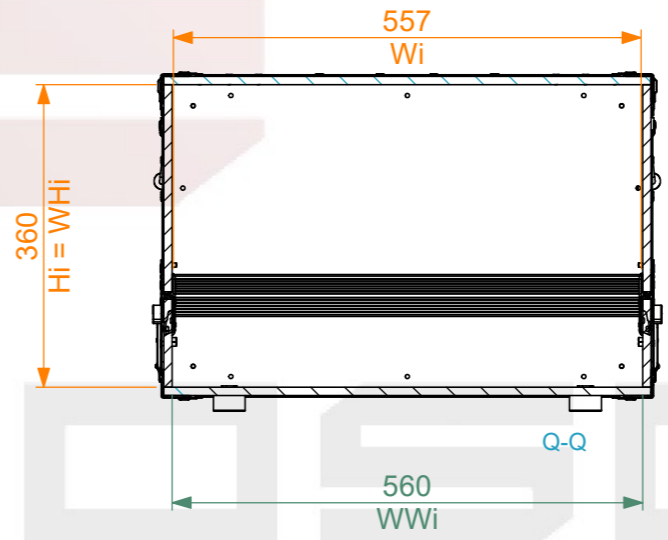
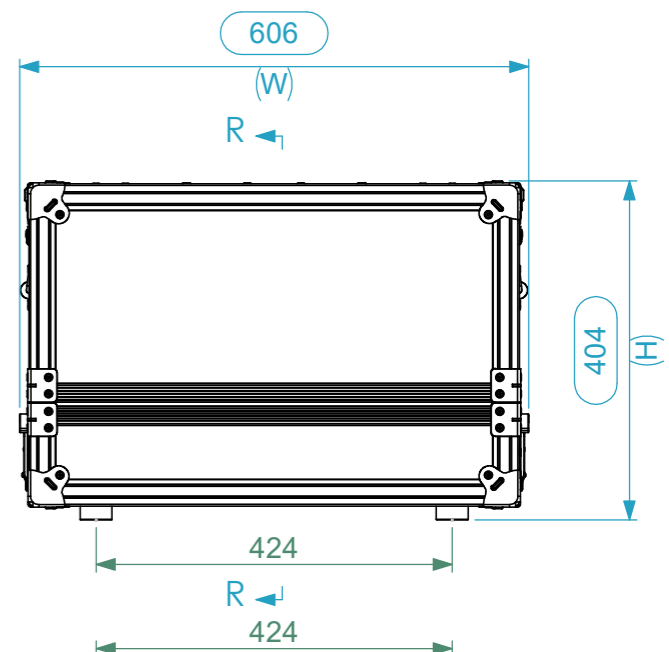
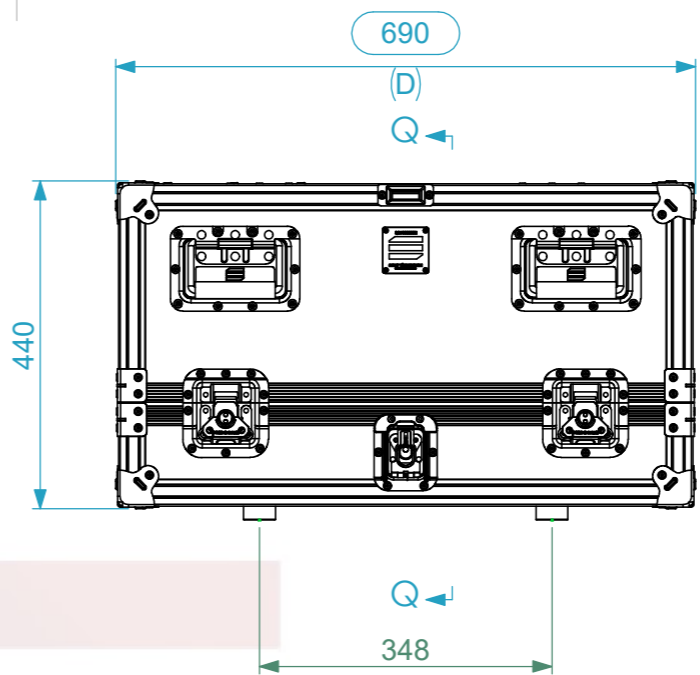
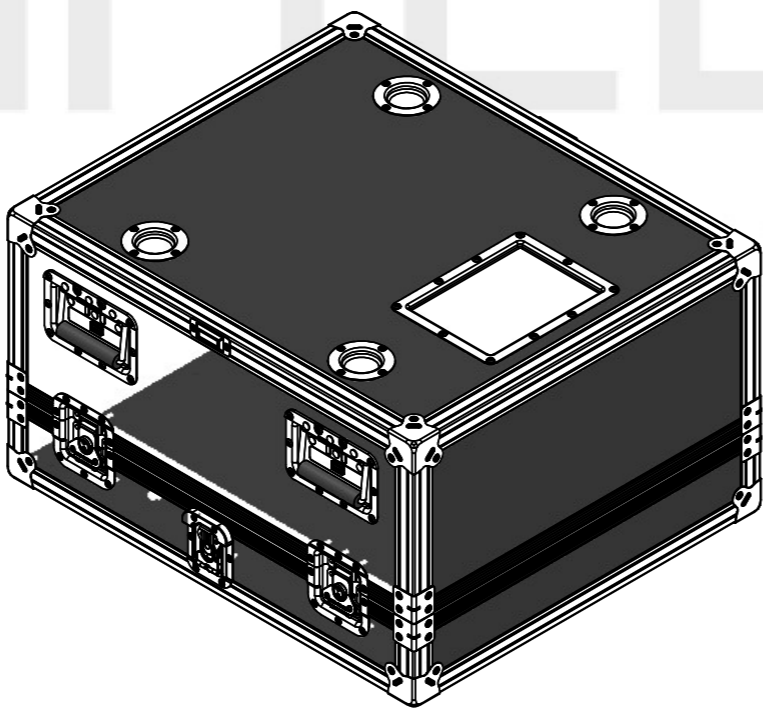
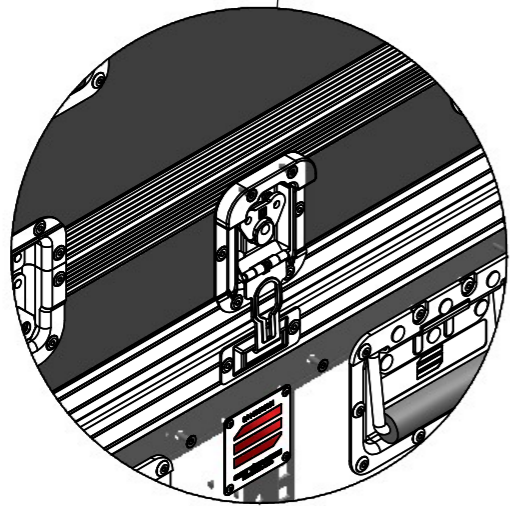
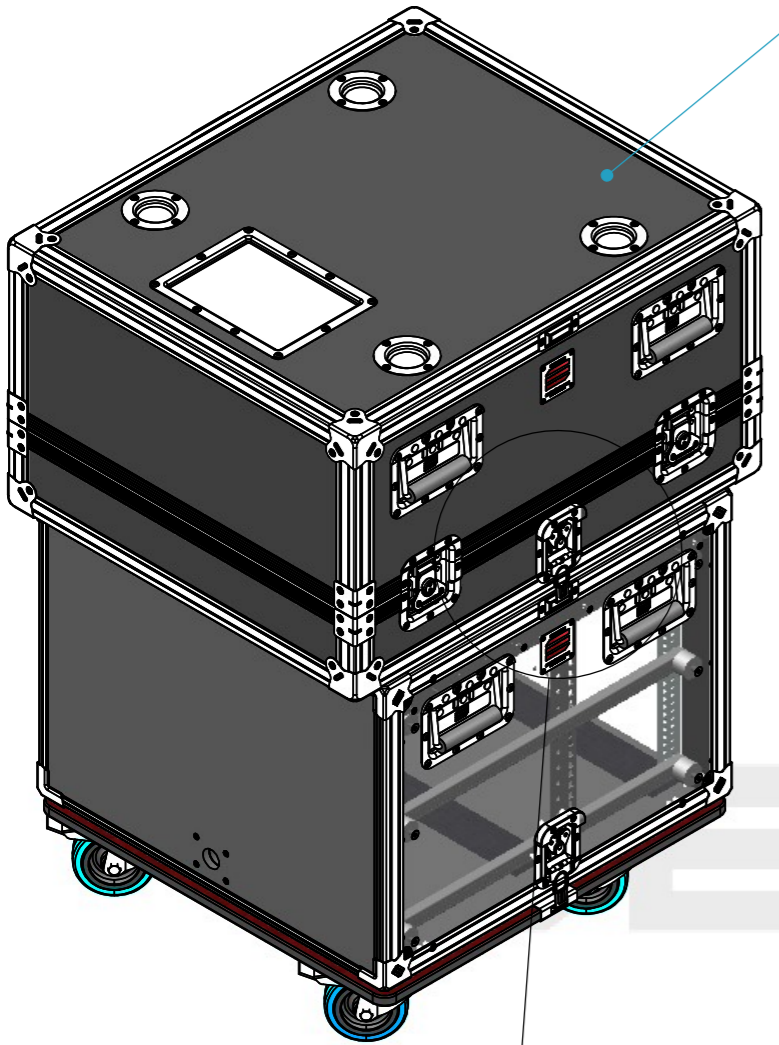


Internal Dimensions		
Width	Depth	Height
600	700	400
Weight	Approx. 17 Kg	
Wall Thickness	10mm	

STACKING WITH A RCS RACK (600 mm DEPTH)



General External Dimensions		Usable Inner Dimensions		Wood Inner Dimensions	
W	Width	Wi	Inside Width	WWi	Wood Inside Width
D	Depth	Di	Inside Depth	WDi	Wood Inside Depth
H	Height	Hi	Inside Height	WHi	Wood Inside Height

Drawn by	Name	Date
jose.couto	jose.couto	19/06/2026
Reference	L12B.RCS.0706034	
Scale	units in mm	general tolerance
1:9	DO NOT SCALE	0.8mm
FC L12B_656x556x296		
c/ Acoplamento em Rack RCS		



This drawing must not be copied or disclosed without consent of the owner

A3

