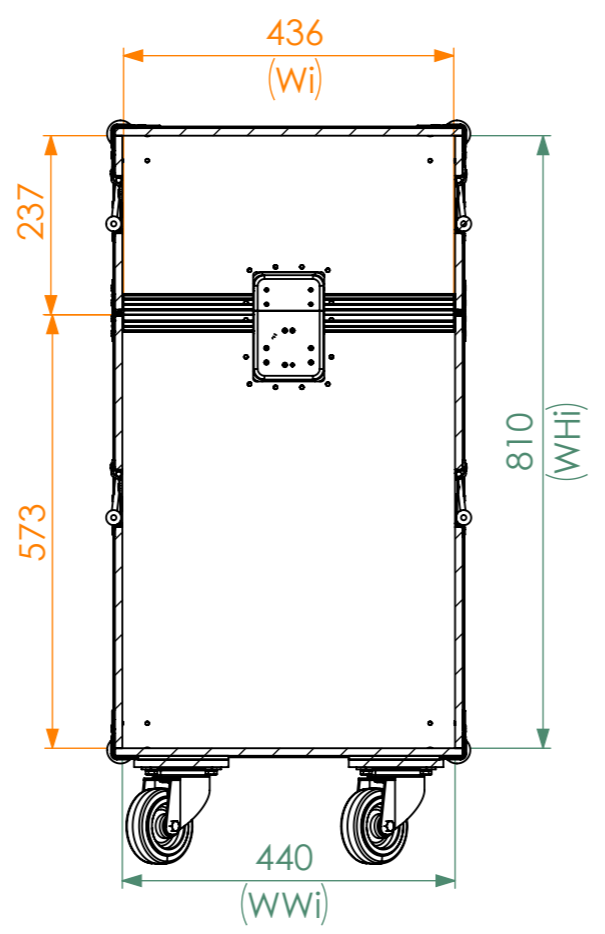
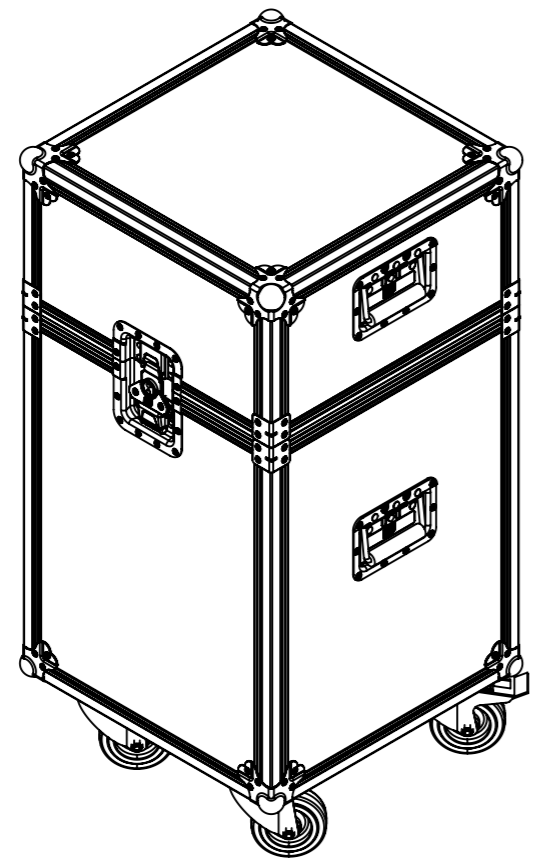
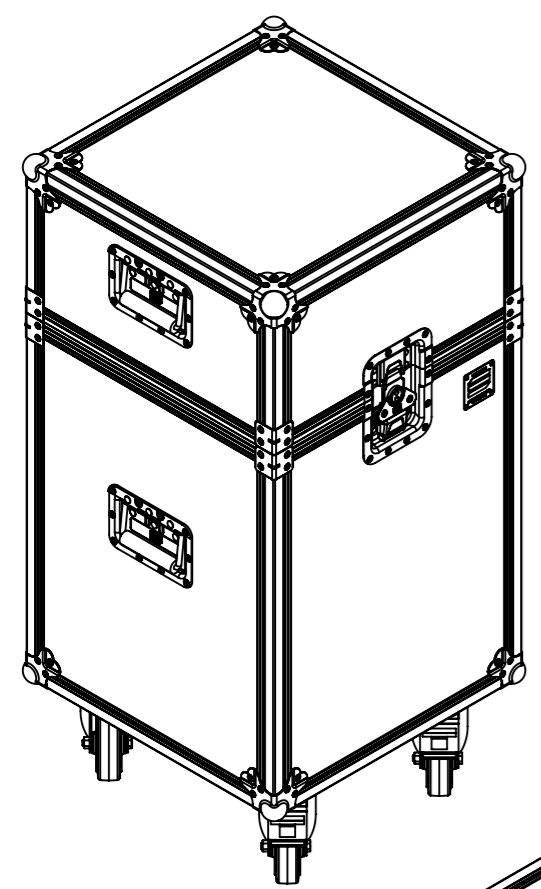
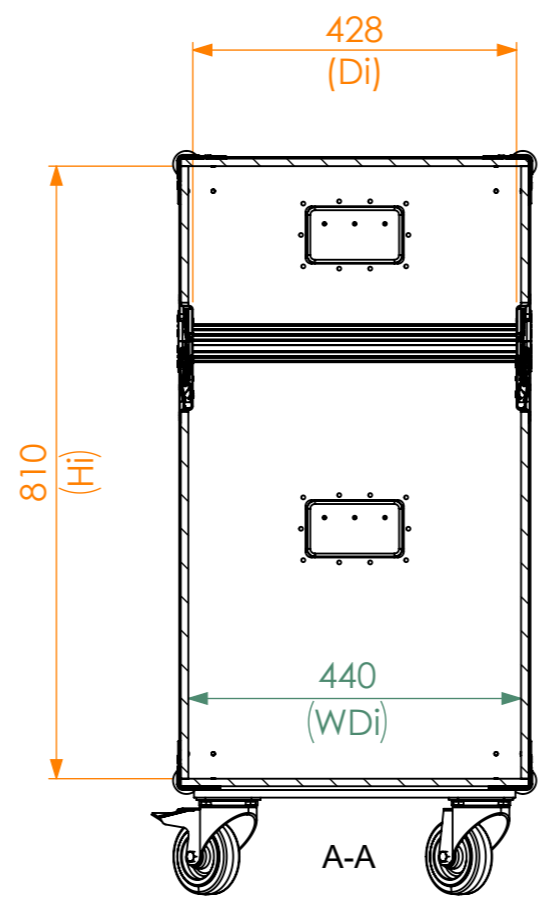
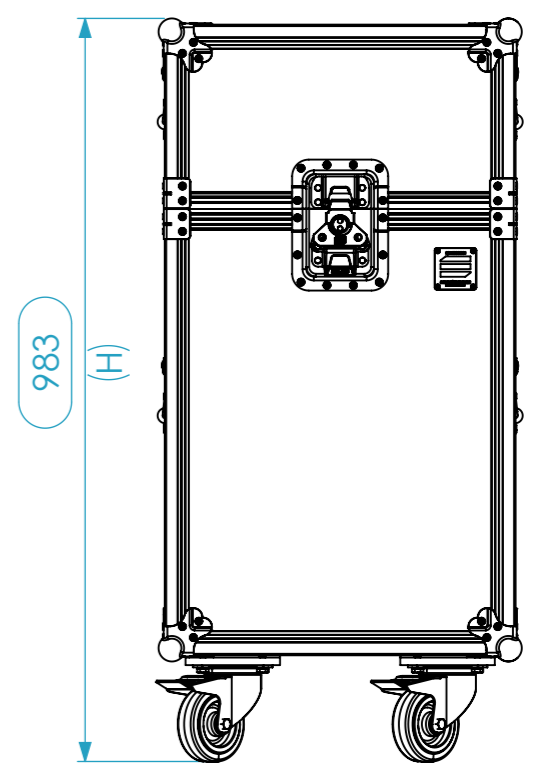
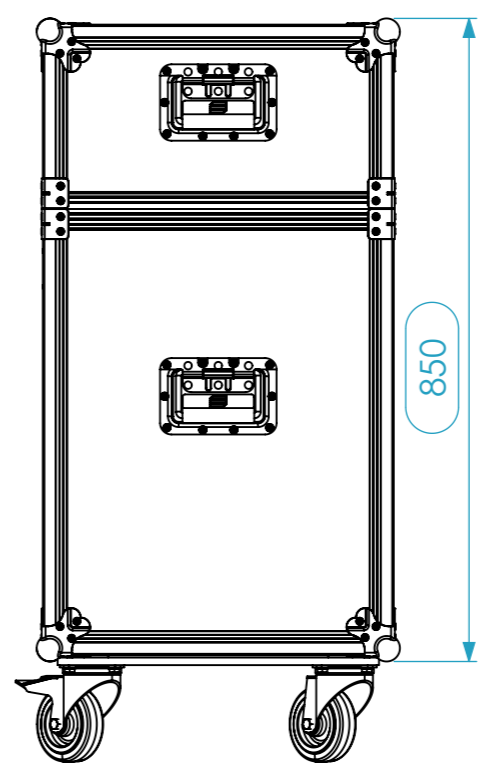


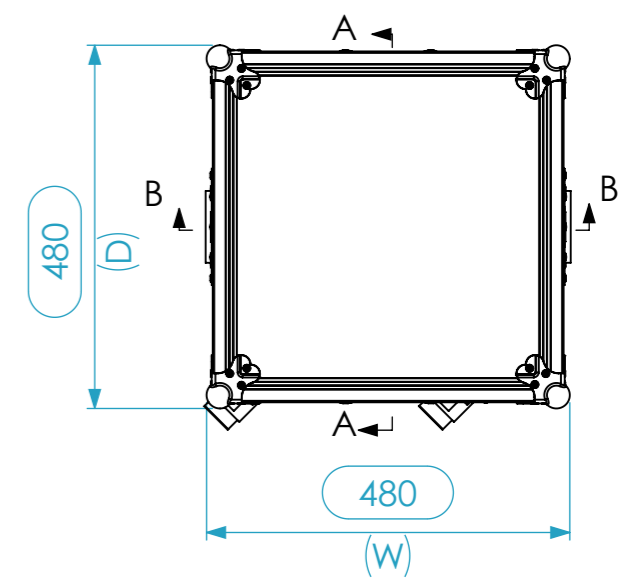
Internal Dimensions		
Width	Depth	Height
436	436	810
Weight	Approx. 23 Kg	
Wall Thickness	10mm	



B-B



A-A



General External Dimensions		Usable Inner Dimensions (UID)		Wood Inner Dimensions (WID)	
W	Width	Wi	Inside Width	WWi	Wood Inside Width
D	Depth	Di	Inside Depth	WDi	Wood Inside Depth
H	Height	Hi	Inside Height	WHi	Wood Inside Height

Material	Name	Date
	alexandre	24-09-2019
Reference	L12AR.0484885R3	
This drawing must not be copied or disclosed without consent of the owner	Scale	units in mm
	1:10	DO NOT SCALE
	FC L12AR, 436x436x810 Rêgua 240, Rodas	

