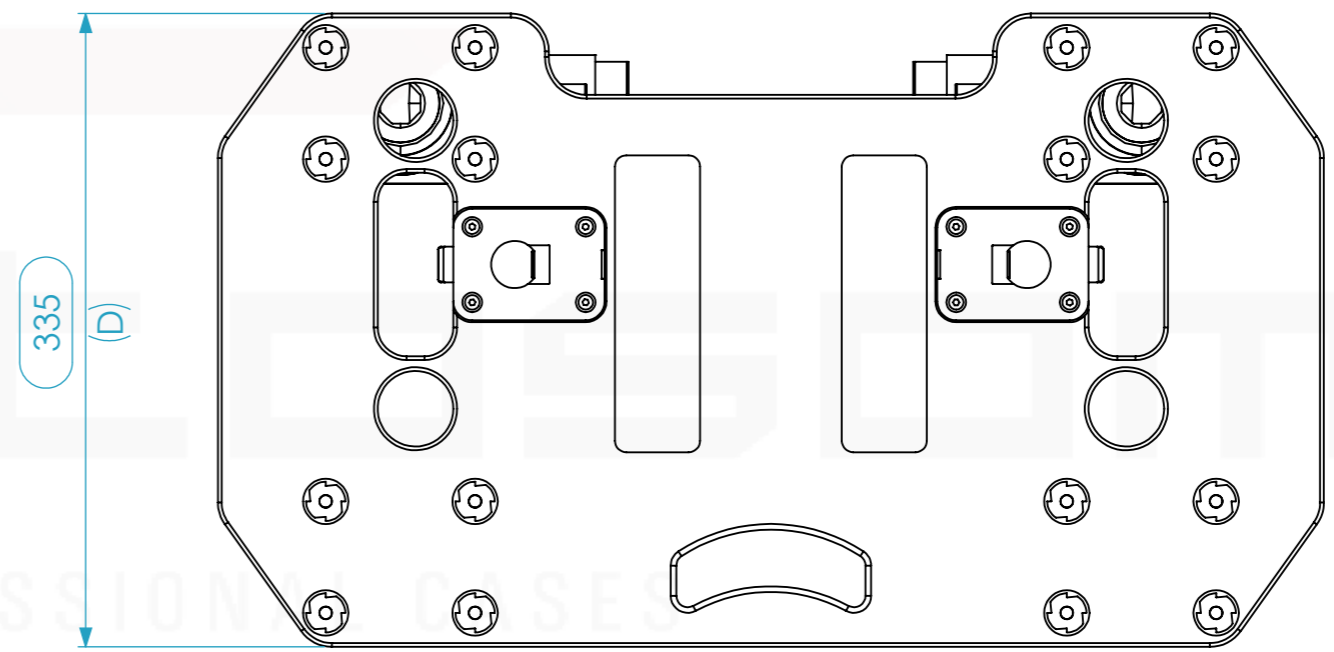
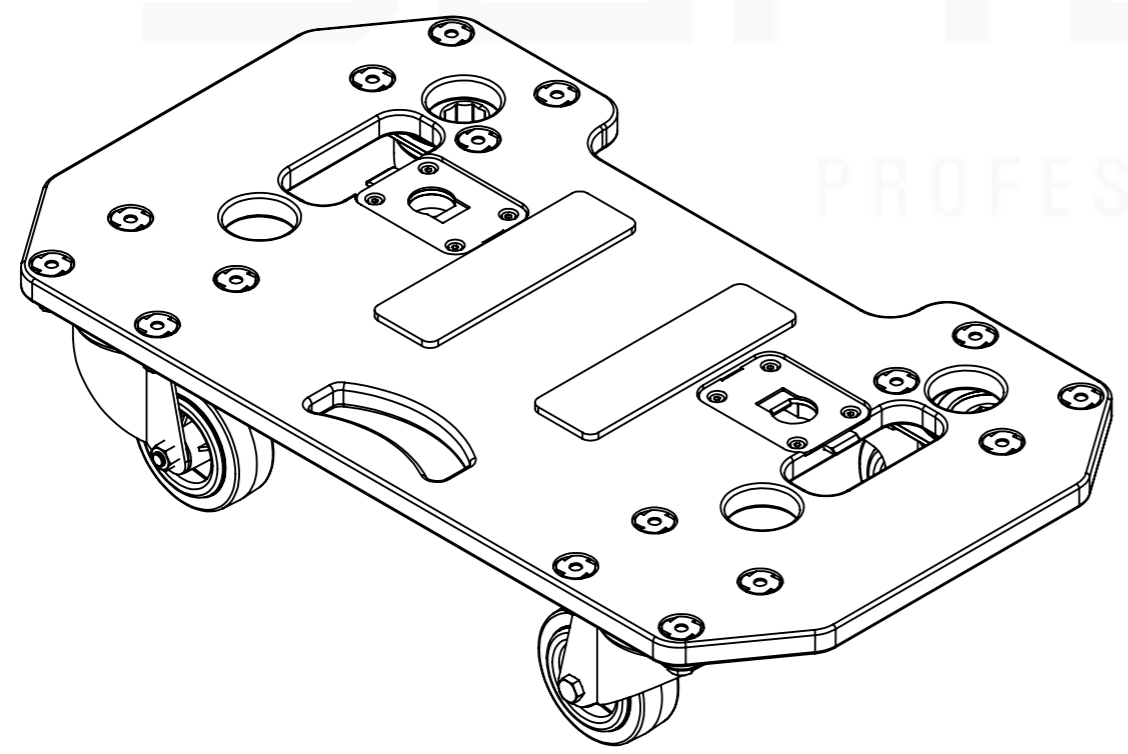
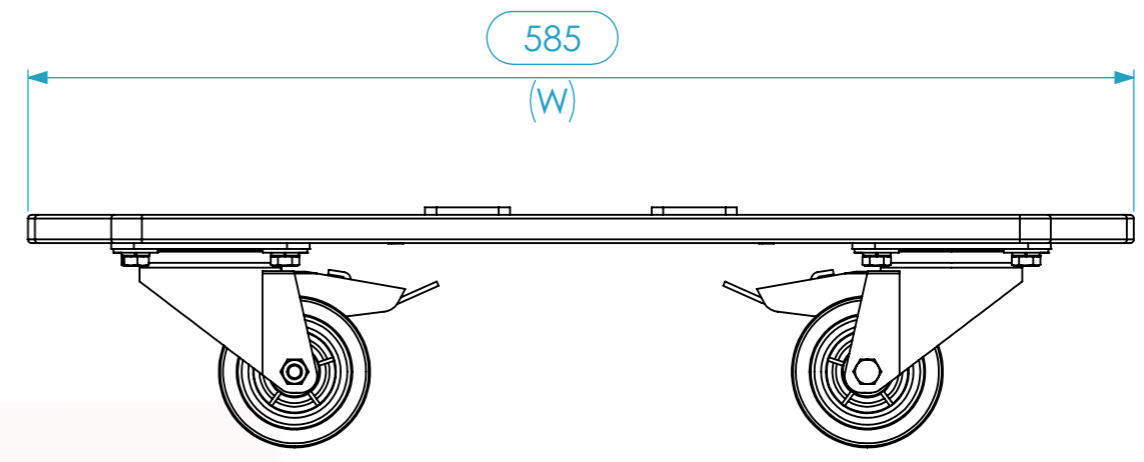
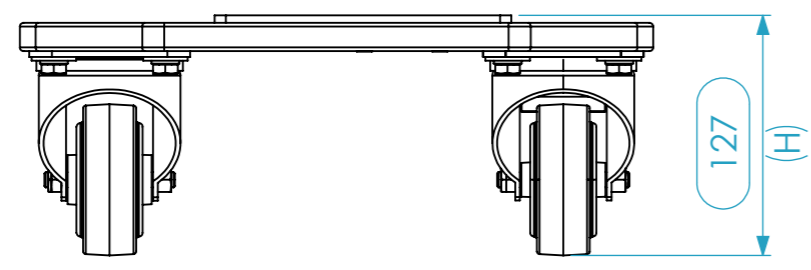


Weight	Approx. 4 Kg
Wall Thickness	15mm



Drawn by	Name	Date
jose.couto	jose.couto	30/06/2025
Reference	KR4.06034	
Scale	units in mm	general tolerance
1:4	DO NOT SCALE	0.8mm
Kit de suporte c/ 4 rodas 80mm (2c/ trv) p/ 600x340		



This drawing must not be copied or disclosed without consent of the owner

A3

