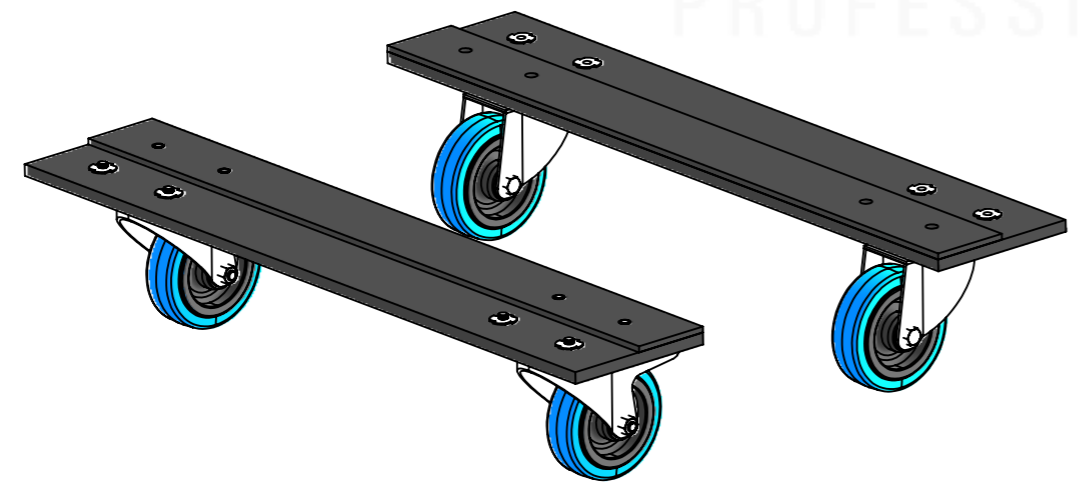
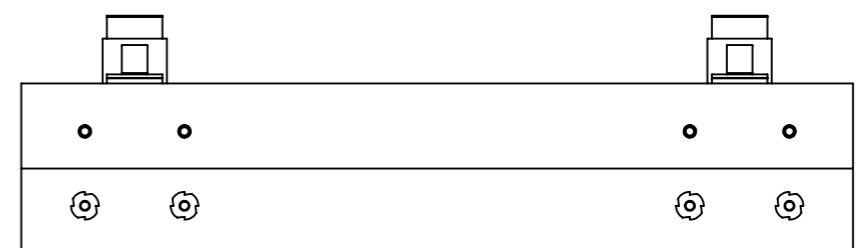
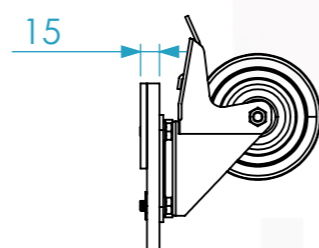
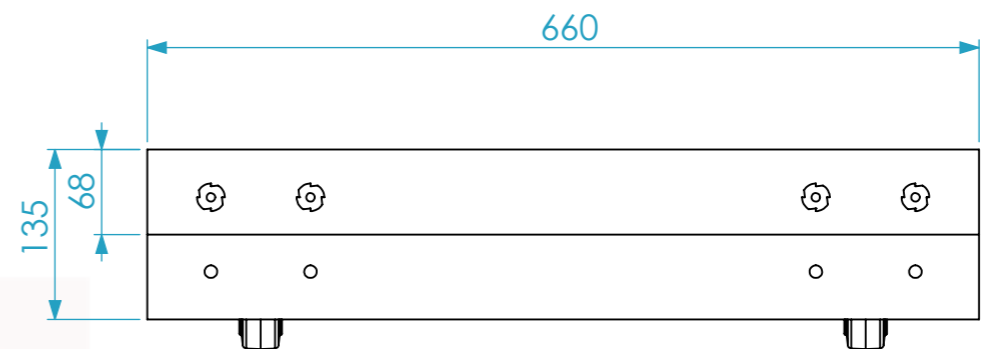
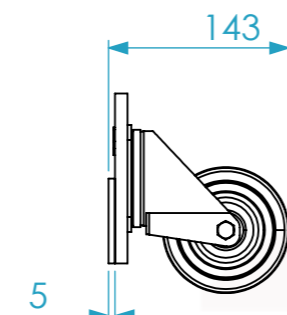


Dimensions

Width	Depth	Height
660	135	-
Weight	Approx. 4.80 Kg	
Wall Thickness		15 mm



General External Dimensions	
W	Width
D	Depth
H	Height

Name	Jose Couto	Date	02/03/2023
Reference	KR2.075		
Scale	1:6	units in mm	DO NOT SCALE
		general tolerance	0.8mm
Kit de 2 suportes e 4 rodas 100mm (2c/ trv)			



This drawing must not be copied or disclosed without consent of the owner



A3